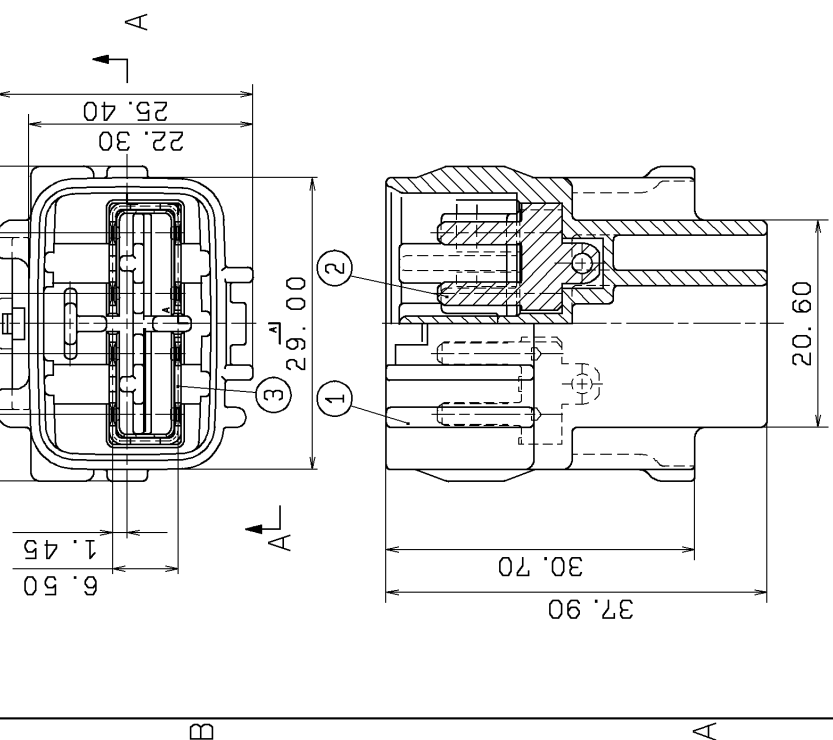


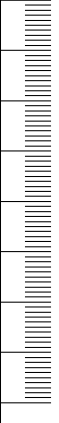
NO.	YAZAKI PART NO.	PART NAME	NUM.	REMARKS
①	7182-1481-10	090 II 8P SEALED SHORT CONNECTOR	1	PBT(DARK GRAY)
②	7114-9606-02	090 II SEALED SHORT PIN 4P	1	C2680R-H t=0.64(TIN PLATE)
③	7114-9607-02	090 II SEALED SHORT PIN 4P	1	C2680R-H t=0.64(TIN PLATE)



NOTES  
 1) MATING PART NO.: 7283-1081

注 記  
 1) 嵌合相手品番: 7283-1081

LET	DATE	REVISION RECORD	NO.	CUSTOMER	CUSTOMER PART NO.	CUSTOMER DWG NO.	MATL. SPEC.	SEE TABLE	TREAT. & FIN.	ISSUE MARK
	96.09.19	NEW	C96-U067	I. A				NAME	090 II 8P SEALED SHORT CONNECTOR (4P*2)	
				CHKD				TRIAL PART NO.		
				VENDOR						
				VENDOR NO.						
				DWG TYPE	DWG SOURCE	DWG DATE	UNIT	SCL	ANGLE	PART NO.
				R	NEW	96.09.19	mm	2/1	3	7382-1481-10
				APPROVED	CHECKED	CHECKED	DESIGN	DRAWN		DWG NO.
				角田			SEKI	ASA1		7382-1481-10:R
				角田						
				96.09.20	96.09.20	92.05.28	96.09.19			YAZAKI CORPORATION
				11.4 g						



3

2

1

B

B

A

A

SEC. A-A

1

2

3