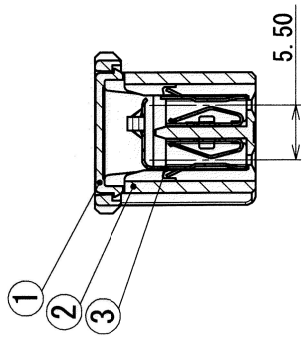
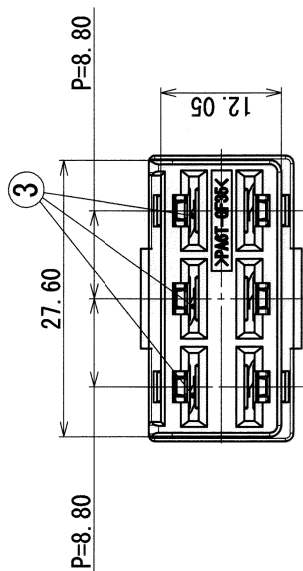
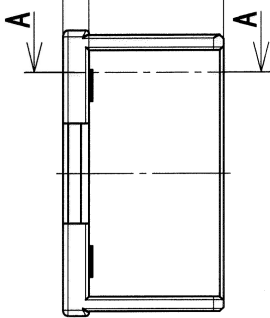
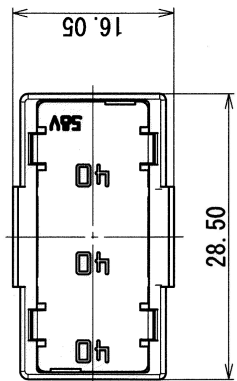


3

2

ASSEMBLY PART NO. AND CH. CODE	NO.	PART NO. AND CH. CODE	PART NAME	MATERIAL	COLOR	QTY.
7327-6164, [A] (40A-40A-40A)	①	7158-9209	COVER	PES	NATURAL	1
	②	7183-9750-60	HOUSING	PAG-T	GREEN	1
	③	7227-6126	ELEMENT SUB ASSEMBLY 40A	COPPER ALLOY	—	3



注記
1. 嵌合相手端子品番: 7114-2876

NOTE
1. MATING TERMINAL PART NO.: 7114-2876

SEC. A-A

GENERAL TOLERANCE										
	10 MAX	50 MAX	100 MAX	250 MAX	RS MAX	R10 MAX	R20 MAX	R20 OVR	ANGLE	ECCENT
A	±0.15	±0.2	±0.3	±0.5	±0.75	±0.3	±0.5	±2.5	±3°	0.1
B	±0.2	±0.3	±0.55	±0.95	±1.4	±0.2	±0.3	±0.5	±3°	0.1
C	±0.3	±0.5	±0.8	±1.4	±2				±3°	0.15

LET	DATE	REVISION RECORD	NEW, [A]	C07-Z084	K. T	CUSTOMER PART NO.	CUSTOMER DNG NO.	TRIAL PART NO.	NAME	PART NO.	CH. CODE	DWG NO.	SET DWG NO.
	2007/02/05								HIGH CURRENT FUSE LINKS (大電流ヒューズ)	7327-6164, [A]		7327-6164:R	
SPECIFIED													
GENERAL TOLERANCE													
A	10MAX	50MAX	100MAX	250MAX	RS MAX	R10 MAX	R20 MAX	R20 OVR	ANGLE	ECCENT	TREAT. & FIN.		
	±0.15	±0.2	±0.3	±0.5	±0.75	±0.3	±0.5	±2.5	±3°	0.1	ISSUE MARK		
B	±0.2	±0.3	±0.55	±0.95	±1.4	±0.2	±0.3	±0.5	±3°	0.1			
C	±0.3	±0.5	±0.8	±1.4	±2				±3°	0.15			
MATERIAL													
SPEC. SEE TABLE													
DRAWN N. OHASHI M. MORAL													
DESIGN 渡井													
CHECKED													
DNG DATE 2007/02/02													
UNIT mm													
SCALE 2:1													
ANGLE 3													
PART NO. 7327-6164, [A]													
CH. CODE													
DWG NO. 7327-6164:R													
SET DWG NO.													
YAZAKI CORPORATION													
DATE 07.02.05 2005/09/14 2007/02/05													

3

2

1