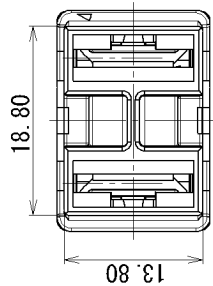
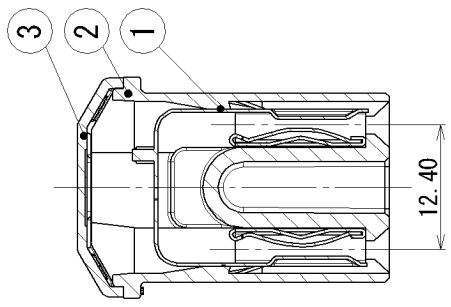
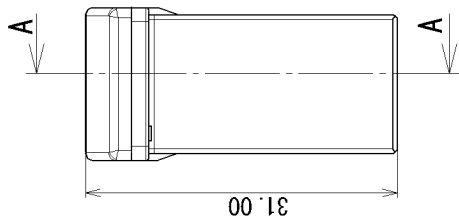
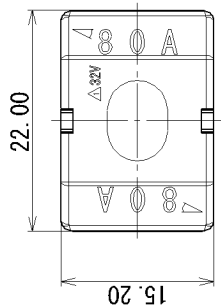


ASSEMBLY PART NO. AND CH. CODE	NO.	△ PART NO. AND CH. CODE	PART NAME	MATERIAL	COLOR	QTY.
△ 7327-6123, A	①	7227-6123	△ HIGH CURRENT FUSE LINKS (大電流ヒューズ) A ₃ -TYPE FUSE ELEMENT SUB ASSEMBLY 80A	COPPER ALLOY	—	1
	②	7123-3923-30	△ HIGH CURRENT FUSE LINKS (大電流ヒューズ) A ₃ -TYPE HOUSING 80A	△ PA6T-G	BLACK	1
	③	7157-8043	△ HIGH CURRENT FUSE LINKS (大電流ヒューズ) COVER 80A	PES	—	1



- 注記
- △ 1. かん合相手オス端子サイズ: 9.5mm.
 - △ 2. カバーの保持力は、49N以上とする。
 - △ 3. 端子の保持力は、98N以上とする。

- NOTES
- △ 1. MATING PAIR OF MALE TERMINAL SIZE: 9.5mm.
 - △ 2. COVER RETENTION FORCE: 49N OR OVER.
 - △ 3. TERMINAL RETENTION FORCE: 98N OR OVER.

LET	DATE	REVISION RECORD	NO.	CHKD	OFFICE	VENDOR	VENDOR NO.	DWG TYPE	DWG SOURCE	CHECKED	DESIGN	DRAWN	DWG DATE	UNIT	SCALE	ANGLE	PART NO. CH. CODE	DWG NO.	SET DWG NO.
△	2013/04/23	ADDITION OF RATED VOLTAGE ETC.	A	A. Q				R	NEW				1998/01/08	mm	2:1	3	7327-6123, A		
	1998/01/08	NEW	G. N	G. N															
A	±0.15	±0.2	±0.3	±0.5	±0.75	±30'	O. 1												
B	±0.2	±0.3	±0.55	±0.95	±1.4	±30'	O. 1												
①	±0.3	±0.5	±0.8	±1.4	±2	±30'	O. 15												
GENERAL TOLERANCE																			
SPECIFIED																			
					CUSTOMER PART NO.	CUSTOMER DWG NO.		DWG TYPE		DWG SOURCE		DWG DATE		UNIT		SCALE		ANGLE	
					OFFICE	TRIAL PART NO.		R		NEW		1998/01/08		mm		2:1		3	
					VENDOR			S. ONODA		CHECKED		DESIGN		H. HANAZAKI		DRAWN		A. QUIROL	
					VENDOR NO.			2013/04/23		CHECKED		DESIGN		1994/02/14		DRAWN		2013/04/23	
					MATERIAL SPEC.			SEE TABLE			TREAT. & FIN.								
					NAME										HIGH CURRENT FUSE LINKS (大電流ヒューズ) A ₃ -TYPE 80A				
					ISSUE MARK														

YAZAKI CORPORATION