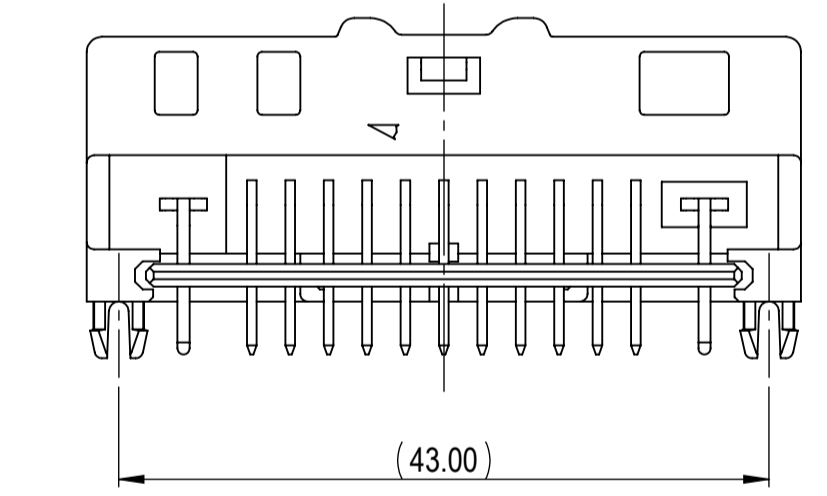
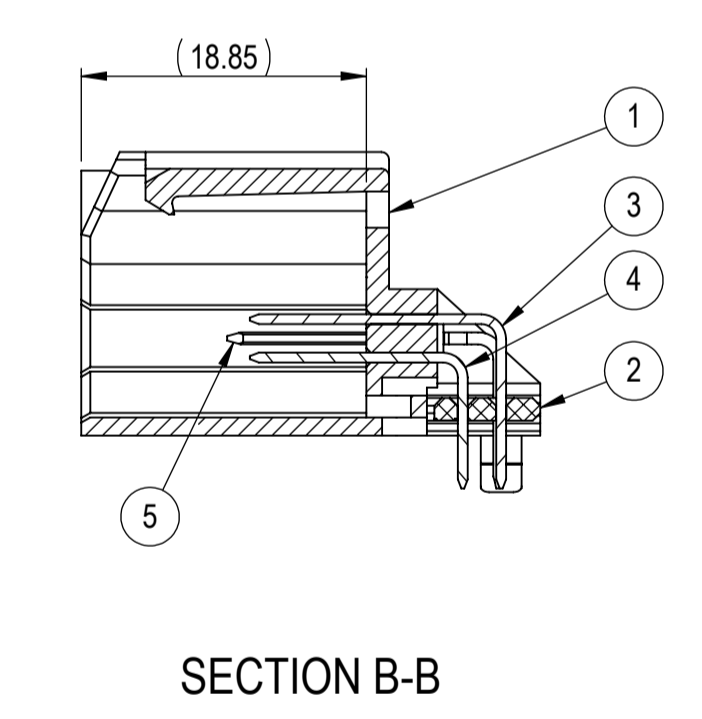
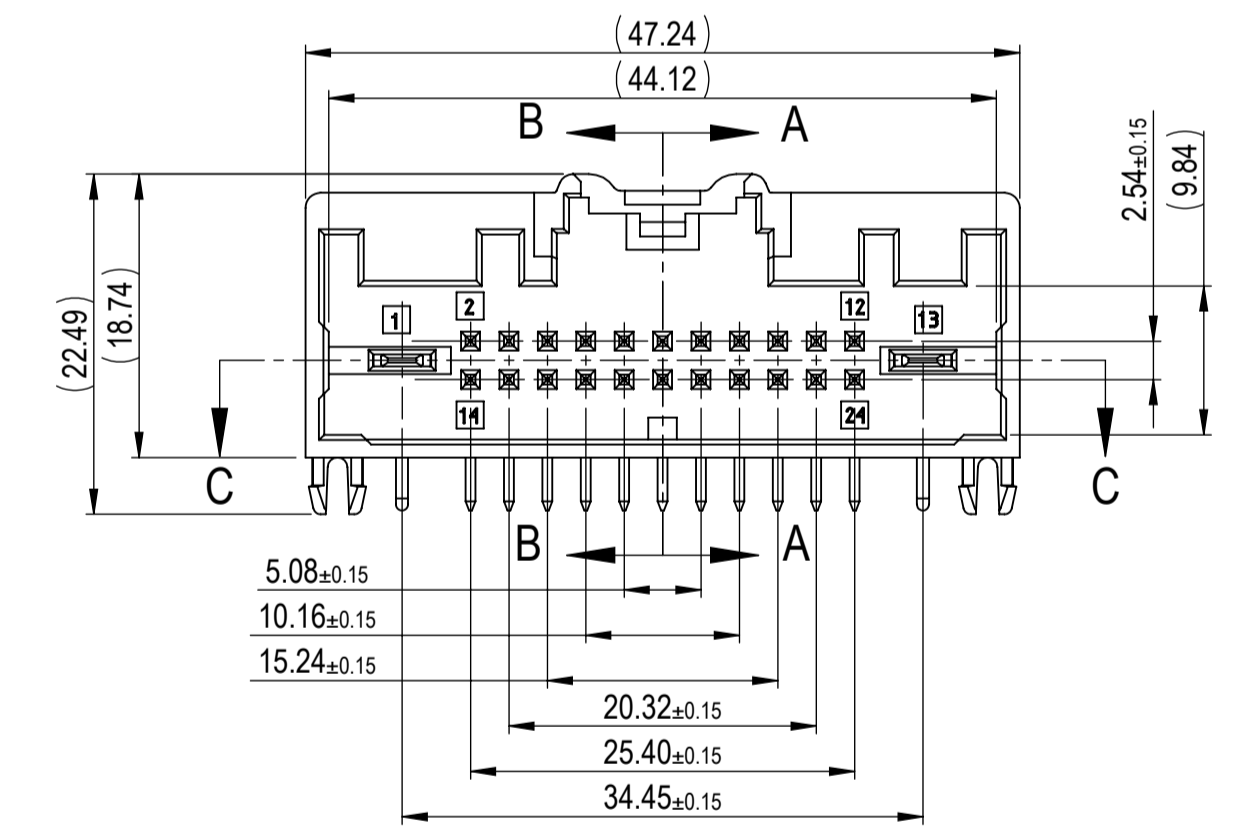
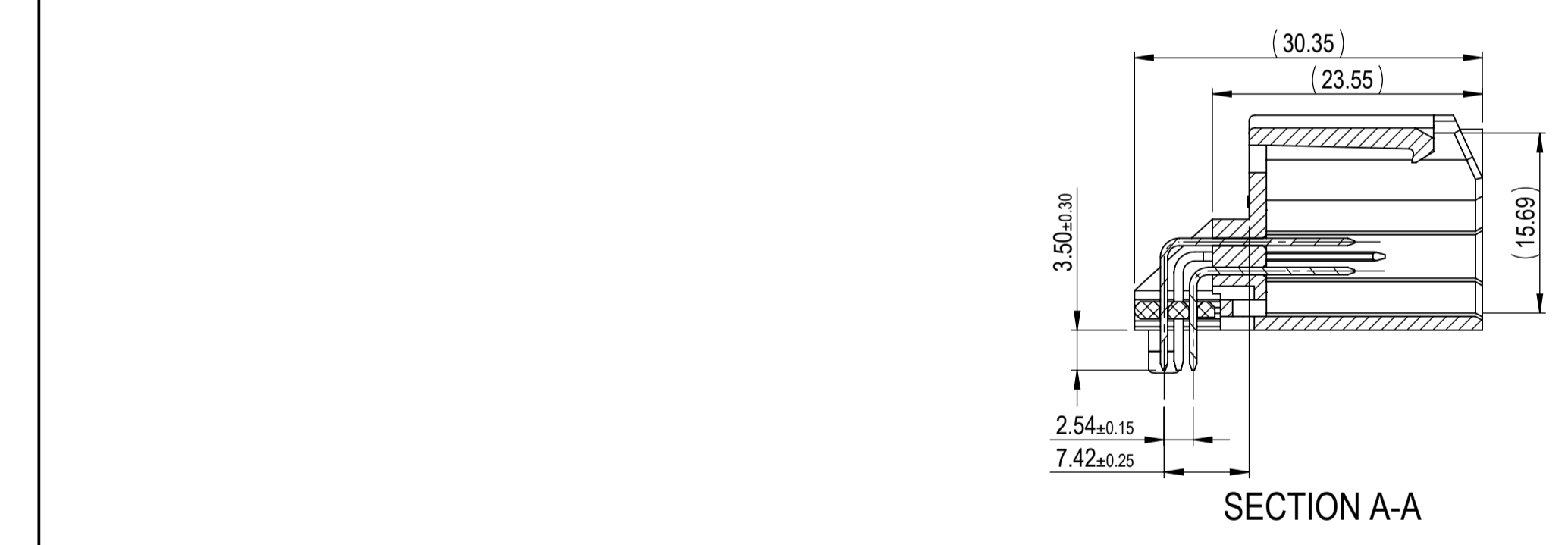
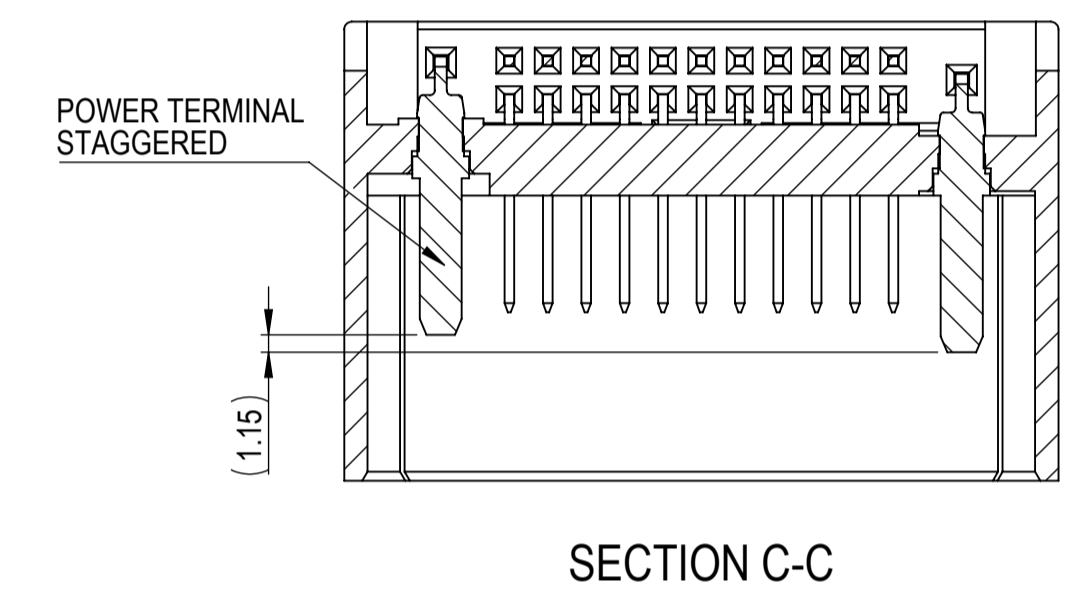
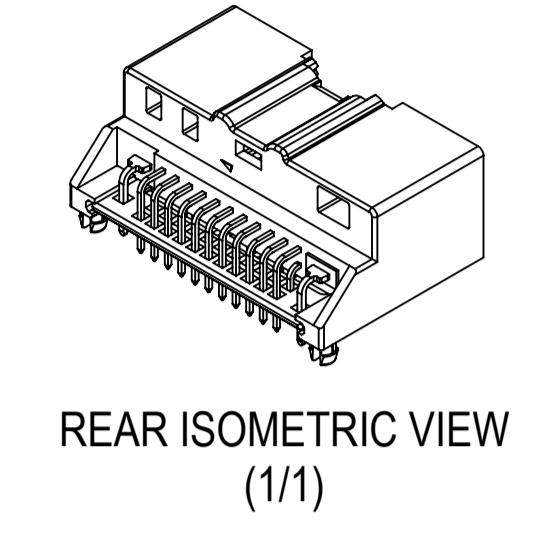
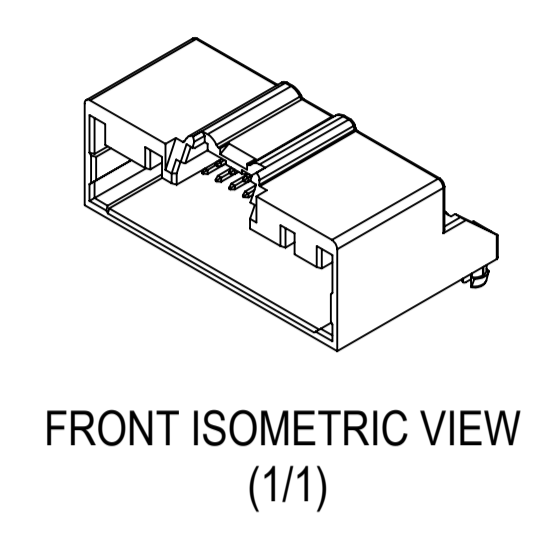


ASSEMBLY PART NUMBER	NO.	PART NUMBER	PART NAME	MATERIAL	COLOR	QTY.
7325-4409	1	7125-4409	24P HYBRID 2x2.8 YESC + 22x0.64 TYCO GEN Y UNSEALED PCB MALE (H) HOUSING	PS-ST-GF30	NATURAL	1
	2	7173-5105-30	24P HYBRID 2x2.8 YESC + 22x0.64 TYCO GEN Y UNSEALED PCB MALE (H) ALIGNMENT PLATE	PS-ST-GF30	BLACK	1
	3	7114-5776-02	0.64 KAIZEN PCB (H) TERMINAL (Pb FREE) TYPE A	COPPER ALLOY	N/A	11
	4	7114-5777-02	0.64 KAIZEN PCB (H) TERMINAL (Pb FREE) TYPE B	COPPER ALLOY	N/A	11
	5	7114-5778-02	2.8 YESC (H) PCB TERMINAL (Pb FREE)	COPPER ALLOY	N/A	2



- NOTES:
- PARTS MUST BE PURCHASED FROM YAZAKI.
  - PARTS MUST BE FREE OF FLASH AND IMPERFECTIONS THAT AFFECT FUNCTION.
  - MATING PART NUMBER: 7287-2047-30
  - PART SATISFIES USCAR-2, REV 6, FEBRUARY 2013, (T2, V1, S1).
  - PART TO COMPLY WITH YPES-31-038 REQUIREMENTS
  - THIS DRAWING IS TO BE USED FOR INTERNAL YAZAKI PSW SUBMISSION.
  - M2.3x5 HEAD φ4.0 SCREW RECOMMENDED FOR OPTIONAL HOLE FOR SCREW HOLE MOUNTING FEATURE.
  - ACCEPTABLE PCB THICKNESS RANGE = 1.30 TO 1.80mm.

LET	DATE	REVISION RECORD	NO.	CHKD
-	02-27-2020	NEW	C20-A197	JM

GENERAL TOLERANCE										
A	±0.15	±0.2	±0.3	±0.5	±0.75	±0.2	±0.3	±0.5	±2.5	±3°
B	±0.2	±0.3	±0.55	±0.95	±1.4	±0.2	±0.3	±0.5	±2.5	±3°
C	±0.3	±0.5	±0.8	±1.4	±2	±0.2	±0.3	±0.5	±2.5	±3°
SPECIFIED										MASS (11.9) g

CUSTOMER		CUSTOMER DWG NO.		MTRL SPEC.		SEE TABLE		TREAT. & FIN.		N/A	
OFFICE YNA		TRIAL PART NO.		NAME		24P HYBRID 2x2.8 YESC + 22x0.64 TYCO GEN Y		PART NO.		7325-4409	
VENDOR		VENDOR NO.		DWG DATE		02-27-2020		CH. CODE		7325-4409:R	
APPROVED		CHECKED		DESIGN		DRAWN		DWG NO.		7325-4409:R	
JACKSON MATHESON		02-12-2019		YAZAKI CORPORATION		SET DWG NO.					