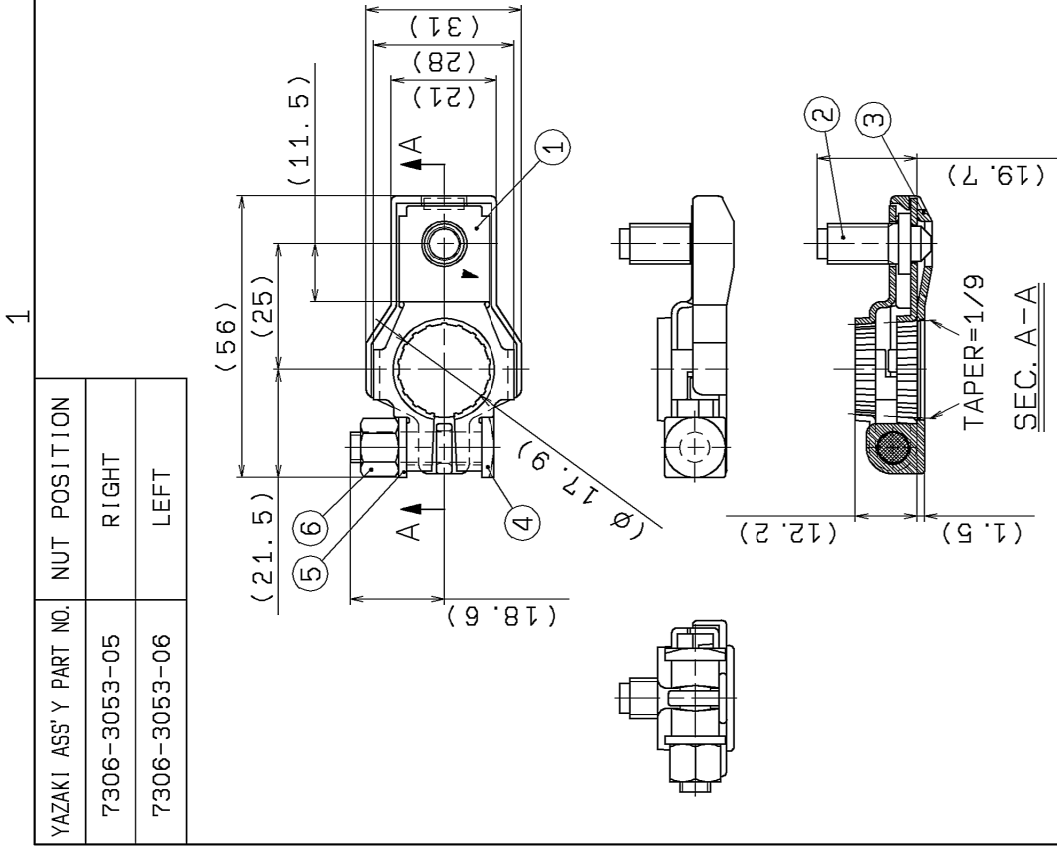


NO.	PART NO.	PART NAME	MATERIAL	TREAT. & FIN.	REMARKS
①	7106-3053-02	BATTERY TERMINAL (N+)	C2600R (t=1.2)	PLAT-Sn	
②	7150-1202	STUD BOLT	SWRCH	PLAT-Sn	M8
③	7134-5133	COVER	P. P (BLACK)		
④	7150-3226	SQUARE BOLT	SWRCH	PLAT-Sn	M6
⑤	7145-2015	WASHER	SPCC (t=1.6)	PLAT-Sn	
⑥	7151-1063	NUT	SWRCH	PLAT-Sn	M6



LET	DATE	REVISION RECORD	GENERAL TOLERANCE	APPROX.	MASS	APPROX.	MASS	APPROX.	MASS
99.07.01		N E W							
		C99-Y268 薄辺							
		OFFICE							
		VENDOR							
		VENDOR NO.							
		CUSTOMER PART NO.							
		CUSTOMER DWG NO.							
		TRIAL PART NO.							
		OFFICE							
		CHKD							
		NO.							
		DWG TYPE							
		DWG SOURCE							
		DWG DATE							
		UNIT							
		SCL							
		ANGLE							
		NEW							
		CHECKED							
		DESIGN							
		DRAWN							
		APPROVED							
		CHKD							
		NO.							
		DWG TYPE							
		DWG SOURCE							
		DWG DATE							
		UNIT							
		SCL							
		ANGLE							
		NEW							
		CHECKED							
		DESIGN							
		DRAWN							
		APPROVED							
		CHKD							
		NO.							
		DWG TYPE							
		DWG SOURCE							
		DWG DATE							
		UNIT							
		SCL							
		ANGLE							
		NEW							
		CHECKED							
		DESIGN							
		DRAWN							
		APPROVED							
		CHKD							
		NO.							
		DWG TYPE							
		DWG SOURCE							
		DWG DATE							
		UNIT							
		SCL							
		ANGLE							
		NEW							
		CHECKED							
		DESIGN							
		DRAWN							
		APPROVED							
		CHKD							
		NO.							
		DWG TYPE							
		DWG SOURCE							
		DWG DATE							
		UNIT							
		SCL							
		ANGLE							
		NEW							
		CHECKED							
		DESIGN							
		DRAWN							
		APPROVED							
		CHKD							
		NO.							
		DWG TYPE							
		DWG SOURCE							
		DWG DATE							
		UNIT							
		SCL							
		ANGLE							
		NEW							
		CHECKED							
		DESIGN							
		DRAWN							
		APPROVED							
		CHKD							
		NO.							
		DWG TYPE							
		DWG SOURCE							
		DWG DATE							
		UNIT							
		SCL							
		ANGLE							
		NEW							
		CHECKED							
		DESIGN							
		DRAWN							
		APPROVED							
		CHKD							
		NO.							
		DWG TYPE							
		DWG SOURCE							
		DWG DATE							
		UNIT							
		SCL							
		ANGLE							
		NEW							
		CHECKED							
		DESIGN							
		DRAWN							
		APPROVED							
		CHKD							
		NO.							
		DWG TYPE							
		DWG SOURCE							
		DWG DATE							
		UNIT							
		SCL							
		ANGLE							
		NEW							
		CHECKED							
		DESIGN							
		DRAWN							
		APPROVED							
		CHKD							
		NO.							
		DWG TYPE							
		DWG SOURCE							
		DWG DATE							
		UNIT							
		SCL							
		ANGLE							
		NEW							
		CHECKED							
		DESIGN							
		DRAWN							
		APPROVED							
		CHKD							
		NO.							
		DWG TYPE							
		DWG SOURCE							
		DWG DATE							
		UNIT							
		SCL							
		ANGLE							
		NEW							
		CHECKED							
		DESIGN							
		DRAWN							
		APPROVED							
		CHKD							
		NO.							
		DWG TYPE							
		DWG SOURCE							
		DWG DATE							
		UNIT							
		SCL							
		ANGLE							
		NEW							
		CHECKED							
		DESIGN							
		DRAWN							
		APPROVED							
		CHKD							
		NO.							
		DWG TYPE							
		DWG SOURCE							
		DWG DATE							
		UNIT							
		SCL							
		ANGLE							
		NEW							
		CHECKED							
		DESIGN							
		DRAWN							
		APPROVED							
		CHKD							
		NO.							
		DWG TYPE							
		DWG SOURCE							
		DWG DATE							
		UNIT							
		SCL							
		ANGLE							
		NEW							
		CHECKED							
		DESIGN							
		DRAWN							
		APPROVED							
		CHKD							