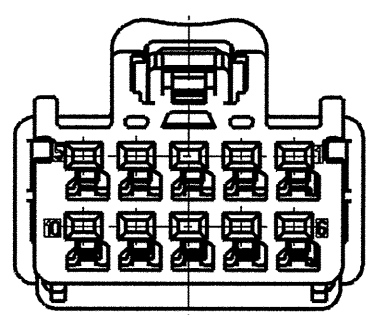
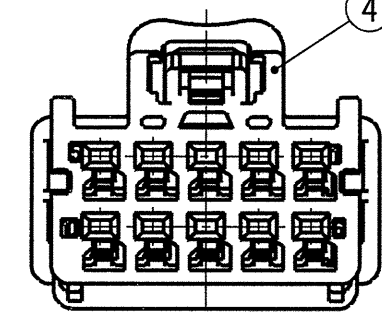
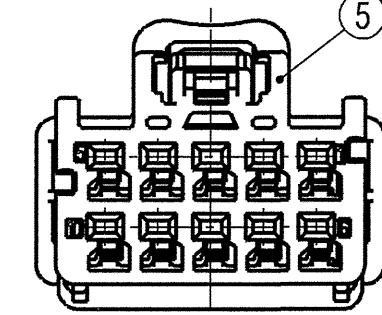
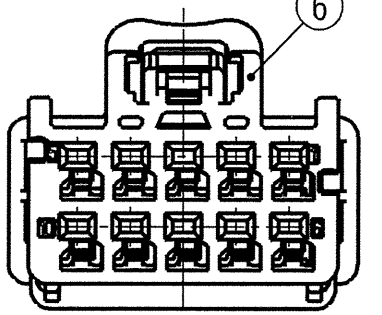
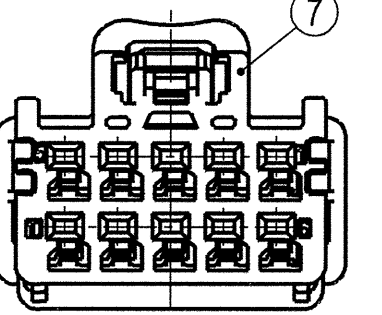
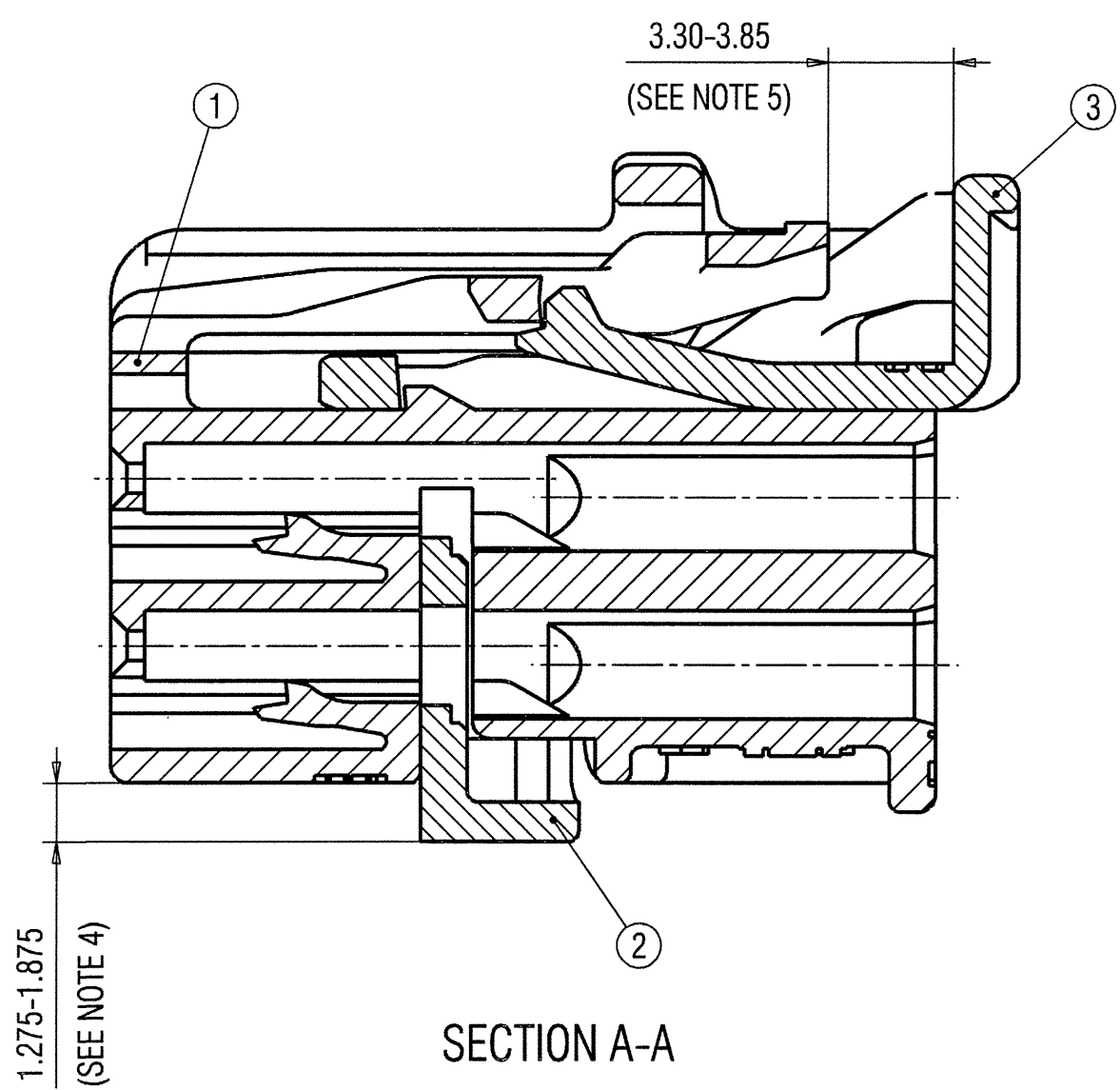
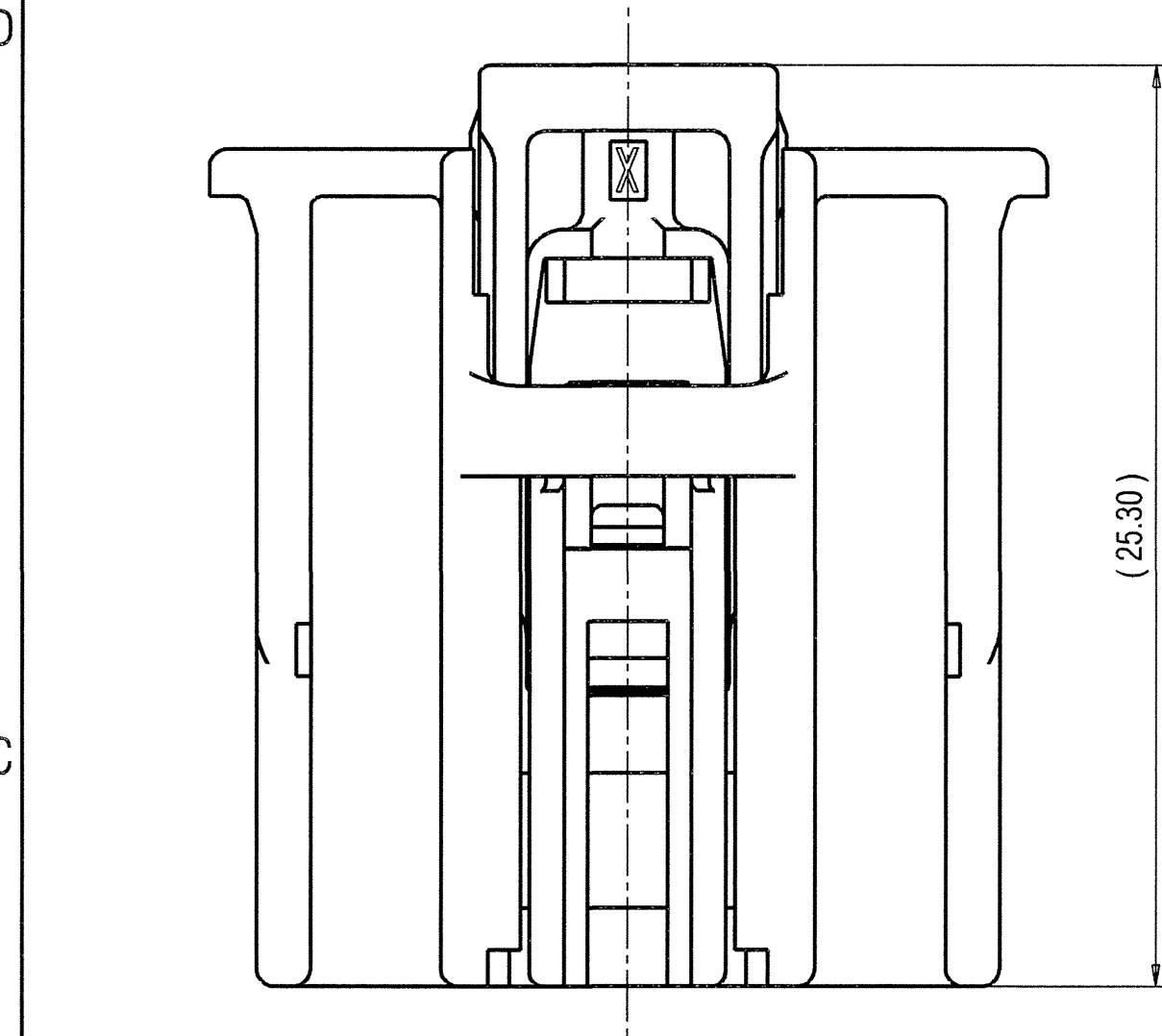


1 2 3 4 5 6 7

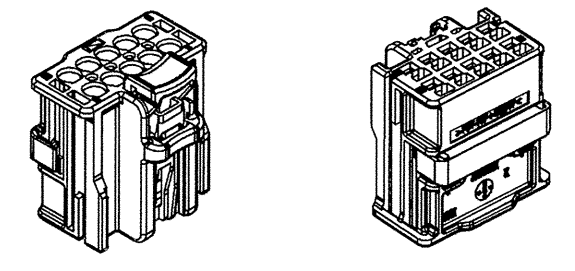
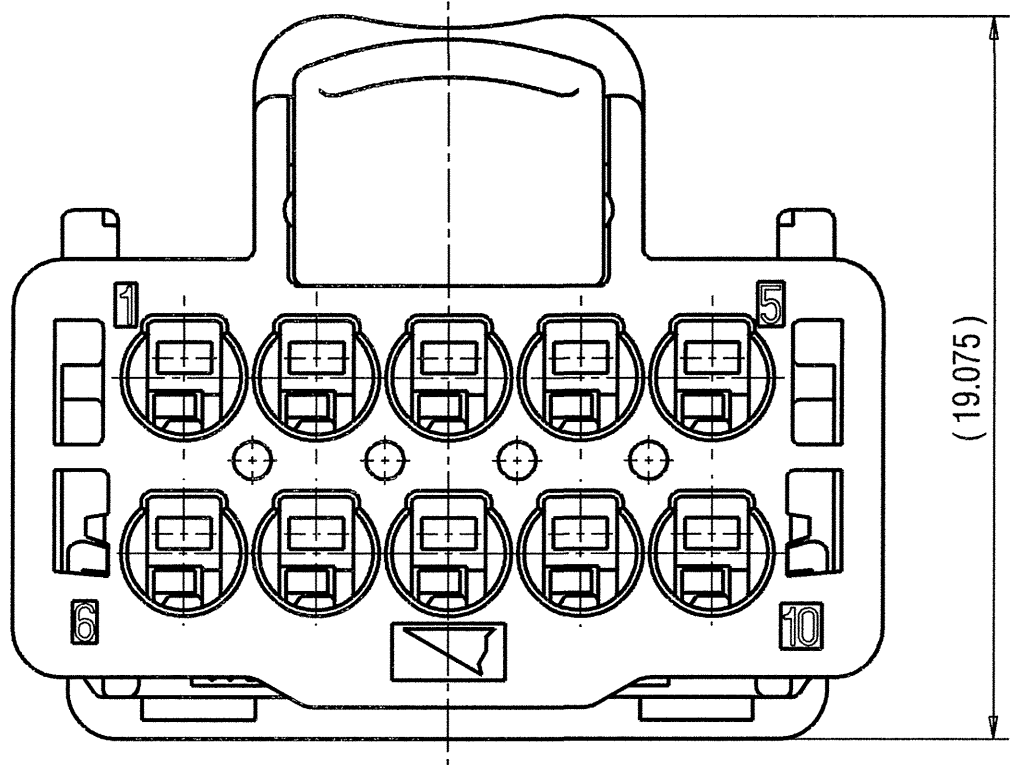
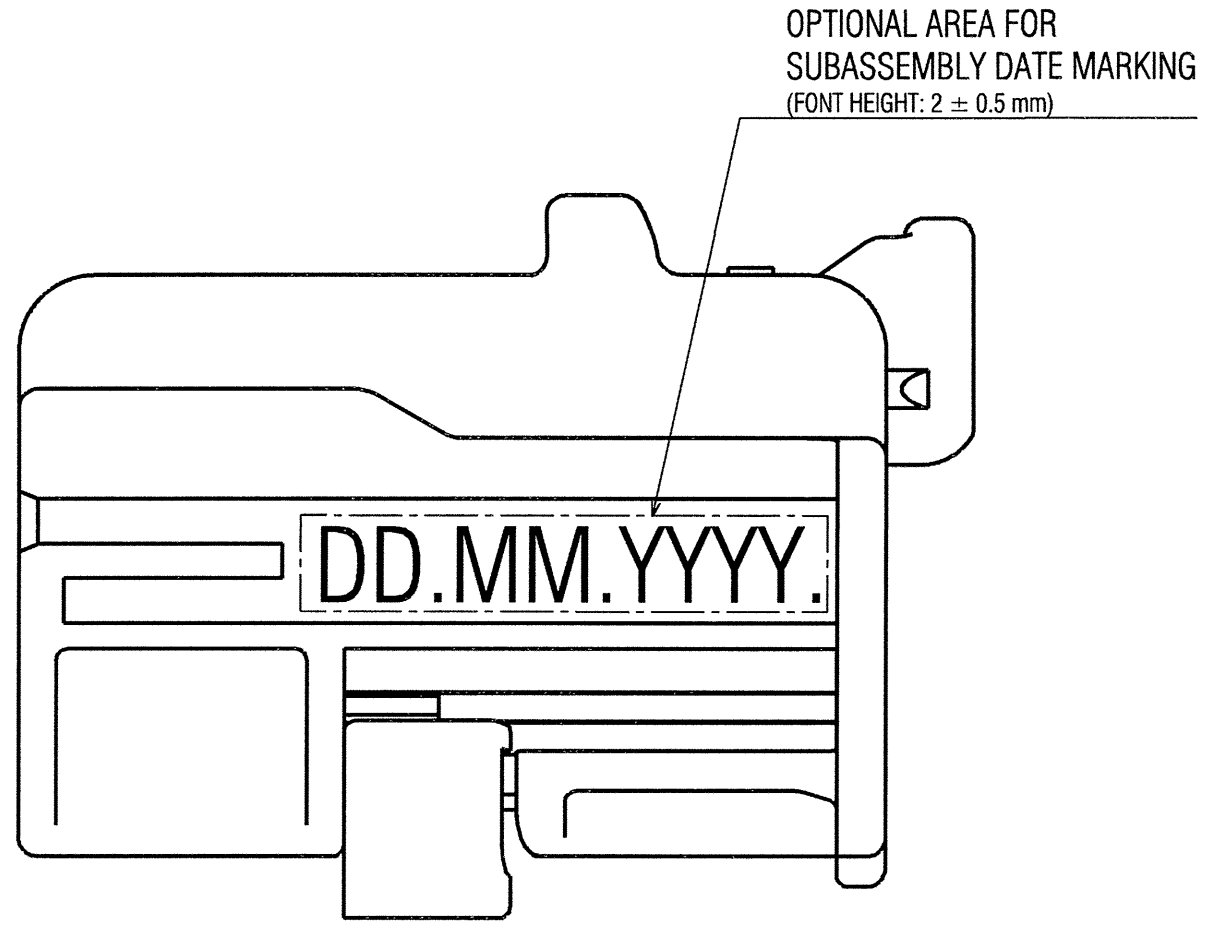
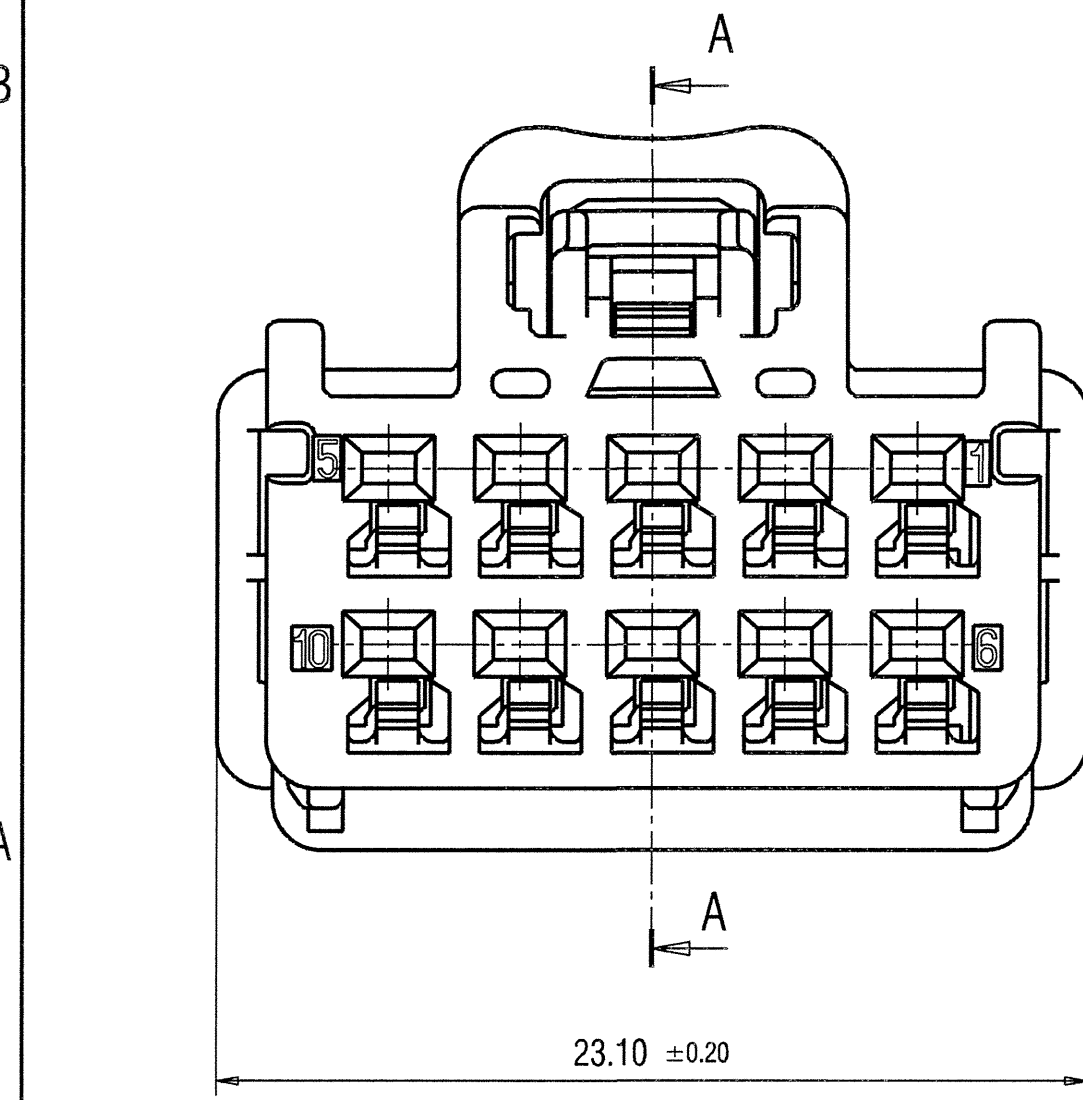
CODE OVERVIEW

CODE A (SCALE 2:1)	CODE B (SCALE 2:1)	CODE C (SCALE 2:1)	CODE D (SCALE 2:1)	CODE O (SCALE 2:1)
				
P/N: 7289-7760-30 COLOR: BLACK (SIMILAR TO RAL 9005) 10P 1.2 NWP SYSTEM CONNECTOR F SUBASSEMBLY CODE A	P/N: 7289-7761-60 COLOR: GREEN (SIMILAR TO RAL 6002) 10P 1.2 NWP SYSTEM CONNECTOR F SUBASSEMBLY CODE B	P/N: 7289-7762-90 COLOR: BLUE (SIMILAR TO RAL 5005) 10P 1.2 NWP SYSTEM CONNECTOR F SUBASSEMBLY CODE C	P/N: 7289-7763-80 COLOR: BROWN (SIMILAR TO RAL 8011) 10P 1.2 NWP SYSTEM CONNECTOR F SUBASSEMBLY CODE D	P/N: 7289-7759-20 COLOR: PURPLE (SIMILAR TO RAL 4006) 10P 1.2 NWP SYSTEM CONNECTOR F SUBASSEMBLY CODE O

YAZAKI SUBASSY PART NO.	NAME	NO.	YAZAKI PART NO.	NAME	MATERIAL	COLOR	QTY.
7289-7760-30	10P 1.2 NWP SYSTEM CONNECTOR FEMALE SUBASSY CODE A	①	7189-7760-30	10P 1.2 NWP SYSTEM F HOUSING CODE A	PBT-(GF+MD)17	BLACK	1
		②	7172-1391	10P 1.2 NWP SYSTEM M/F SIDE SPACER	PBT-GF30	NATURAL	1
		③	7172-1390	1.2 NWP SYSTEM CPA	PBT-GF30	ORANGE	1
7289-7761-60	10P 1.2 NWP SYSTEM CONNECTOR FEMALE SUBASSY CODE B	④	7189-7761-60	10P 1.2 NWP SYSTEM F HOUSING CODE B	PBT-(GF+MD)17	GREEN	1
		②	7172-1391	10P 1.2 NWP SYSTEM M/F SIDE SPACER	PBT-GF30	NATURAL	1
		③	7172-1390	1.2 NWP SYSTEM CPA	PBT-GF30	ORANGE	1
7289-7762-90	10P 1.2 NWP SYSTEM CONNECTOR FEMALE SUBASSY CODE C	⑤	7189-7762-90	10P 1.2 NWP SYSTEM F HOUSING CODE C	PBT-(GF+MD)17	BLUE	1
		②	7172-1391	10P 1.2 NWP SYSTEM M/F SIDE SPACER	PBT-GF30	NATURAL	1
		③	7172-1390	1.2 NWP SYSTEM CPA	PBT-GF30	ORANGE	1
7289-7763-80	10P 1.2 NWP SYSTEM CONNECTOR FEMALE SUBASSY CODE D	⑥	7189-7763-80	10P 1.2 NWP SYSTEM F HOUSING CODE D	PBT-(GF+MD)17	BROWN	1
		②	7172-1391	10P 1.2 NWP SYSTEM M/F SIDE SPACER	PBT-GF30	NATURAL	1
		③	7172-1390	1.2 NWP SYSTEM CPA	PBT-GF30	ORANGE	1
7289-7759-20	10P 1.2 NWP SYSTEM CONNECTOR FEMALE SUBASSY CODE O	⑦	7189-7759-20	10P 1.2 NWP SYSTEM F HOUSING CODE O	PBT-(GF+MD)17	PURPLE	1
		②	7172-1391	10P 1.2 NWP SYSTEM M/F SIDE SPACER	PBT-GF30	NATURAL	1
		③	7172-1390	1.2 NWP SYSTEM CPA	PBT-GF30	ORANGE	1



- NOTES:
- MATERIAL: SEE TABLE;
  - COLOR: SEE CODE OVERVIEW;
  - APPLICABLE TERMINALS: 1.2 CB SYSTEM F COMPATIBLE;
  - THIS DIMENSION SHOWS THE PRESET POSITION OF SIDE SPACER ON THE SUBASSEMBLY;
  - THIS DIMENSION SHOWS THE PRESET POSITION OF CPA ON THE SUBASSEMBLY;
  - MATING PRODUCT: 7288-7765-30 ETC;
  - FOR GENERAL GEOMETRICAL TOLERANCE SEE TABLE (ECCENT=ECCENTRICITY);
  - HANDLING MANUAL: YPES-15-1664E;
  - PRODUCT STANDARD: TBD.;
  - THE MATERIALS USED IN THIS PRODUCT ARE IN CONFORMITY WITH REQUIREMENTS OF EU ELV 2000/53/EC DIRECTIVE AND ASSOCIATED DOCUMENTS;



ISOMETRIC VIEW  
(SCALE 1:1)

05.07.2016	NEW	Y16-0438	B.F.
LET	DATE	REVISION RECORD NO.	CHKD

GENERAL TOLERANCE						
	10MAX	50MAX	100MAX	250MAX	2500VR	
A	±0.15	±0.2	±0.3	±0.5	±0.75	±30'
B	±0.2	±0.3	±0.55	±0.95	±1.4	±30'
⊙	±0.3	±0.5	±0.8	±1.4	±2	±30'
SPECIFIED	MASS					4.9 g

CUSTOMER CUSTOMER PART NO.		CUSTOMER DWG NO.		MATL. SPEC.	SEE NOTES	TREAT. & FIN.
OFFICE YEL-P		TRIAL PART NO.		NAME		
VENDOR		X41583-E01Z		10P 1.2 NWP SYSTEM CONNECTOR (F) SUBASSEMBLY		
VENDOR NO.				PART NO. 7289-7760-30 ETC.		
DWG TYPE R		DWG SOURCE NEW		DWG DATE 05.07.2016		CH. CODE
APPROVED G. GREGURIC		CHECKED B. FREITZE		DESIGN T. GREBENAR		DRAWN D. MIHALINEC
DATE 12.07.2016		DATE 12.07.2016		DATE 07.07.2015		DATE 05.07.2016
						SET DWG NO.
						7289-7760-30:R

