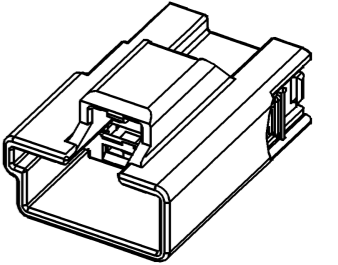
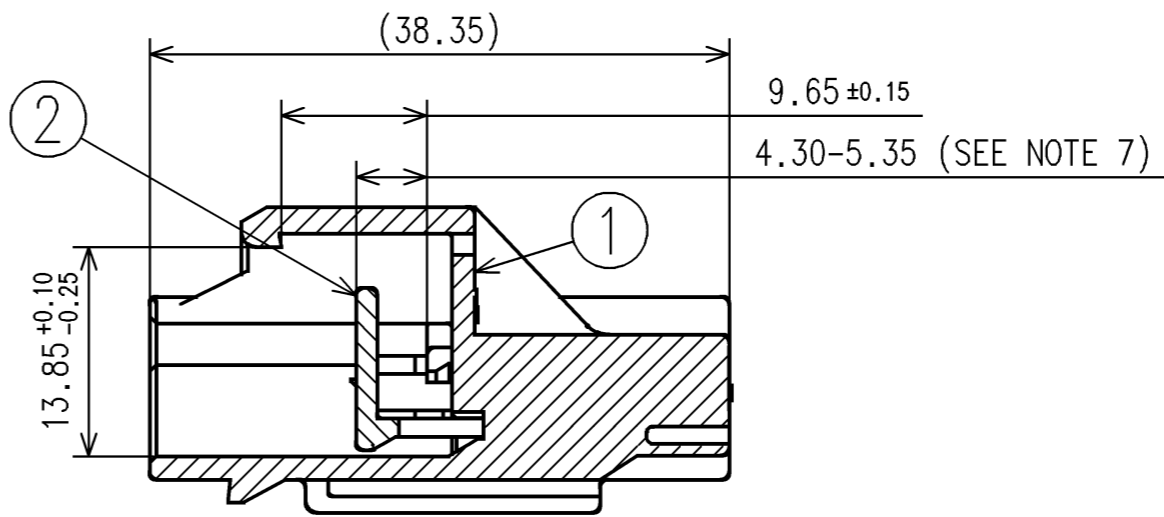
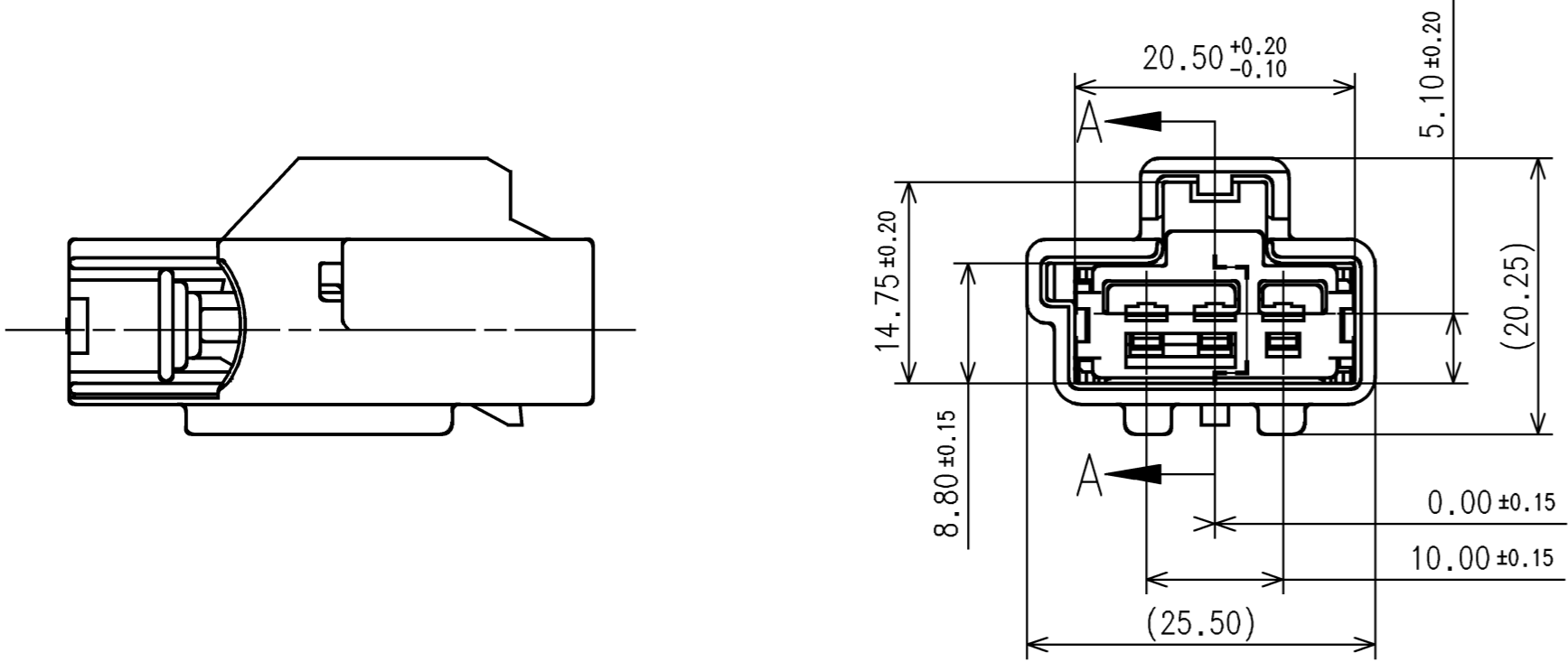
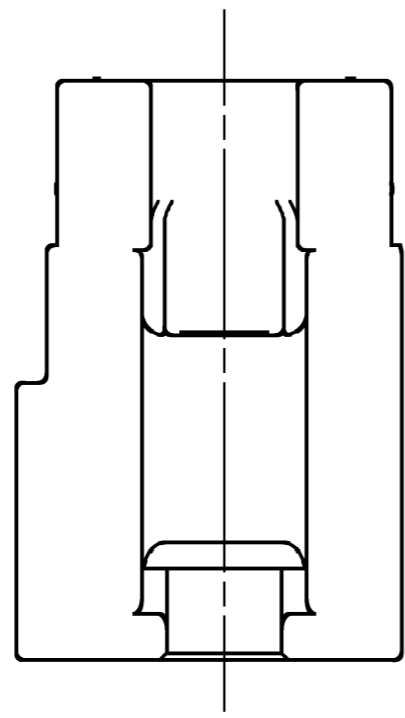


GENERAL TOLERANCE											
	10 MAX	50 MAX	100 MAX	250 MAX	250 OVR	R5 MAX	R10 MAX	R20 MAX	R20 OVR	ANGLE	ECCENT
A	±0.15	±0.2	±0.3	±0.5	±0.75					±3°	0.1
B	±0.2	±0.3	±0.55	±0.95	±1.4	±0.2	±0.3	±0.5	±2.5	±3°	0.1
C	±0.3	±0.5	±0.8	±1.4	±2.0					±3°	0.15
SPECIFIED										MASS	(7.7)g

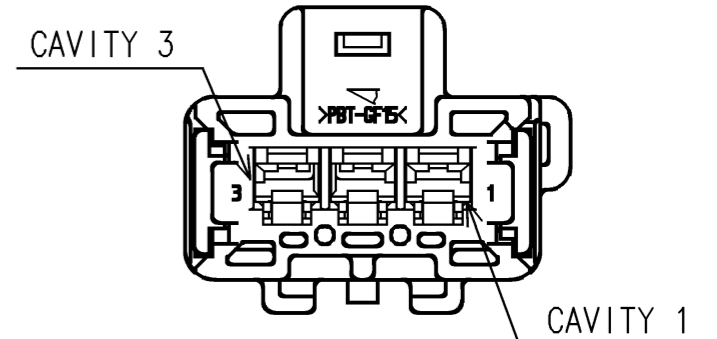
SUB ASSEMBLY PART NUMBER	NO.	PART NUMBER	PART NAME	MATERIAL	COLOR	QUANTITY
7288-3665-40	①	7188-3665-40	KAIZEN 2.8 SYSTEM CONNECTOR 3P (M) HOUSING	PBT-GF	LIGHT GRAY	1
	②	7172-0997-50	KAIZEN 2.8 SYSTEM CONNECTOR 3P (M) TPA	PBT	ORANGE	1



(1/1)



SECTION A-A



NOTES:

- PARTS MUST BE PURCHASED FROM YAZAKI.
- PARTS MUST BE FREE OF FLASH AND IMPERFECTIONS THAT AFFECT FUNCTION.
- APPLICABLE TERMINAL: SEE 7114-4110-02:R DRAWING.
- MATING PART NUMBER: 7289-3666-40 OR EQUIVALENT.
- PART DESIGNED TO SATISFY USCAR-2, REV. 6 FEBRUARY 2013.
- PART TO COMPLY WITH YPES-31-038 REQUIREMENTS.
- THIS DIMENSION SHOWS THE PRE-SET POSITION OF THE TPA.
- THIS DRAWING IS TO BE USED FOR INTERNAL YAZAKI PSW SUBMISSION.

ISSUE MARK

LET	DATE	REVISION RECORD	NO.	CHKD
-	09-03-2015	NEW	C15-A688	J.G.

CUSTOMER		MATL. SPEC.	SEE CHART	TREAT & FIN.	N/A
CUSTOMER PART NO.		CUSTOMER DWG NO.		NAME	
OFFICE YNA		TRIAL PART NO.		3P 2.8 SYSTEM YESC KAIZEN	
VENDOR				UNSEALED MALE SUB-ASSEMBLY	
VENDOR NO.				PART NO. 7288-3665-40	
DWG TYPE	DWG SOURCE	DWG DATE	UNIT	SCL	ANGLE
R	7288-3665-40:M	09-03-2015	mm	2/1	3
APPROVED	CHECKED	CHECKED	DESIGN	DRAWN	
			R. BARTLETT	JULIO GONZALEZ	
			10-30-2013	09-03-2015	
YAZAKI CORPORATION					