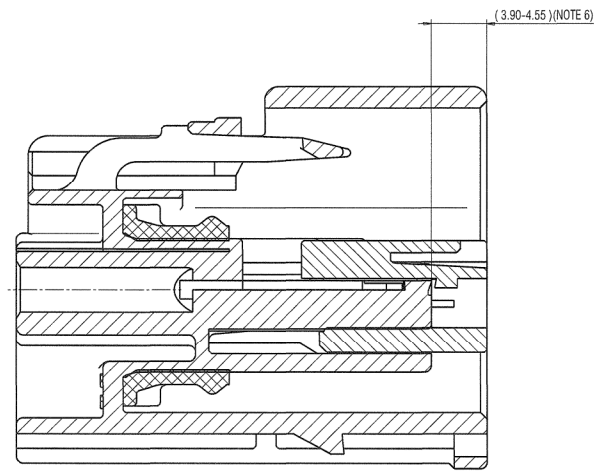
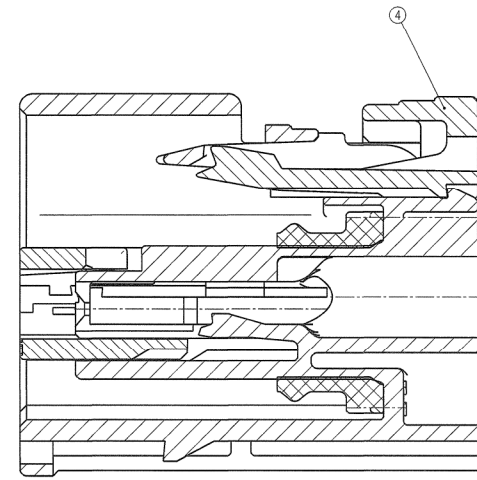
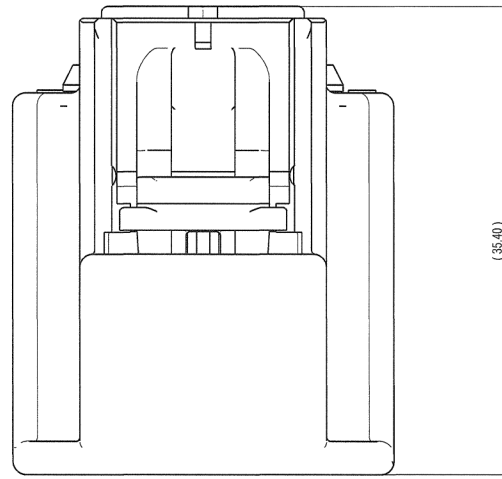


SUBASSEMBLY PART NO.	NO.	PART NO.	PART NAME	MATERIAL	COLOR	QTY
7287-6773-10	1	7187-6773-10	2.8 WP SYSTEM CONNECTOR 2P (F) HOUSING	PBT-GF15	DARK GREY	1
	2	7173-1488	2.8 SYSTEM CONNECTOR 2P (F) FRONT HOLDER	PBT-GF15	NATURAL	1
	3	7137-2752-90	2.8 WP SYSTEM CONNECTOR 2P (F) PACKING	SILICONE RUBBER	BLUE	1
7287-6774-10	1	7187-6773-10	2.8 WP SYSTEM CONNECTOR 2P (F) HOUSING	PBT-GF15	DARK GREY	1
	2	7173-1488	2.8 SYSTEM CONNECTOR 2P (F) FRONT HOLDER	PBT-GF15	NATURAL	1
	3	7137-2752-90	2.8 WP SYSTEM CONNECTOR 2P (F) PACKING	SILICONE RUBBER	BLUE	1
	4	7158-7657-50	CPA FOR SEALED CONNECTOR	PBT-GF15	RED	1

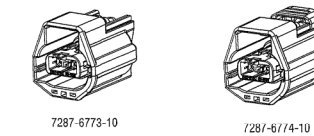
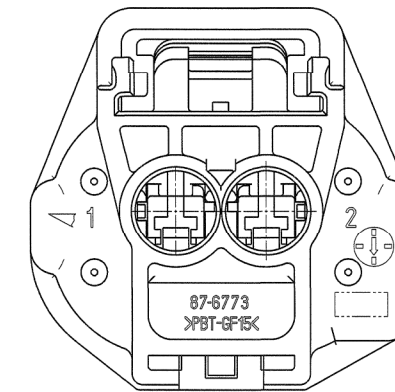
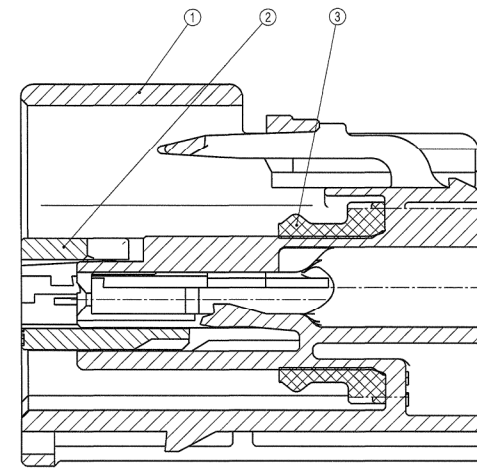
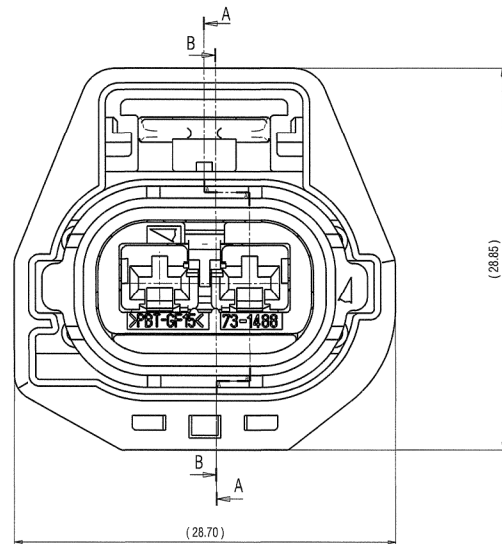
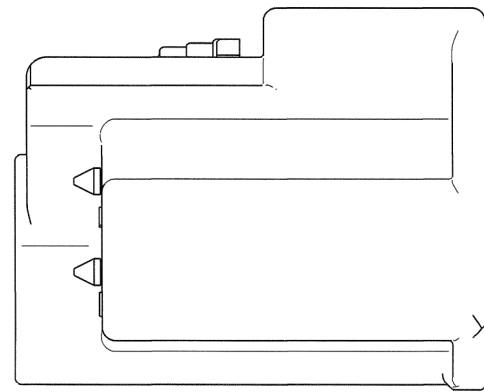


SECTION B-B  
SUBASSEMBLY 7287-6773-10



SECTION A-A  
SUBASSEMBLY 7287-6773-10

- NOTES:
1. MATERIAL- SEE TABLE;
  2. COLOR- SEE TABLE;
  3. APPLICABLE TERMINALS: 7116-4150-02 ETC.;
  4. APPLICABLE SEALS: 7158-3111-60 ETC.;
  5. APPLICABLE PLUG: 7158-3114-90;
  6. THIS DIMENSION SHOWS THE PRE-SET POSITION OF FRONT HOLDER ON THE SUBASSEMBLY;
  7. MATING PRODUCT ACCORDING DRAWING: 7282-5575-10-R;
  8. FOR GENERAL GEOMETRICAL TOLERANCE SEE TABLE (ECCENT = ECCENTRICITY);
  9. THE MATERIALS USED IN THIS PRODUCT ARE IN CONFORMITY WITH REQUIREMENTS OF EU ELV 2000/53/EC DIRECTIVE AND ASSOCIATED DOCUMENTS;
  10. PRINTED COPIES ARE UNCONTROLLED. THEY ARE POTENTIALLY OUT-OF-DATE AND INVALID. DATABASE IS MASTER.



ISOMETRIC VIEW  
SCALE 1:1

REV	DATE	REVISION RECORD	NO.	CHKD
1	30.10.2009	NEW	Y09-0442	G.G.

GENERAL TOLERANCE		MATERIAL		COLOR		QTY	
10MAX	50MAX	100MAX	250MAX	2500VR	ANGLE	ECCENT	DWG TYPE
A ±0.15	±0.2	±0.3	±0.5	±0.75	±30	0.1	M
B ±0.2	±0.3	±0.55	±0.95	±1.4	±30	0.1	APPROVED
C ±0.3	±0.5	±0.8	±1.4	±2	±30	0.15	CHECKED
SPECIFIED		MASS		DRAWN		DESIGN	

CUSTOMER PART NO.	CUSTOMER DWG NO.	MATL. SPEC.	SEE NOTES	TREAT. & FIN.	SEE NOTES
			2.8 WP SYSTEM CONNECTOR 2P (F)		
SUBASSEMBLY					
PART NO. 7287-6773-10					
DWG NO. 7287-6773-10.R					
SET DWG NO.					

APPROVED	CHECKED	DESIGN	DRAWN
T. CHALLER	G. REGURIC	M. VALJAK	M. SVRAKA
10.11.2009	10.11.2009	23.10.2009	30.10.2009

YAZAKI CORPORATION