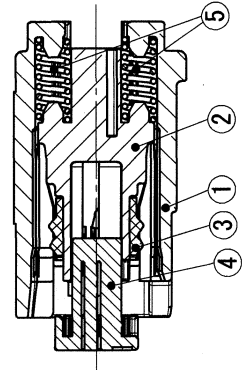
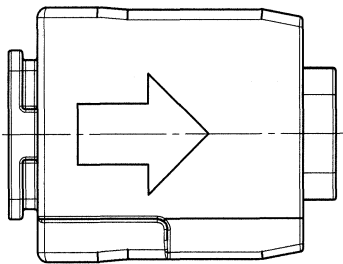


3

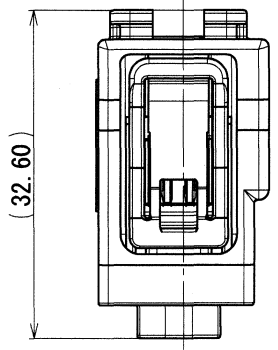
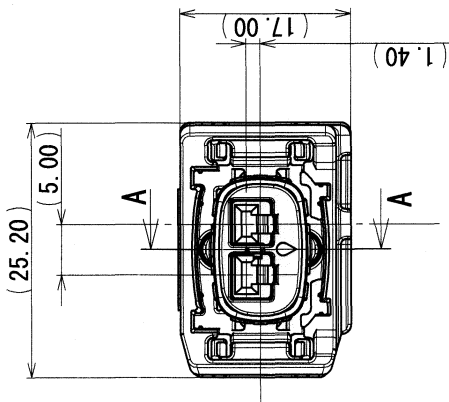
2

1

| GENERAL TOLERANCE | | | | | | | | | | | |
|-------------------|--------|--------|---------|---------|---------|--------|---------|---------|---------|-------|--------|
| | 10 MAX | 50 MAX | 100 MAX | 250 MAX | 500 MAX | R5 MAX | R10 MAX | R20 MAX | R20 OVR | ANGLE | ECCENT |
| A | ±0.15 | ±0.2 | ±0.3 | ±0.5 | ±0.75 | ±0.2 | ±0.3 | ±0.5 | ±2.5 | ±3° | 0.1 |
| B | ±0.2 | ±0.3 | ±0.55 | ±0.95 | ±1.4 | ±0.2 | ±0.3 | ±0.5 | ±2.5 | ±3° | 0.1 |
| C | ±0.3 | ±0.5 | ±0.8 | ±1.4 | ±2 | ±0.2 | ±0.3 | ±0.5 | ±2.5 | ±3° | 0.15 |



SEC. A-A



| SUB ASSEMBLY PART NO. AND CH. CODE | | NO. | PART NO. AND CH. CODE | PART NAME | MATERIAL | COLOR | QTY. |
|------------------------------------|--|-----|-----------------------|---------------|-----------------|---------|------|
| 7287-1495-40 | | ① | 7187-1495-40 | OUTER HOUSING | PBT-G | GRAY | 1 |
| | | ② | 7187-1496 | INNER HOUSING | PBT-G | NATURAL | 1 |
| | | ③ | 7137-2294-80 | PACKING | SILICONE RUBBER | BROWN | 1 |
| | | ④ | 7172-0180 | FRONT HOLDER | PBT-G | NATURAL | 1 |
| | | ⑤ | 7144-1718 | SPRING | STAINLESS STEEL | | 2 |
| 7287-1495-30 | | ① | 7187-1495-30 | OUTER HOUSING | PBT-G | BLACK | 1 |
| | | ② | 7187-1496 | INNER HOUSING | PBT-G | NATURAL | 1 |
| | | ③ | 7137-2294-80 | PACKING | SILICONE RUBBER | BROWN | 1 |
| | | ④ | 7172-0180 | FRONT HOLDER | PBT-G | NATURAL | 1 |
| | | ⑤ | 7144-1718 | SPRING | STAINLESS STEEL | | 2 |

NOTES

1. APPLICABLE TERMINAL NO. : 7116-5044-02 ETC.
2. APPLICABLE SEAL RUBBER NO. : 7158-3003-90 ETC.
3. APPLICABLE UNUSED CAVITY PLUG: 7157-3382-80

注記

1. 適用端子品番 : 7116-5044-02 ETC.
2. 適用ゴム栓品番 : 7158-3003-90 ETC.
3. 適用防水栓品番 : 7157-3382-80

| LET | DATE | REVISION RECORD | NO. | M.N | CHKD | CUSTOMER PART NO. | CUSTOMER DWG NO. | MATL. SPEC. | SEE TABLE | TREAT. & FIN. |
|--|------------|-----------------|----------|--------|--------|-------------------|------------------|-------------|-----------|---------------|
| | 2007/04/17 | NEW | 607-7321 | | | | | | | |
| GENERAL TOLERANCE | | | | | | | | | | |
| A | 10MAX | 50MAX | 100MAX | 250MAX | 500MAX | ANGLE | ECCENT | | | |
| B | ±0.15 | ±0.2 | ±0.3 | ±0.5 | ±0.75 | ±30° | 0.1 | | | |
| C | ±0.2 | ±0.3 | ±0.55 | ±0.95 | ±1.4 | ±30° | 0.1 | | | |
| | ±0.3 | ±0.5 | ±0.8 | ±1.4 | ±2 | ±30° | 0.15 | | | |
| SPECIFIED | | | | | | | | | | |
| REVISION RECORD | | | | | | | | | | |
| APPROVED: 鈴木 尚志 (S. SANTOS) | | | | | | | | | | |
| CHECKED: 島居 永行 (M. MAGANO) | | | | | | | | | | |
| DESIGN: M. MAGANO | | | | | | | | | | |
| DRAWN: S. SANTOS | | | | | | | | | | |
| DWG NO. 7287-1495-40:R | | | | | | | | | | |
| CH. CODE 7287-1495-40 ETC. | | | | | | | | | | |
| PART NO. 7287-1495-40 ETC. | | | | | | | | | | |
| NAME 2.3 II 2P HIGH VIBRATION RESISTANCE | | | | | | | | | | |
| SEALING CONNECTOR FEMALE SUB ASSEMBLY | | | | | | | | | | |
| YAZAKI CORPORATION | | | | | | | | | | |
| ISSUE MARK | | | | | | | | | | |

3

2

1