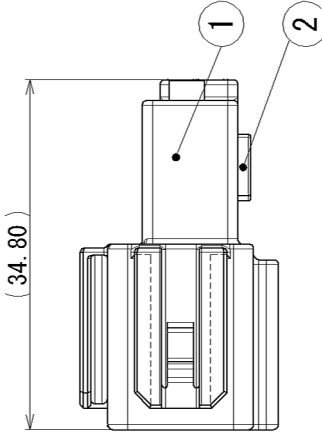
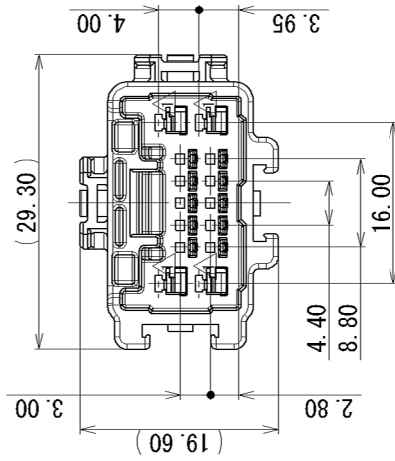
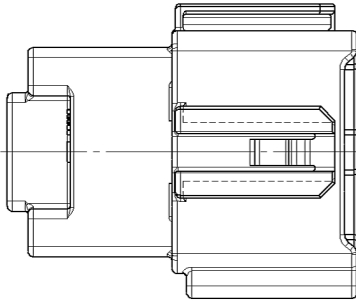


TABLE 1

SUB ASSEMBLY PART NO. AND CH. CODE	NO.	PART NO. AND CH. CODE	PART NAME	MATERIAL	COLOR	QTY.
SEE TABLE 2	①	SEE TABLE 2	025 10P+060 4P HOUSING MALE	PBT	SEE TABLE 2	1
	②	SEE TABLE 2	025 10P+060 4P SPACER MALE	PBT	SEE TABLE 2	1
TABLE 2						
SUB ASSEMBLY PART NO. AND CH. CODE		HOUSING PART NO. AND CH. CODE		SPACER PART NO. AND CH. CODE		COLOR
7286-8858, B		7186-8858		7172-0663		NATURAL
7286-8858-90, B		7186-8858-90		7172-0663-90		BLUE



注記

- かん合相手品番 : 7287-8858 ETC.
- 適用端子品番 : (025) 7114-4993-02 ETC.
: (060) 7114-7386-02 ETC.

NOTES

- MATING PART NO. : 7287-8858 ETC.
- APPLICABLE TERMINAL PART NO. : (025) 7114-4993-02 ETC.
: (060) 7114-7386-02 ETC.

GENERAL TOLERANCE

	10 MAX	50 MAX	100 MAX	250 MAX	R5 MAX	R10 MAX	R20 MAX	R20 OVR	ANGLE	ECCENT
A	±0.15	±0.2	±0.3	±0.5	±0.75				±3°	0.1
B	±0.2	±0.3	±0.55	±0.95	±1.4			±2.5	±3°	0.1
C	±0.3	±0.5	±0.8	±1.4	±2				±3°	0.15

DATE	CHANGED CH. CODE	NO.	CHKD	CUSTOMER PART NO.	CUSTOMER DWG NO.	MATL. SPEC.	SEE TABLE 1	TREAT.
2012/10/30	C12-Z924	E.0						& F IN.
2012/02/03	CHANGED FORM.	J. B						
2011/11/23	NEW	G. M						
LET	DATE	REVISION	RECORD	NO.	CHKD	NAME		
						025 10P+060 4P HOUSING MALE		
GENERAL TOLERANCE						SUB ASSEMBLY		
A	10MAX	50MAX	100MAX	250MAX	250OVR	ANGLE	PART NO. 7286-8858 ETC.	
B	±0.2	±0.3	±0.5	±0.75	±30'	±30'	CH. CODE	
C	±0.3	±0.5	±0.8	±1.4	±2	±30'	DWG NO. 7286-8858:R	
SPECIFIED						SET DWG NO.		
MASS						YAZAKI CORPORATION		