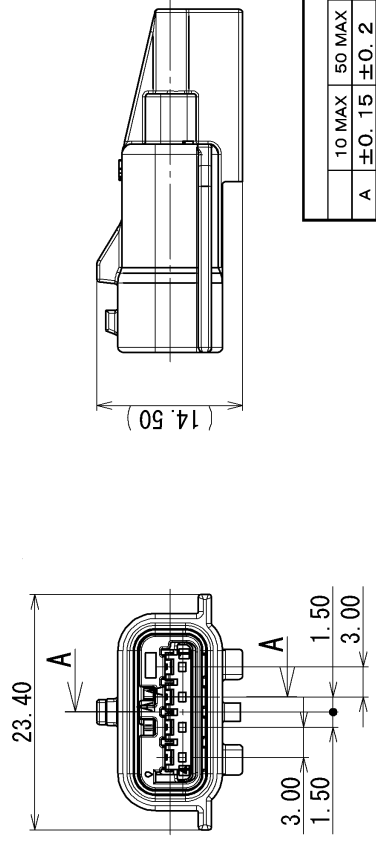
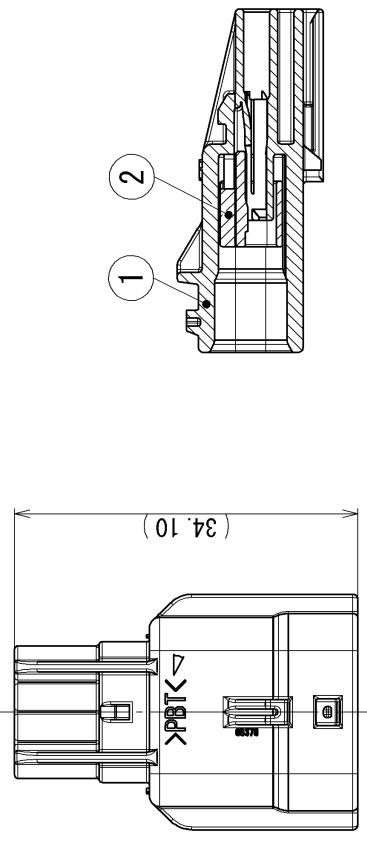


△TABLE 1 SUB ASSEMBLY PART NO. AND CH. CODE		PART NO. AND CH. CODE		△PART NAME		MATERIAL		COLOR		QTY.	
△7286-5378-10 ETC.		①	△SEE TABLE 2	RH TYPE 4P MALE HOUSING CODE C		PBT		△SEE TABLE 2		1	
		②	7158-5265	RH TYPE 4P MALE FRONT HOLDER		PBT		NATURAL		1	

△TABLE 2 SUB ASSEMBLY PART NO. AND CH. CODE		PART NO. AND CH. CODE		COLOR	
7286-5378-10		7186-5378-10		DARK GRAY	
7286-5378-80		7186-5378-80		BROWN	

- 注記
- △ 1. かん合相手品番 : 7287-5378-10, 7287-5378-80
 - 2. 適用端子品番 : 7114-4415-02 ETC.
 - 3. 適用ゴム栓品番 : 7158-3165-90, 7158-3166-60, 7158-3167-80, 7158-3168-80, 7158-3182-20
 - 4. 適用防水栓品番 : 7158-3169-40

SEC. A-A



NOTES

- △ 1. MATING PART NO. : 7287-5378-10, 7287-5378-80
- 2. APPLICABLE TERMINAL PART NO. : 7114-4415-02 ETC.
- 3. APPLICABLE WIRE SEAL PART NO. : 7158-3165-90, 7158-3166-60, 7158-3167-80, 7158-3168-80, 7158-3182-20
- 4. APPLICABLE SEALING PLUG PART NO. : 7158-3169-40

GENERAL TOLERANCE											
	10 MAX	50 MAX	100 MAX	250 MAX	250 OVR	R5 MAX	R10 MAX	R20 MAX	R20 OVR	ANGLE	ECCENT
A	±0.15	±0.2	±0.3	±0.5	±0.75		±0.2	±0.3	±0.5	±3°	0.1
B	±0.2	±0.3	±0.55	±0.95	±1.4					±3°	0.1
◎	±0.3	±0.5	±0.8	±1.4	±2					±3°	0.15

△	2010/10/15	CHANGED PART NAME	C10-ZA75	C.S	CUSTOMER		CUSTOMER PART NO.		CUSTOMER DWG NO.		MATERIAL SPEC.		△SEE TABLE 1		TREAT. & FIN.		
△	2009/08/03	ADDED PART NO., ETC.	C09-Z533	Y.F	OFFICE		TRIAL PART NO.		NAME		△RH TYPE HOUSING 4P		SUB ASSEMBLY MALE CODE C				
△	2009/05/28	NEW	C09-Z388	K.I	VENDOR		VENDOR NO.		PART NO. CH. CODE		7286-5378-10 ETC.		DWG NO.		7286-5378-10:R		
LET	DATE	REVISION RECORD	NO.	CHKD	APPROVED		DESIGN		DRAWN		SET DWG NO.		YAZAKI CORPORATION				
GENERAL TOLERANCE				APPROVED		DESIGN		DRAWN		S. MI ZUSE		R. DE GUZMAN		K. IKEYA		C. SANJOAGUIN	
SPECIFIED				2010/10/15		2009/04/17		2010/10/15		2009/04/17		2010/10/15		2010/10/15		2010/10/15	

