

SUB ASSEMBLY PART NO. AND CH. CODE		PART NO. AND CH. CODE		PART NAME		MATERIAL		COLOR		QTY.	
① 7286-1915 ETC.		①	SEE TABLE 2	1.5 12P UNSEALED CONNECTOR HOUSING MALE		PBT		SEE TABLE 2		1	
		②	7172-0226	1.5 12P UNSEALED CONNECTOR SPACER MALE		PBT		NATURAL		1	
TABLE 2		TABLE 2		SUB ASSEMBLY PART NO. AND CH. CODE		PART NO. AND CH. CODE		COLOR			
				7286-1915		7186-1915		NATURAL			
				7286-1915-30		7186-1915-30		BLACK			
				7286-1915-40		7186-1915-40		LIGHT GRAY			
				7286-1915-90		7186-1915-90		BLUE			

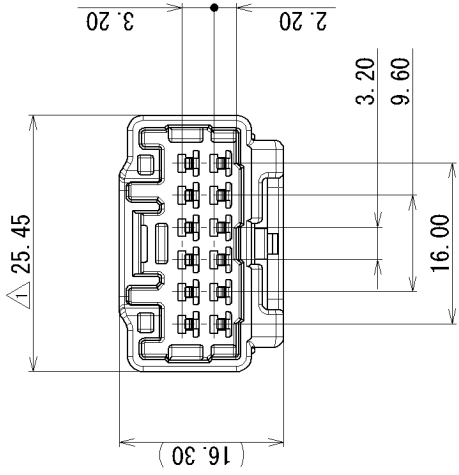
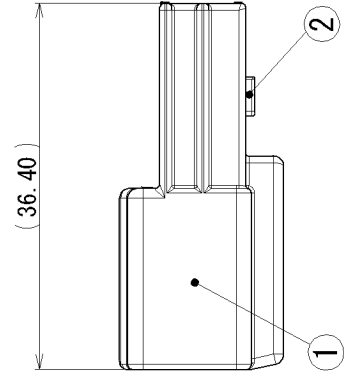
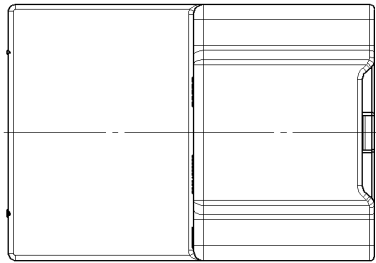
注記

- ①. かん合相手品番 : 7287-1915 ETC.
- ②. 適用端子品番 : 7114-5748-02 ETC.

NOTES

- ①. MATING PART NO. : 7287-1915 ETC.
- ②. APPLICABLE TERMINAL PART NO. : 7114-5748-02 ETC.

TABLE 1



② GENERAL TOLERANCE										
	10 MAX	50 MAX	100 MAX	250 MAX	R5 MAX	R10 MAX	R20 MAX	R20 OVR	ANGLE	ECCENT
A	±0.15	±0.2	±0.3	±0.5	±0.75		±0.3	±0.5	±3°	0.1
B	±0.2	±0.3	±0.55	±0.95	±1.4		±0.2	±2.5	±3°	0.1
C	±0.3	±0.5	±0.8	±1.4	±2				±3°	0.15

LET	DATE	REVISION RECORD	NO.	CHKD	CUSTOMER	CUSTOMER PART NO.	TRIAL PART NO.	VENDOR	VENDOR NO.	DWG TYPE	DWG SOURCE	DWG DATE	UNIT	SCL	ANGLE	PART NO. CH. CODE	DWG NO.	SET DWG NO.
②	2009/03/16	ADDED COLOR PART NO. . ETC.	C09-Z272	T.M						R	NEW	2007/08/29	mm	2:1	3	7286-1915 ETC.		
①	2007/09/27	CHANGED FORM	C07-ZA25	T.M						R								
	2007/08/29	NEW	C07-Z619	T.M						R								
GENERAL TOLERANCE																		
A	10MAX	50MAX	100MAX	250MAX	250OVR	ANGLE	ECCENT											
A	±0.15	±0.2	±0.3	±0.5	±0.75	±30'	0.1											
B	±0.2	±0.3	±0.55	±0.95	±1.4	±30'	0.1											
C	±0.3	±0.5	±0.8	±1.4	±2	±30'	0.15											
SPECIFIED																		
MATERIAL SPEC. SEE TABLE 1 TREAT. & FIN.																		
NAME 1.5 12P UNSEALED CONNECTOR MALE SUB ASSEMBLY																		
CUSTOMER DWG NO. 2009/03/16 2009/03/16 2006/07/12 2009/03/16																		
M. YAMAMASHI S. KODAMA T. MURO T. MURO V. UY																		
2009/03/16 2009/03/16 2006/07/12 2009/03/16																		
YAZAKI CORPORATION																		