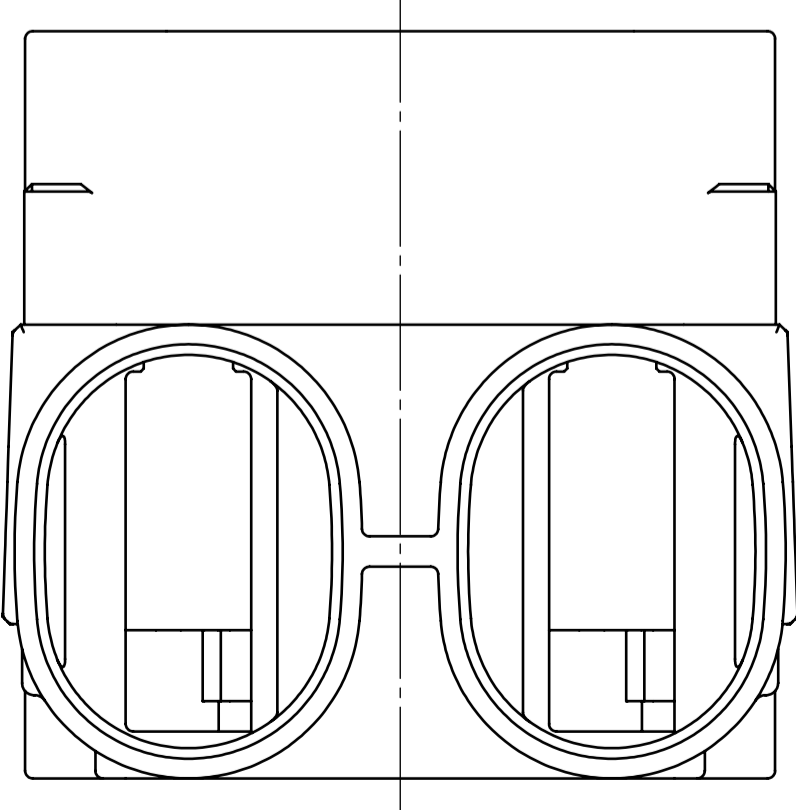
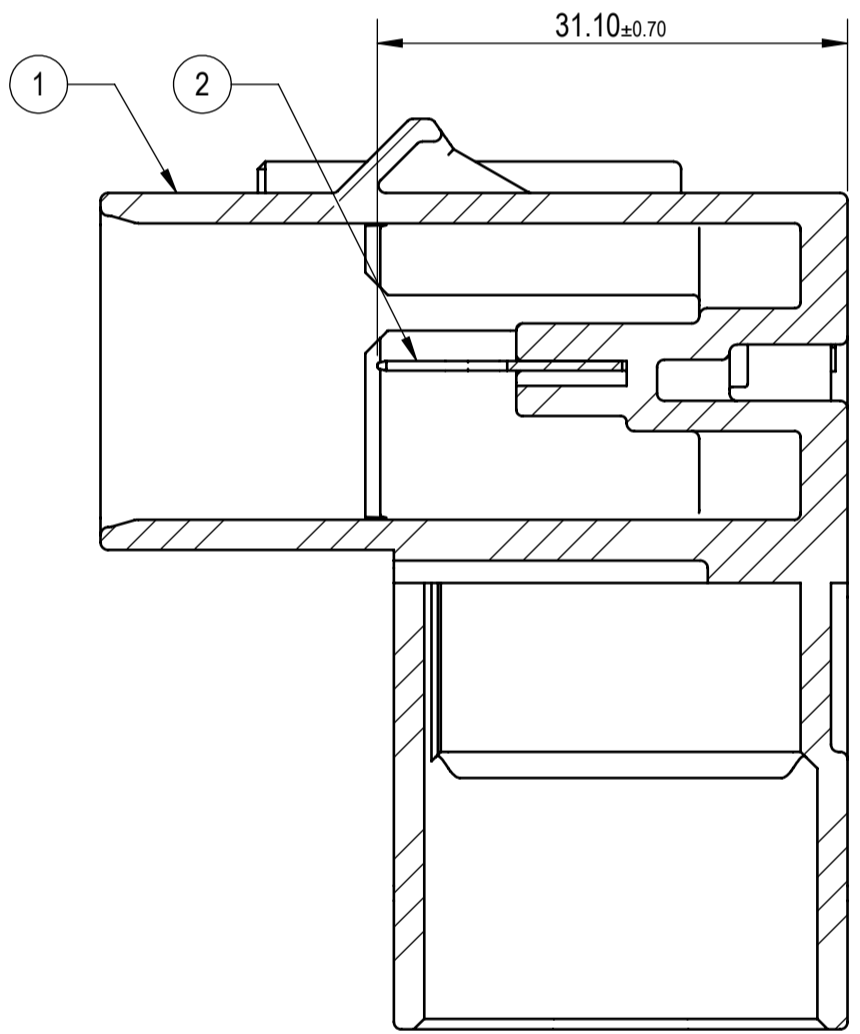
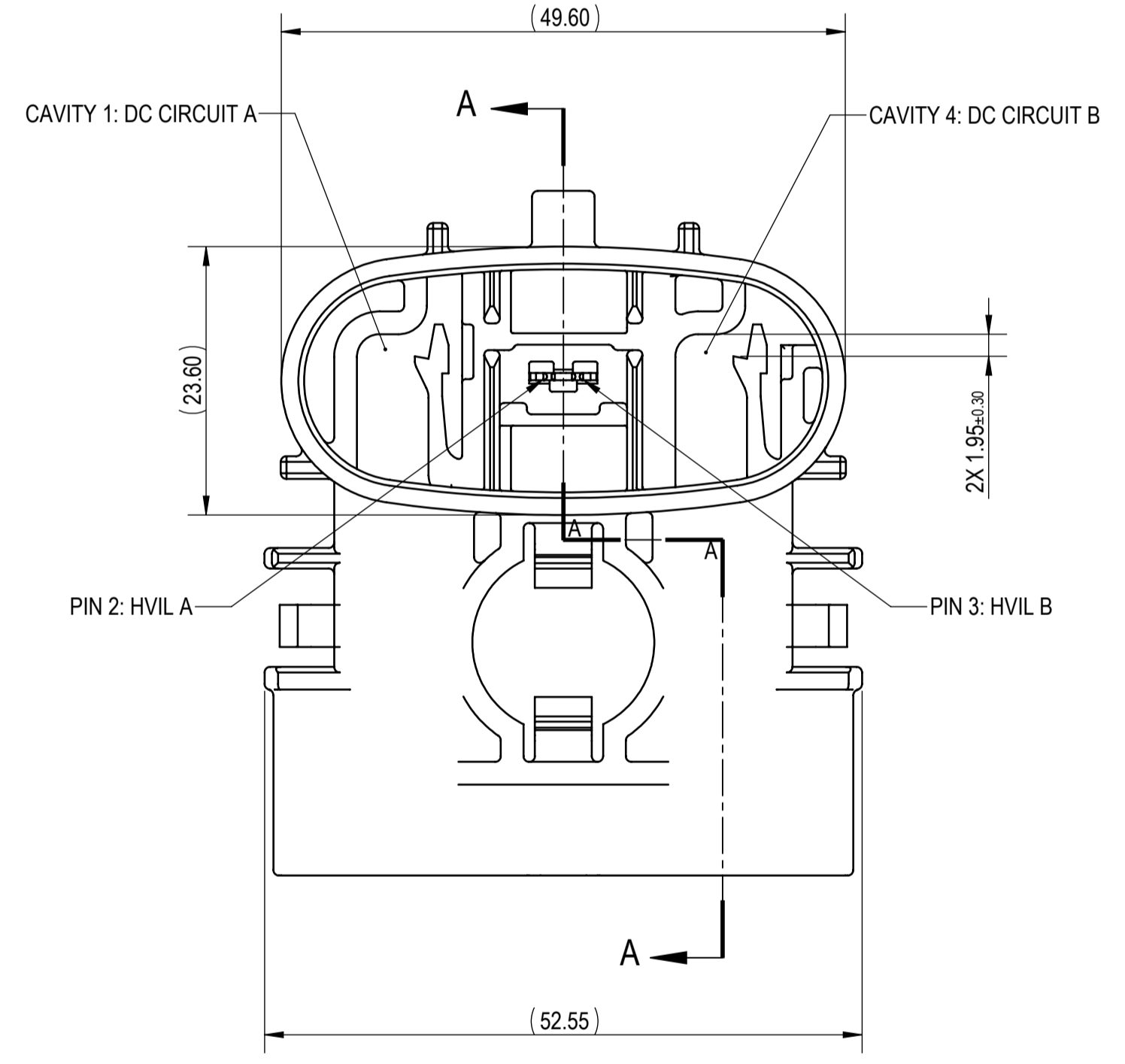
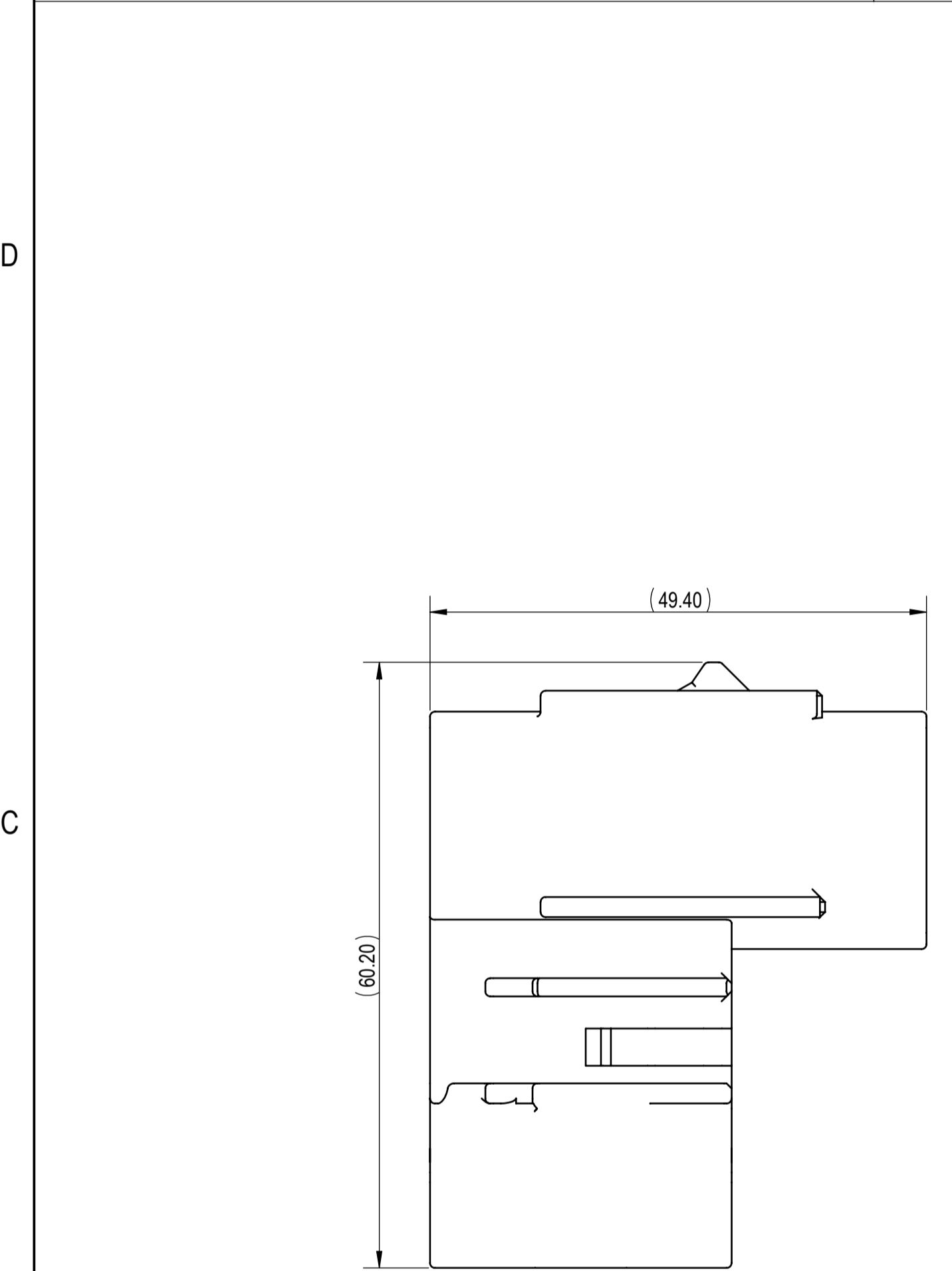
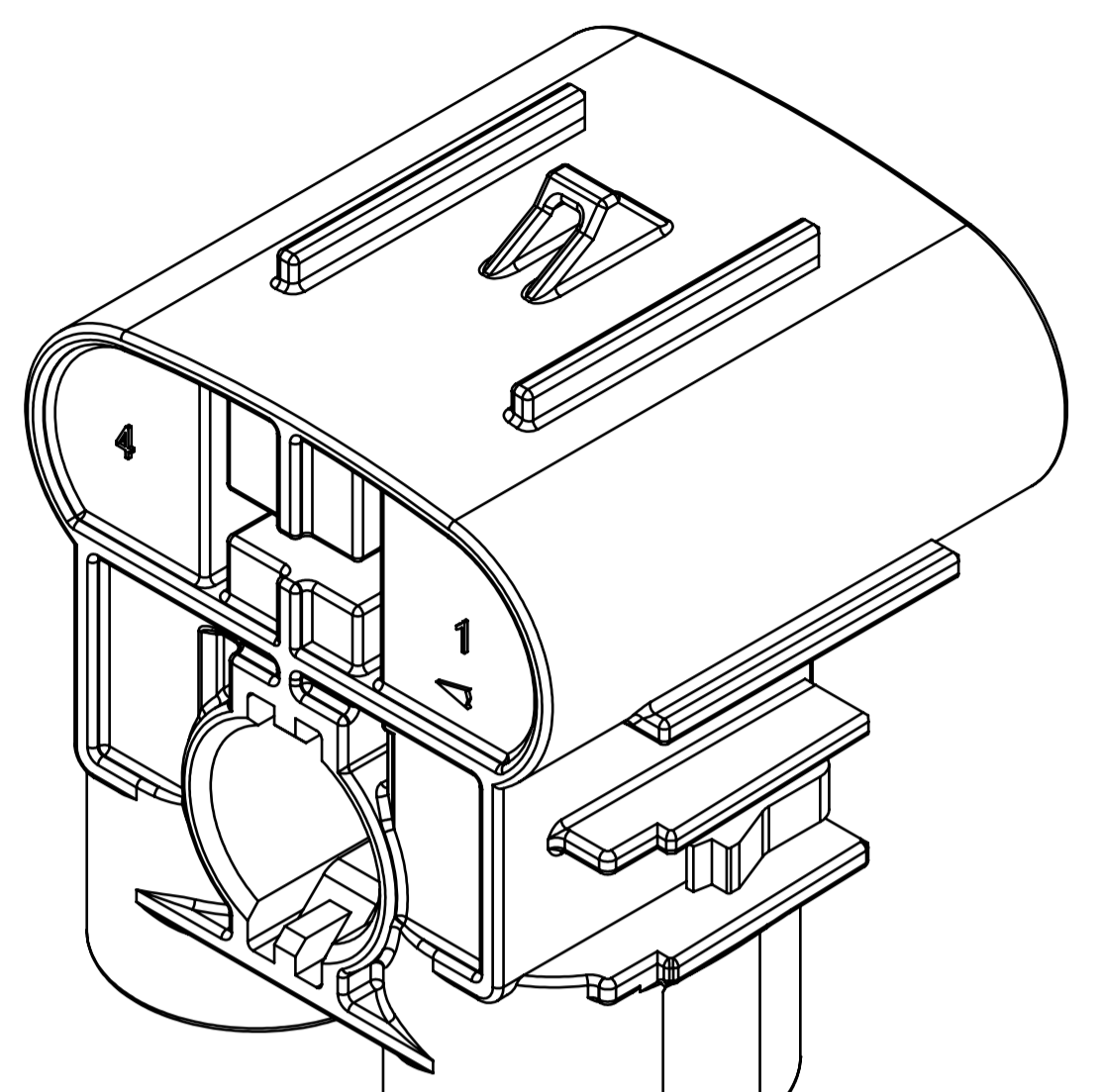
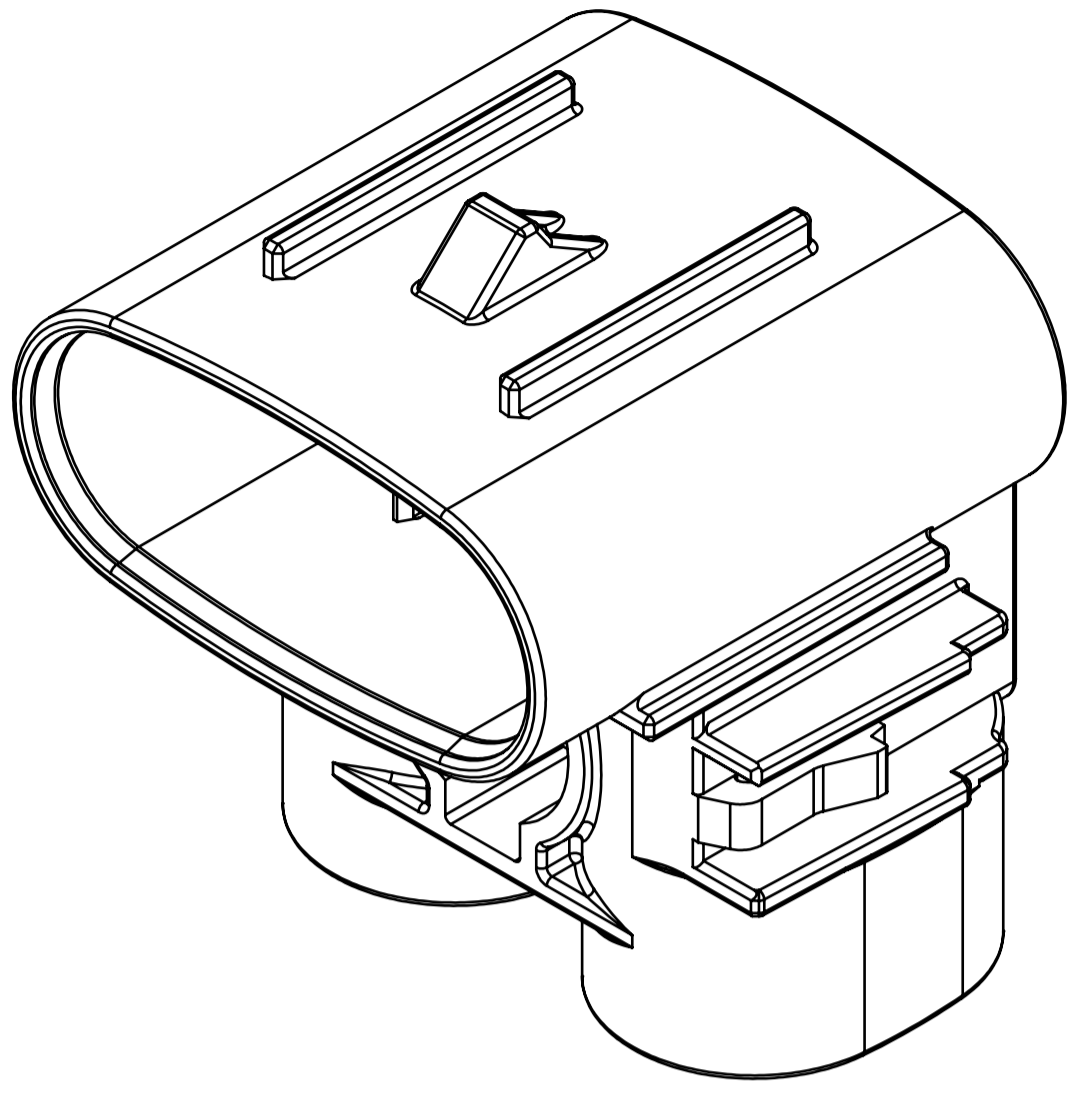


SUB-ASSEMBLY PART NUMBER	NO.	PART NUMBER	PART NAME	MATERIAL	COLOR	QUANTITY
7285-1328	①	7185-1060	2P 8mm SP SEALED 90° MALE CONNECTOR HOUSING	PA66-GF35	NATURAL	1
	②	7185-0165-08	2P 040-III MALE SHORT TERMINAL	COPPER ALLOY, Au PLATING	N/A	1



- NOTES
- PARTS MUST BE PURCHASED FROM YAZAKI.
 - PARTS MUST BE FREE OF FLASH AND IMPERFECTIONS THAT AFFECT FUNCTION.
 - THIS PART IS A COMPONENT OF: 7285-1096-0W ETC.
 - PART SATISFIES USCAR-37, AUG. 2008 (T3, V2, S3).
 - PART TO COMPLY WITH YPES-31-038 REQUIREMENTS.
 - THIS DRAWING IS TO BE USED FOR INTERNAL YAZAKI PSW SUBMISSION.

DATE	REVISION RECORD	NO.	CHKD
06/24/2020	UPDATED NOTE 4	C20-A420	R.M.
03/05/2019	NEW	C19-A207	K.P.

GENERAL TOLERANCE											
	10MAX	50MAX	100MAX	250MAX	250OVR	R5 MAX	R10 MAX	R20 MAX	R20 OVR	ANGLE	ECCENT
A	±0.15	±0.2	±0.3	±0.5	±0.75					±3°	0.1
B	±0.2	±0.3	±0.55	±0.95	±1.4	±0.2	±0.3	±0.5	±2.5	±3°	0.1
C	±0.3	±0.5	±0.8	±1.4	±2					±3°	0.15

GENERAL TOLERANCE									
	10MAX	50MAX	100MAX	250MAX	250OVR	ANGLE	ECCENT	MASS	
A	±0.15	±0.2	±0.3	±0.5	±0.75	±30'	0.1	(52.00)g	
B	±0.2	±0.3	±0.55	±0.95	±1.4	±30'	0.1		
C	±0.3	±0.5	±0.8	±1.4	±2	±30'	0.15		

CUSTOMER	CUSTOMER PART NO.	CUSTOMER DWG NO.	MATL SPEC.	SEE NOTES	TREAT. & FIN.	N/A
OFFICE	YNA	TRIAL PART NO.	NAME			
VENDOR		X41725-A653	2P 8mm SP SEALED 90° MALE CONNECTOR SUB-ASSEMBLY			
VENDOR NO.			PART NO.	7285-1328	CH. CODE	
DWG TYPE	R	DWG SOURCE	DWG DATE	03/05/2019	DWG NO.	7285-1328:R
APPROVED	CHECKED	CHECKED	DESIGN	DRAWN	SET DWG NO.	
			K. PAKRAVAN	R. MASSAR	YAZAKI CORPORATION	
			02/13/2018	06/24/2020		