

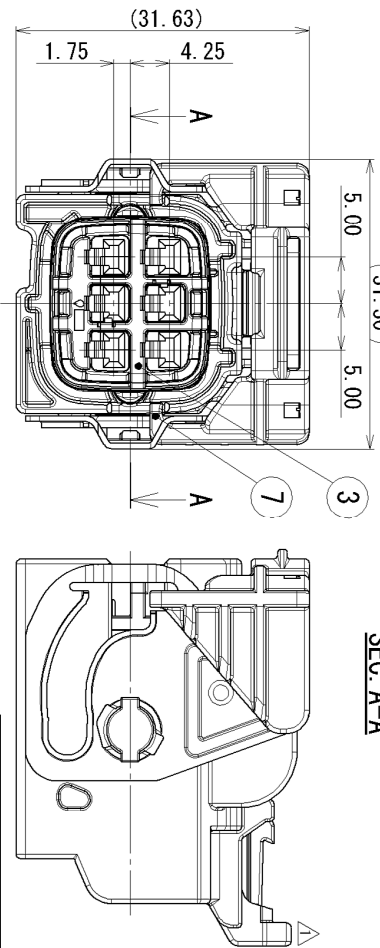
NO.	PART NO. AND CH. CODE	△ PART NAME	MATERIAL	COLOR	QTY.
①	7183-9628	2.3 II 6P SEALED FEMALE INNER HOUSING	PBT-6	NATURAL	1
②	7183-9627-40	2.3 II 6P SEALED FEMALE OUTER HOUSING (TYPE-B)	PBT-6	GRAY	1
③	7158-6768	2.3 II 6P SEALED FEMALE FRONT HOLDER	PBT	NATURAL	1
④	7137-2873-80	2.3 II 6P SEALED PACKING	SILICONE RUBBER	BROWN	1
⑤	7158-9177	2.3 II 6P SEALED LEVER	STAINLESS STEEL	—	1
⑥	7144-1717	2.3 II SEALED SPRING	STAINLESS STEEL	—	2
⑦	7158-9178-10	2.3 II 6P SEALED LEVER COVER	PBT-6	DARK GRAY	1

△ 注記

1. 取扱説明書No. : YPES-15-766

△ NOTE

1. HANDLING MANUAL NO. : YPES-15-766



GENERAL TOLERANCE											
	10 MAX	50 MAX	100 MAX	250 MAX	250 OVR	RS MAX	R10 MAX	R20 MAX	R20 OVR	ANGLE	ECCENT
A	±0.15	±0.2	±0.3	±0.5	±0.75	±0.2	±0.3	±0.5	±2.5	±3°	0.1
B	±0.2	±0.3	±0.55	±0.95	±1.4	±0.3	±0.5	±2.5	±3°	0.1	
C	±0.3	±0.5	±0.8	±1.4	±2	±0.3	±0.5	±2.5	±3°	0.15	

DATE	CHANGED FORM ETC.	NEW	REVISION RECORD	NO.	CHKD	CUSTOMER PART NO.	CUSTOMER DWG NO.	TRIAL PART NO.	NAME	MATL. SPEC.	TREAT. & FIN.
14/08/20	CHANGED FORM ETC.	B			C. A				△ 2.3 II 6P SEALED HOUSING FEMALE	SEE TABLE	
05/08/25	NEW	A			C. T				△ 7283-9627-40, [B]		
									SUB ASSEMBLY (TYPE-B)		
									7283-9627-40:R		
									YAZAKI CORPORATION		

1

2

3