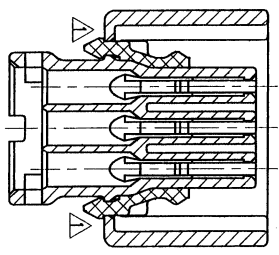
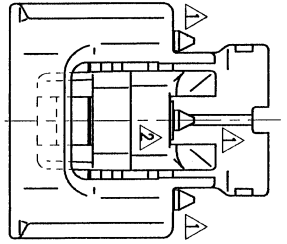
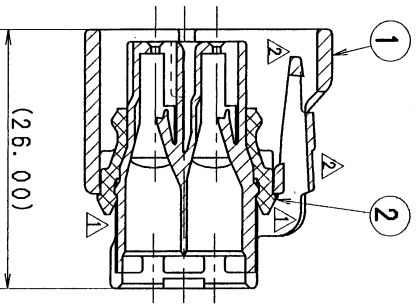
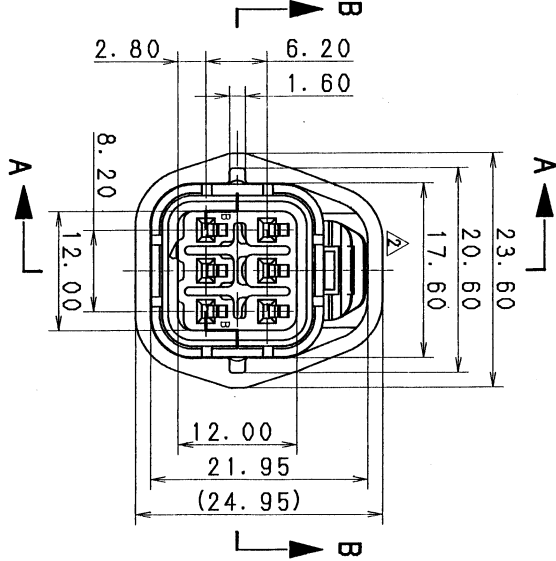


YAZAKI SUB ASS'Y NO.	YAZAKI PART NO.	MATERIAL	COLOR	QTY.
7283-8760-30. [A]	① 7183-8760-30. [A]	PBT	BLACK	1
	② 7137-2615-80	SILICONE RUBBER	RED-IRON	1



SEC. B-B



SEC. A-A

- NOTES
- △ 1. APPLICABLE TERMINAL NO.: 7116-1680-02, 7116-1680-08
 - △ 2. APPLICABLE REAR HOLDER NO.: 7157-4605-80
 - △ 3. MATING PART NO.: 7182-8760-30
 - △ 4. APPLICABLE SEAL RUBBER NO.: 7157-3950-80, 7157-3951-60
 - △ 5. APPLICABLE PLUGGING RUBBER STOPPER NO.: 7157-3952-80

注記

- △ 1. 適用ターミナル品番: 7116-1680-02, 7116-1680-08
- △ 2. 適用リヤホルダ品番: 7157-4605-80
- △ 3. 嵌合相手品番: 7182-8760-30
- △ 4. 適用シール品番: 7157-3950-80, 7157-3951-60
- △ 5. 適用プラグ品番: 7157-3952-80

DATE	REVISION RECORD	NO.	CHKD	CUSTOMER	CUSTOMER PART NO.	CUSTOMER DWG NO.	TRIAL PART NO.	MATL. SPEC.	TREAT. & FIN.	ISSUE MARK		
95.07.11	CHANGED NOTES	C95-M047	A.H									
95.03.03	CHANGED FORM. [A]	C95-L369	K.S									
92.03.02	CHANGED FORM	C92-L138	I.K									
90.09.25	NEW	C90-L993	S.I									
GENERAL TOLERANCE												
10MAX	50MAX	100MAX	250MAX	250OVR	ANGLE	ECCENT	DWG. TYPE	DWG. SOURCE	DWG. DATE	UNIT	SCL	ANGLE
A ±0.15	±0.2	±0.3	±0.5	±0.75	±30'	0.1	R	NEW	90.09.25	mm	2/1	3
B ±0.2	±0.3	±0.55	±0.95	±1.4	±30'	0.1	APPROVED	CHECKED	DESIGN			
C ±0.3	±0.5	±0.8	±1.4	±2	±30'	0.15	承認	検査	設計			
SPECIFIED MASS												
95.07.18 95.07.14 95.07.14 89.11.01 95.07.11												
YAZAKI CORPORATION												

1 2 3