

3

2

1

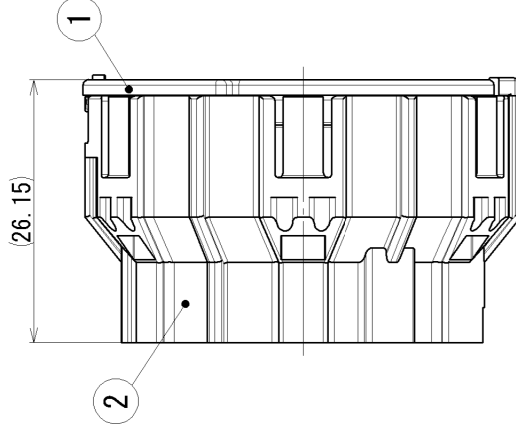
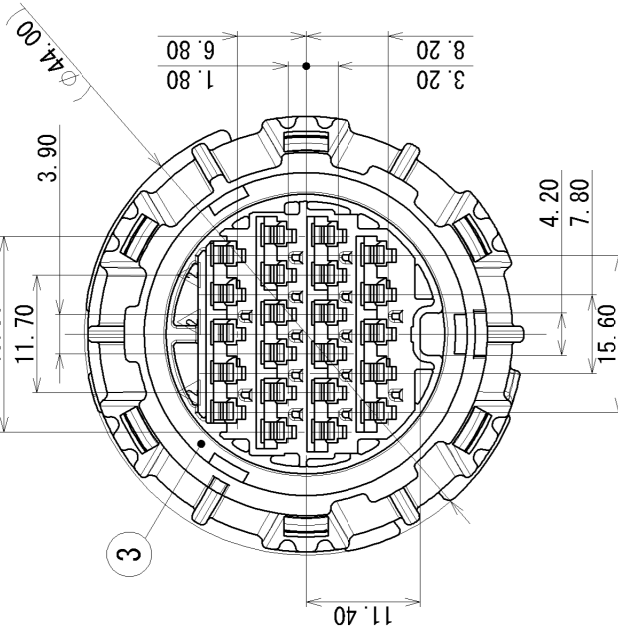
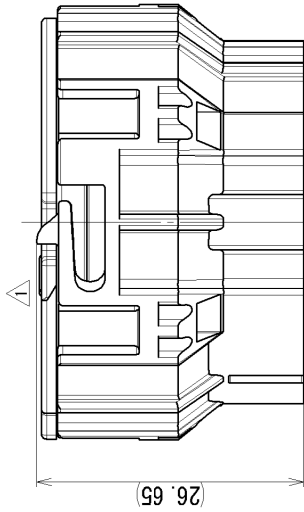
SUB ASSEMBLY PART NO. AND CH. CODE	NO.	PART NO. AND CH. CODE	△ PART NAME	MATERIAL	COLOR	QTY.
△ 7283-8750-30, C	①	7183-8750-30	CVT I III 22P HOUSING FEMALE	PBT	BLACK	1
	②	7173-2177-40 △	CVT I III 22P BAYONET RING TYPE-B	PBT	△ LIGHT GRAY	1
	③	7137-1625-80	PACKING FOR CVT I III CONNECTOR	△ SILICONE RUBBER	BROWN	1

注記

1. 適用フロントホルダ品番 : 7158-5515
2. 適用端子品番 : 7116-1466-02, etc.
3. 適用端子ゴム栓品番 : 7158-3121-80, etc.
4. 適用防水栓品番 : 7157-3992-90, etc.
- △ 5. かん合相手品番 : 7282-8750-30

NOTE

1. APPLICABLE FRONT HOLDER No. : 7158-5515
2. APPLICABLE TERMINAL No. : 7116-1466-02, etc.
3. APPLICABLE PACKING No. : 7158-3121-80, etc.
4. APPLICABLE RUBBER STOPPER No. : 7157-3992-90, etc.
- △ 5. MATING PART No. : 7282-8750-30



B

A

DATE	REVISION RECORD	CHANGED FORM ETC.	CUSTOMER	CUSTOMER PART NO.	CUSTOMER DWG NO.	MATL. SPEC.	SEE TABLE	TREAT. & FIN.	ISSUE MARK
2015/03/18	50MAX	100MAX	A. P	C15-Z128					
2012/01/13	±0.15	±0.3	H. I	C12-Y021					
2002/04/15	±0.2	±0.55	M. O	C02-P561					
LET	DATE	REVISION RECORD	NO.	CHKD					
GENERAL TOLERANCE									
A	±0.15	±0.2	±0.3	±0.5	±0.75	±30'	O. 1		
B	±0.2	±0.3	±0.55	±1.4	±30'	O. 1			
C	±0.3	±0.5	±0.8	±1.4	±30'	O. 15			
SPECIFIED MASS									
8									
K. TAKAHASHI H. IWASAWA T. YOSHIGI A. PIMENTEL									
2015/03/18 2015/03/18 2001/08/03 2015/03/18									
2002/04/15									
2002/04/15									
2:1									
3									
DRAWN									
DESIGN									
CHECKED									
DWG DATE									
UNIT									
mm									
2:1									
SCL									
ANGLE									
PART NO.									
CH. CODE									
△ 7283-8750-30, C									
DWG NO.									
7283-8750-30:R									
SET DRW NO.									
YAZAKI CORPORATION									

3

2

1