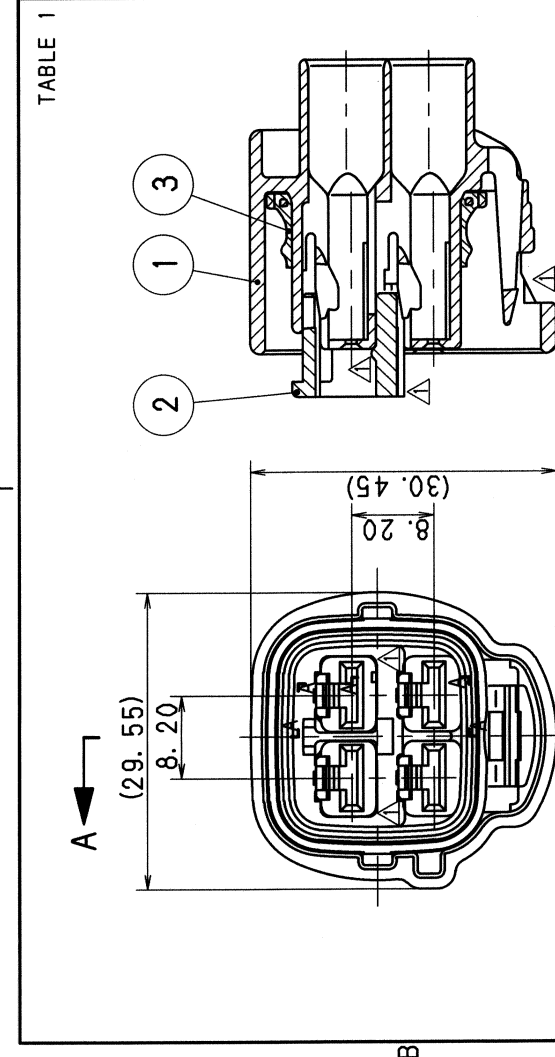


SUB ASSEMBLY PART NO. AND CH. CODE		PART NO. AND CH. CODE		MATERIAL		COLOR		QTY.	
7283-7043 ETC.		①	SEE TABLE 2	PBT		SEE TABLE 2		1	
		②	7157-4119	PBT		NATURAL		1	
		③	7137-2242-30	NBR		BLACK		1	

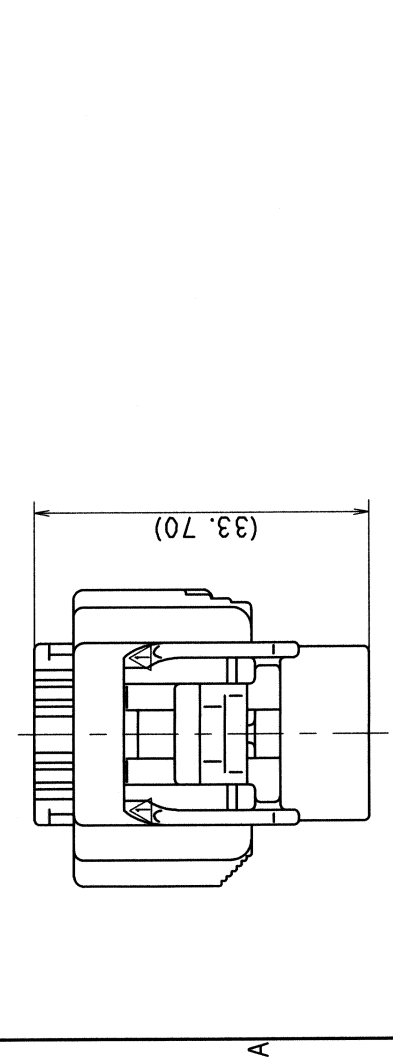
TABLE 2		SUB ASSEMBLY PART NO. AND CH. CODE		PART NO. AND CH. CODE		COLOR	
		7283-7043		7183-7043		NATURAL	
		7283-7043-10		7183-7043-10		DARK GRAY	
		7283-7043-30		7183-7043-30		BLACK	
		7283-7043-40		7183-7043-40		LIGHT GRAY	

注記
 1. 透明端子品番 : 7116-4035 ETC.
 2. 嵌合相手品番 : 7282-7043-40 ETC.

NOTES
 1. APPLICABLE TERMINAL PART NO. : 7116-4035 ETC.
 2. MATING PART NO. : 7282-7043-40 ETC.



SEC. A-A



CHANGED FORM, NOTE, PART NAME & ELIMINATED DIMENSION, COLOR NO.		C04-X225		K. W	
△	04.04.01				
LET	DATE	REVISION	RECORD	NO.	CHKD
	93.03.19	NEW		C93-L377	I. I
GENERAL TOLERANCE		10MAX	50MAX	100MAX	250MAX
A	±0.15	±0.2	±0.3	±0.5	±0.75
B	±0.2	±0.3	±0.55	±0.95	±1.4
(C)	±0.3	±0.5	±0.8	±1.4	±2
SPECIFIED		MASS		g	
				9	

CUSTOMER	CUSTOMER PART NO.	CUSTOMER DWG NO.
OFFICE	TRIAL PART NO.	
VENDOR	VENDOR NO.	
DWG TYPE	DWG SOURCE	DWG DATE
R	NEW	93.03.19
APPROVED	CHECKED	DESIGN
<i>Mg</i>	<i>Y. OHKUBO</i>	TAKEUCHI
APPROVED	CHECKED	DESIGN
		Y. OHKUBO
DWG TYPE	DWG SOURCE	DWG DATE
		04.04.2

MATL. SPEC.	SEE TABLE 1	TREAT. & FIN.
NAME	4.8 (187) 4P SEALED CONNECTOR HOUSING FEMALE SUB ASSEMBLY	
PART NO.	7283-7043 ETC.	
CH. CODE	7283-7043:R	
DWG NO.	7283-7043:R	
YAZAKI CORPORATION		

SUB ASSEMBLY PART NO. AND CH. CODE		PART NO. AND CH. CODE		MATERIAL		COLOR		QTY.	
7283-7043 ETC.		①	SEE TABLE 2	PBT		SEE TABLE 2		1	
		②	7157-4119	PBT		NATURAL		1	
		③	7137-2242-30	NBR		BLACK		1	