

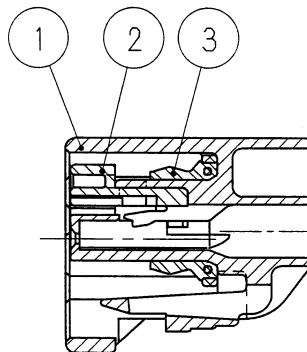
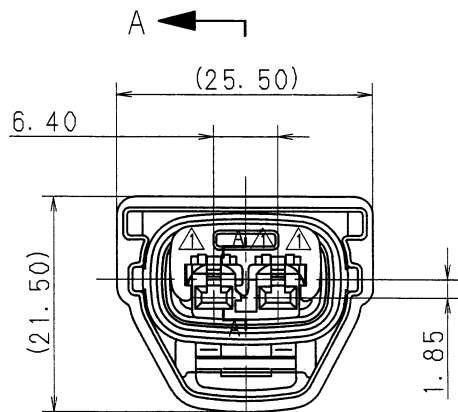
1

2

3

TABLE 1

YAZAKI SUB ASSEMBLY PART NO.	NO.	YAZAKI PART NO.	MATERIAL	COLOR	QTY.
7283-7026-40 ETC.	①	SEE TABLE 2	PBT	SEE TABLE 2	1
	②	7157-4103	PBT	NATURAL	1
	③	△ 7137-2212-60	△ SILICONE RUBBER	△ LIGHT GREEN	1



SEC. A-A

TABLE 2

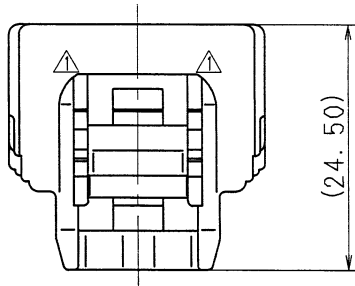
YAZAKI SUB ASSEMBLY PART NO.	YAZAKI PART NO.	COLOR
△ 7283-7026, □	7183-7026	NATURAL
△ 7283-7026-10, □	7183-7026-10	DARK GRAY
7283-7026-30, □	7183-7026-30	BLACK
7283-7026-40, □	7183-7026-40	LIGHT GRAY
△ 7283-7026-50, □	7183-7026-50	ORANGE
△ 7283-7026-60, □	7183-7026-60	GREEN
△ 7283-7026-80, □	7183-7026-80	BROWN
△ 7283-7026-90, □	7183-7026-90	BLUE

## NOTES

1. APPLICABLE TERMINAL NO. : 7116-4025 ETC.
- △ 2. APPLICABLE RUBBER STOPPER NO. : 7158-3006-90 ETC.
3. MATING PART NO. : 7282-7026-40 ETC.

## 注記

1. 適用端子番 : 7116-4025 ETC.
- △ 2. 適用ゴム栓品番 : 7158-3006-90 ETC.
3. 嵌合相手品番 : 7282-7026-40 ETC.



△	97. 12. 19	CHANGED MATERIAL & ADDED PART NO., □	C97-N800	M. T
△	90. 08. 24	ADDED PART NO.	C90-7139	H. A
△	89. 09. 18	CHANGED DRAWING & CHANGED FORM	C89-L983	H. Y
	89. 07. 04	NEW	C89-L705	M. T
LET	DATE	REVISION RECORD	NO.	CHKD

## GENERAL TOLERANCE

	10MAX	50MAX	100MAX	250MAX	2500VR	ANGLE	ECCENT	DWG TYPE	DWG SOURCE	DWG DATE	UNIT	SCL	ANGLE
A	±0.15	±0.2	±0.3	±0.5	±0.75	±30'	0.1	R	NEW	89.07.03	mm	3/2/1	3
B	±0.2	±0.3	±0.55	±0.95	±1.4	±30'	0.1	APPROVED	CHECKED	CHECKED	DESIGN	DRAWN	
△	±0.3	±0.5	±0.8	±1.4	±2	±30'	0.15						
SPECIFIED							MASS						

CUSTOMER	CUSTOMER PART NO.	CUSTOMER DWG NO.
OFFICE	TRIAL PART NO.	
VENDOR		
VENDOR NO.		
加藤	山梨	福谷
98.1.8	98.01.08	97.12.25
		88.05.13
		97.12.19

MATL. SPEC.	SEE TABLE 1	TREAT. & FIN.
NAME	090II 2P SEALED CONNECTOR HOUSING FEMALE SUB ASSEMBLY	
PART NO. CH. CODE	7283-7026-30 ETC.	
DWG NO.	7283-7026-10:R	SET DWG NO.
YAZAKI CORPORATION		

1

2

3