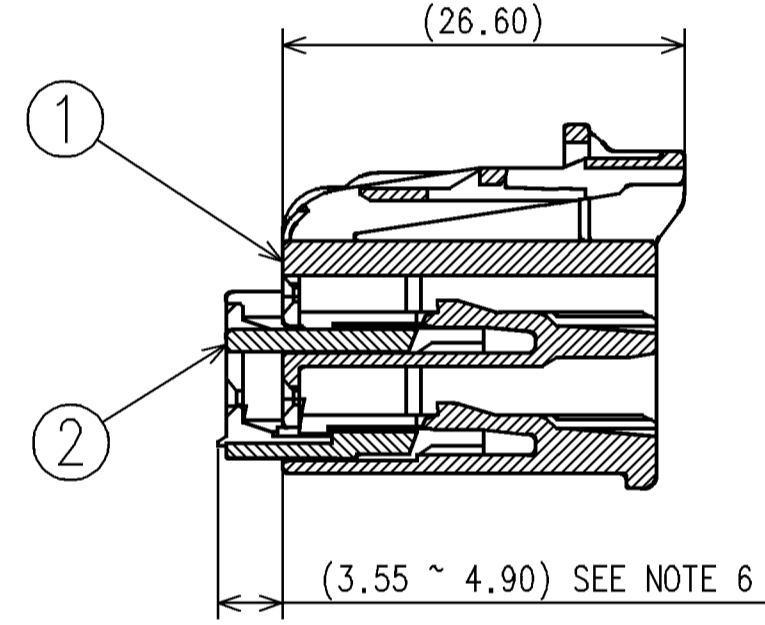
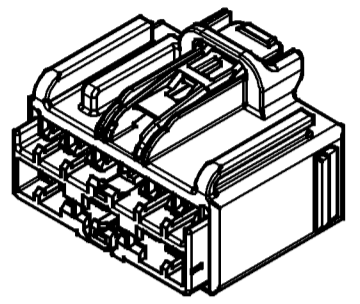


SUB ASSEMBLY PART NUMBER	NO.	PART NUMBER	PART NAME	MATERIAL	COLOR	QUANTITY
7283-6467-40	①	7183-6467-40	12P 2.8 YESC KAIZEN UNSEALED FEMALE HOUSING	PBT + GF	LIGHT GRAY	1
	②	7158-4228-50	12P 2.8 YESC KAIZEN UNSEALED FEMALE TPA	PBT	ORANGE	1
7283-6468-60	①	7183-6468-60	12P 2.8 YESC KAIZEN UNSEALED FEMALE HOUSING	PBT + GF	GREEN	1
	②	7158-4228-50	12P 2.8 YESC KAIZEN UNSEALED FEMALE TPA	PBT	ORANGE	1
7287-7861-90	①	7187-7861-90	12P 2.8 YESC KAIZEN UNSEALED FEMALE HOUSING	PBT + GF	BLUE	1
	②	7158-4228-50	12P 2.8 YESC KAIZEN UNSEALED FEMALE TPA	PBT	ORANGE	1



SECTION A-A

- NOTES:
- PARTS MUST BE PURCHASED FROM YAZAKI.
 - PARTS MUST BE FREE OF FLASH AND IMPERFECTIONS THAT AFFECT FUNCTION.
 - APPLICABLE TERMINAL: SEE 7116-4270-02:R DRAWING. (2.8mm YESC KAIZEN) SEE 7116-4110-02:R DRAWING. (2.8mm YESC)
 - MATING PART NUMBER: 7282-6467-40 (KEYWAY A), OR EQUIVALENT 7282-6468-60 (KEYWAY B), OR EQUIVALENT
 - PART DESIGNED TO SATISFY USCAR-2, REV 3, APRIL 2001, CLASS 2.
 - THIS DIMENSION SHOWS THE PRE-SET POSITION OF THE TPA.
 - THIS DRAWING IS TO BE USED FOR INTERNAL YAZAKI PSW SUBMISSION.
 - PART TO COMPLY WITH YPES-31-038 REQUIREMENTS.

LET	DATE	REVISION RECORD	NO.	CHKD
△	05-31-2011	ADDED C KEYWAY, NOTE 8	C11-A489	MMR
△	01-17-2006	NOTE REVISION	C06-A066	C.B.
-	09-01-2005	NEW	C05-A979	C.B.

GENERAL TOLERANCE								
	10 MAX	50 MAX	100 MAX	250 MAX	250 OVR	ANGLE	ECCENT	
A	±0.15	±0.2	±0.3	±0.5	±0.75	±30°	0.1	
B	±0.2	±0.3	±0.55	±0.95	±1.4	±30°	0.1	
◎	±0.3	±0.5	±0.8	±1.4	±2	±30°	0.15	
	SPECIFIED						WEIGHT	g

CUSTOMER		MATERIAL SPEC.		TREAT & FIN.	
CUSTOMER PART NO.		CUSTOMER DWG NO.		NAME	
OFFICE YNA		STDLIB NO.		12P 2.8 YESC KAIZEN UNSEALED	
VENDOR		VENDOR NO.		FEMALE SUB ASSEMBLY	
DWG TYPE		DWG SOURCE	DWG DATE	UNIT	SCL
R	7283-6467-40:M	09.01.05	mm	2/1	3
APPROVED	CHECKED	CHECKED	DESIGN	DRAWN	
			MICHAEL PERRY		
PART NO.		7283-6467-40 ETC.			
DWG NO.		7283-6467-40:R			
YAZAKI CORPORATION					

