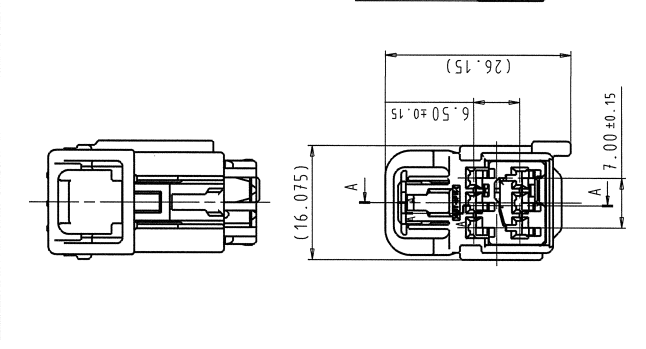


© COPYRIGHT - THIS DRAWING HAS COPYRIGHT AND MAY BE REPRODUCED IN WHOLE OR IN PART WITHOUT THE WRITTEN PERMISSION OF YAZAKI MOTOR CO. EXPRESS WRITTEN CONSENT OF YAZAKI MOTOR CO. LIMITED.

1	2	3	4	5
SUB ASSEMBLY PART NO.	NO.	PART NO.	PART NAME	QTY.
7283-6454-40	①	7183-6454-40	YESC KAIZEN 1.5 SYSTEM CONNECTOR 6P (F) HOUSING, TYPE A	1
7283-6454-50	②	7158-5981	YESC KAIZEN 1.5 SYSTEM CONNECTOR 6P (F) FRONT HOLDER	1
7283-4016-60	①	7183-6454-50	YESC KAIZEN 1.5 SYSTEM CONNECTOR 6P (F) HOUSING, TYPE A	1
7283-4016-60	②	7158-5981	YESC KAIZEN 1.5 SYSTEM CONNECTOR 6P (F) FRONT HOLDER	1
7283-0743-90	①	7183-0743-90	YESC KAIZEN 1.5 SYSTEM CONNECTOR 6P (F) HOUSING, TYPE C	1
7283-0743-90	②	7158-5981	YESC KAIZEN 1.5 SYSTEM CONNECTOR 6P (F) FRONT HOLDER	1
7283-0744-80	①	7183-0744-80	YESC KAIZEN 1.5 SYSTEM CONNECTOR 6P (F) HOUSING, TYPE D	1
7283-0744-80	②	7158-5981	YESC KAIZEN 1.5 SYSTEM CONNECTOR 6P (F) FRONT HOLDER	1
7283-6454-70	①	7183-6454-70	YESC KAIZEN 1.5 SYSTEM CONNECTOR 6P (F) HOUSING, TYPE A	1
7283-6454-70	②	7158-5981	YESC KAIZEN 1.5 SYSTEM CONNECTOR 6P (F) FRONT HOLDER	1

2	3	4	5
MATERIAL	COLOR	QTY.	YAZAKI MATING PART NO.
PBT-GF15	LIGHT GREY	1	7282-6454-40
PBT	NATURAL	1	N/A
PBT-GF15	ORANGE	1	N/A
PBT	NATURAL	1	N/A
PBT-GF15	GREEN	1	N/A
PBT	NATURAL	1	N/A
PBT-GF15	BLUE	1	N/A
PBT	NATURAL	1	N/A
PBT-GF15	BROWN	1	N/A
PBT	NATURAL	1	N/A
PBT-GF15	YELLOW	1	7282-6454-70
PBT	NATURAL	1	N/A

NOTES:
 1. APPLICABLE TERMINAL PART NO.: 7116-4100-02 ETC.
 2. MATING PART NO.: SEE TABLE.
 3. THE MATERIALS USED IN THIS PRODUCT ARE IN CONFORMITY WITH REQUIREMENTS OF EU ELV 2000/53/EC DIRECTIVE AND ASSOCIATED DOCUMENTS.



TYPE A	TYPE B
7283-6454-40, 50, 70	7283-4016-60
TYPE C	TYPE D
7283-0743-90	7283-0744-80

CUSTOMER PART NO.	CUSTOMER DWG NO.	MATL. SPEC.	ISSUE MARK
OFFICE	TRIAL PART NO.	NAME	TREAT. & F.IN.
VENDOR		YESC KAIZEN 1.5 SYSTEM CONNECTOR	
		6P (F) SUB ASSEMBLY	

GENERAL TOLERANCE	10MAX	50MAX	100MAX	250MAX	500VIR	ANGLE	ECCENT
A	±0.15	±0.2	±0.3	±0.5	±0.75	±30'	0.1
B	±0.2	±0.3	±0.55	±0.95	±1.4	±30'	0.1
C	±0.3	±0.5	±0.8	±1.4	±2	±30'	0.15
SPECIFIED	MASS 5.30 g						

LET	DATE	REVISION RECORD	NO.	CHKD
△	13.05.2013	ADDED 7283-6454-70	Y13-0732	G.G.
△	16.09.2005	CHANGE OF CODE C AND D	C05-0705	G.G.
△	01.07.2004	ADD TYPE C AND D	C04-E044	M.K.
△	23.05.2003	ADD TYPE B	C03-E254	M.K.
△	08.08.2002	NEW	C02-E236	M.K.

CUSTOMER	CUSTOMER DWG NO.	DWG. DATE	UNIT	SCL	ANGLE	PART NO.
NEW		08.08.2002	271	3		7283-6454-40, ETC.
APPROVED	CHECKED	DESIGN	DRAWN			SET DWG NO.
I. SCHALLER	G. GREGORIC	KASHIYAMA	G. GREGORIC			7283-6454-40: R

YAZAKI	7283-6454-40	5
--------	--------------	---