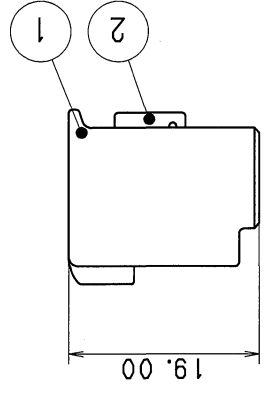
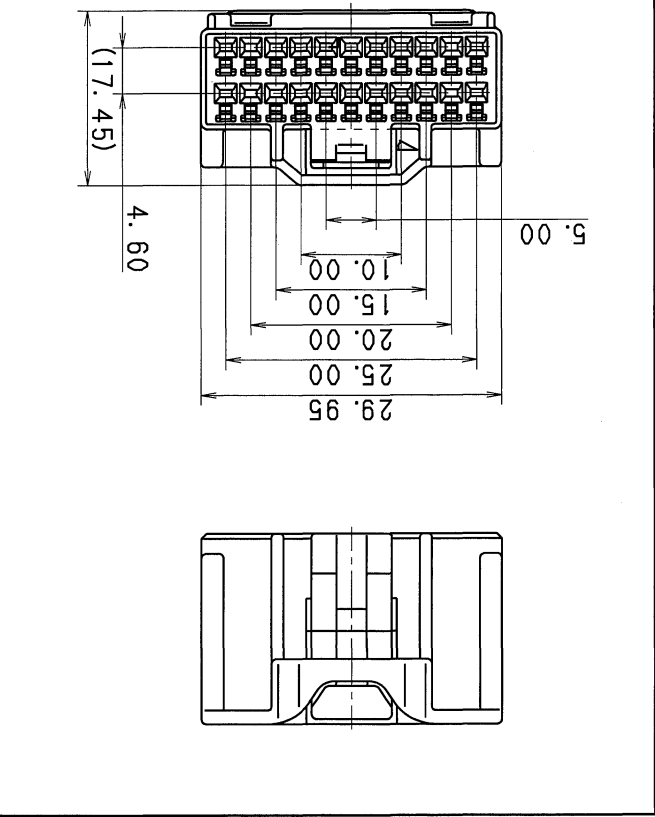


12/03/23	ADD'D NOTES ETC.	C12-2308	J. C.
05/02/15	ADD'D A/B PART NO. □	C05-2267	T. H.
01/10/23	CHANGED PART NAME & ADD'D PART NO.	C01-Y022	M. N.
00/06/30	ELIMINATED COLOR NO. & CHANGED NOTES, □	C00-L884	S. S.
98/09/29	CHANGED FORM	C98-M464	T. M.
98/06/05	ADDED A/B PART NO., CHANGED FORM & ELIMINATED COLOR NO.	C98-M004	T. M.
97/04/24	CHANGED FORM	C97-L758	H. K.
97/03/24	NEW	C97-L584	H. K.
LET DATE	REVISION RECORD	NO.	CHKD
GENERAL TOLERANCE			
10MAX 50MAX 100MAX 250MAX 2500VR	ANGLE	ECCENT	
A ±0.15	±0.2	±0.3	±0.5
B ±0.2	±0.3	±0.55	±0.95
③ ±0.3	±0.5	±0.8	±1.4
SPECIFIED			
12/03/23	M. FUKUDA	12/03/23	12/03/23
12/03/23	T. HIRAKAWA	12/03/23	12/03/23
12/03/23	N. NISHIYAMA	12/03/23	12/03/23
12/03/23	T. MIWA	12/03/23	12/03/23
12/03/23	J. CANDO	12/03/23	12/03/23

CUSTOMER PART NO.		CUSTOMER DWG NO.	
OFFICE		TRIAL PART NO.	
VENDOR		VENDOR NO.	
ECCENT		DWG TYPE	DWG SOURCE
0.1	R	NEW	97/03/24
0.1	3	2:1	3
PART NO. △7283-5834 ETC. (7C83-5834 ETC.)		CH. CODE	
DWG NO. 7283-5834:R		SET DWG NO.	
YAZAKI CORPORATION			



注記

1. 対応部品番: 7282-5834 ETC.
2. 取扱説明書No. YPES-15-274
3. ( ) 内品番はエ/フ/ツ (A/B) 回路及び特別管理回路に使用する時に適用すること。

NOTES

1. MATING PART NO.: 7282-5834 ETC.
2. HANDLING MANUAL NO. YPES-15-274.
3. PART NUMBERS IN PARENTHESES SHALL BE USED FOR AIR BAG (A/B) CIRCUITS AND OTHER CIRCUITS DESIGNATED FOR SPECIAL MONITORING.

SUB ASSEMBLY PART NO. AND CH. CODE		SUB ASSEMBLY PART NO. AND CH. CODE	
7283-5834 ETC.	②	7158-4729	△ (7B58-4729)
SEE TABLE 2	①	SEE TABLE 2	PBT
QTY.	1	COLOR	NATURAL
PART NO. AND CH. CODE		SUB ASSEMBLY PART NO. AND CH. CODE	
7283-5834	△	7283-5834	□ (7C83-5834)
7183-5834	△	7183-5834	□ (7B83-5834)
7283-5834-30	△	7283-5834-30	□ (7B83-5834-30)
7283-5834-40	△	7283-5834-40	□ (7B83-5834-40)
7283-5834-51	△	7283-5834-51	□ (7B83-5834-51)
7183-5834-90	△	7183-5834-90	□ (7B83-5834-90)
7283-5834-90	△	7283-5834-90	□ (7C83-5834-90)
SAE ORANGE		BLUE	

A

B

1  
2  
3

1  
2  
3