

3

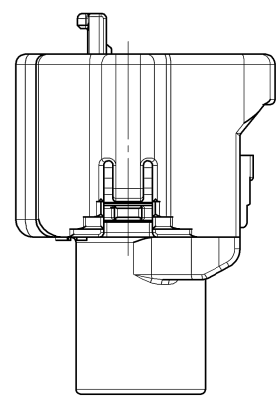
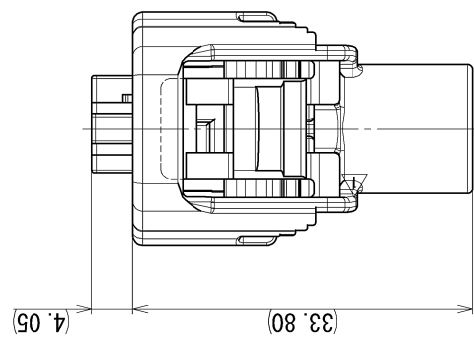
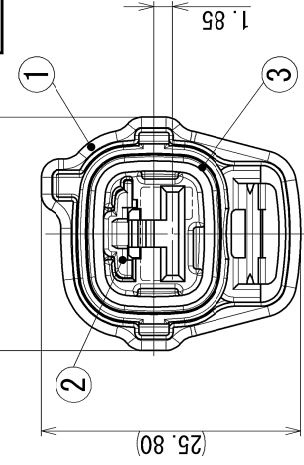
2

1

SUB ASSEMBLY PART NO. AND CH. CODE		PART NO. AND CH. CODE		PART NAME		MATERIAL		COLOR		△ QTY.	
7283-3013-10 ETC.		①	SEE TABLE 2	8.0 1P SEALED HOUSING FEMALE		PBT		SEE TABLE 2		1	
		②	7157-4359	8.0 1P SEALED SPACER FEMALE		PBT		NATURAL		1	
		③	7137-2605-30	8.0 1P SEALED PACKING		NBR		BLACK		1	

TABLE 2  
SUB ASSEMBLY PART NO. AND CH. CODE

SUB ASSEMBLY PART NO. AND CH. CODE	PART NO. AND CH. CODE	COLOR
△ 7283-3013, [A]	7183-3013	NATURAL
△ 7283-3013-10, [A]	7183-3013-10	DARK GRAY
△ 7283-3013-30, [A]	7183-3013-30	BLACK
△ 7283-3013-40, [A]	7183-3013-40	LIGHT GRAY
△ 7283-3013-50, [A]	7183-3013-50	ORANGE
△ 7283-3013-51, [A]	7183-3013-51	SAE ORENGE
△ 7283-3013-60, [A]	7183-3013-60	GREEN
△ 7283-3013-80, [A]	7183-3013-80	BROWN
△ 7283-3013-90, [A]	7183-3013-90	BLUE



△ 注記

1. 取扱説明書NO.: YPES-15-222

△ NOTE

1. HANDING MANUAL NO.: YPES-15-222

A

△	2016/10/06	ADDED COLER NO., ETC.	C16-Y186	Y. H	CUSTOMER	CUSTOMER PART NO.	CUSTOMER DWG NO.	MATL. SPEC.	SEE TABLE 1	TREAT. & F.IN.	ISSUE MARK
△	1995/11/24	CHANGED FORM & ADDED PART NO. [A]	C95-M974	M. T	OFFICE			NAME △	8.0 1P SEALED HOUSING FEMALE		
LET	DATE	REVISION RECORD	NO.	CHKD	VENDOR	VENDOR NO.	TRIAL PART NO.	SUB ASSEMBLY			
GENERAL TOLERANCE											
A	±0.15	±0.2	±0.3	±0.5	±0.75	±30'	ANGLE	10MAX	50MAX	100MAX	250MAX
B	±0.2	±0.3	±0.55	±0.95	±1.4	±30'	ANGLE	±0.3	±0.5	±0.75	±30'
③	±0.3	±0.5	±0.8	±1.4	±2	±30'	ANGLE	±0.2	±0.3	±0.55	±1.4
SPECIFIED MASS											
		APPROVED		M. MAGANO		S. ONODA		YAMAMOTO		Y. HANAI	
		CHECKED		1990/06/27		1990/06/27		2:1		3	
		DWG SOURCE		NEW		CHECKED		DESIGN		DRAWN	
		DWG TYPE		R		CHECKED		DRAWN		YAMAMOTO	
		DWG DATE		1990/06/27		mm		2:1		3	
		UNIT		mm		SCL		2:1		3	
		ANGLE		30'		DRAWN		YAMAMOTO		Y. HANAI	
		APPROVED		M. MAGANO		S. ONODA		YAMAMOTO		Y. HANAI	
		CHECKED		1990/06/27		1990/06/27		2:1		3	
		DWG SOURCE		NEW		CHECKED		DESIGN		DRAWN	
		DWG TYPE		R		CHECKED		DRAWN		YAMAMOTO	
		DWG DATE		1990/06/27		1990/06/27		2:1		3	
		UNIT		mm		SCL		2:1		3	
		ANGLE		30'		DRAWN		YAMAMOTO		Y. HANAI	
		APPROVED		M. MAGANO		S. ONODA		YAMAMOTO		Y. HANAI	
		CHECKED		1990/06/27		1990/06/27		2:1		3	
		DWG SOURCE		NEW		CHECKED		DESIGN		DRAWN	
		DWG TYPE		R		CHECKED		DRAWN		YAMAMOTO	
		DWG DATE		1990/06/27		1990/06/27		2:1		3	
		UNIT		mm		SCL		2:1		3	
		ANGLE		30'		DRAWN		YAMAMOTO		Y. HANAI	
		APPROVED		M. MAGANO		S. ONODA		YAMAMOTO		Y. HANAI	
		CHECKED		1990/06/27		1990/06/27		2:1		3	
		DWG SOURCE		NEW		CHECKED		DESIGN		DRAWN	
		DWG TYPE		R		CHECKED		DRAWN		YAMAMOTO	
		DWG DATE		1990/06/27		1990/06/27		2:1		3	
		UNIT		mm		SCL		2:1		3	
		ANGLE		30'		DRAWN		YAMAMOTO		Y. HANAI	
		APPROVED		M. MAGANO		S. ONODA		YAMAMOTO		Y. HANAI	
		CHECKED		1990/06/27		1990/06/27		2:1		3	
		DWG SOURCE		NEW		CHECKED		DESIGN		DRAWN	
		DWG TYPE		R		CHECKED		DRAWN		YAMAMOTO	
		DWG DATE		1990/06/27		1990/06/27		2:1		3	
		UNIT		mm		SCL		2:1		3	
		ANGLE		30'		DRAWN		YAMAMOTO		Y. HANAI	
		APPROVED		M. MAGANO		S. ONODA		YAMAMOTO		Y. HANAI	
		CHECKED		1990/06/27		1990/06/27		2:1		3	
		DWG SOURCE		NEW		CHECKED		DESIGN		DRAWN	
		DWG TYPE		R		CHECKED		DRAWN		YAMAMOTO	
		DWG DATE		1990/06/27		1990/06/27		2:1		3	
		UNIT		mm		SCL		2:1		3	
		ANGLE		30'		DRAWN		YAMAMOTO		Y. HANAI	
		APPROVED		M. MAGANO		S. ONODA		YAMAMOTO		Y. HANAI	
		CHECKED		1990/06/27		1990/06/27		2:1		3	
		DWG SOURCE		NEW		CHECKED		DESIGN		DRAWN	
		DWG TYPE		R		CHECKED		DRAWN		YAMAMOTO	
		DWG DATE		1990/06/27		1990/06/27		2:1		3	
		UNIT		mm		SCL		2:1		3	
		ANGLE		30'		DRAWN		YAMAMOTO		Y. HANAI	
		APPROVED		M. MAGANO		S. ONODA		YAMAMOTO		Y. HANAI	
		CHECKED		1990/06/27		1990/06/27		2:1		3	
		DWG SOURCE		NEW		CHECKED		DESIGN		DRAWN	
		DWG TYPE		R		CHECKED		DRAWN		YAMAMOTO	
		DWG DATE		1990/06/27		1990/06/27		2:1		3	
		UNIT		mm		SCL		2:1		3	
		ANGLE		30'		DRAWN		YAMAMOTO		Y. HANAI	
		APPROVED		M. MAGANO		S. ONODA		YAMAMOTO		Y. HANAI	
		CHECKED		1990/06/27		1990/06/27		2:1		3	
		DWG SOURCE		NEW		CHECKED		DESIGN		DRAWN	
		DWG TYPE		R		CHECKED		DRAWN		YAMAMOTO	
		DWG DATE		1990/06/27		1990/06/27		2:1		3	
		UNIT		mm		SCL		2:1		3	
		ANGLE		30'		DRAWN		YAMAMOTO		Y. HANAI	
		APPROVED		M. MAGANO		S. ONODA		YAMAMOTO		Y. HANAI	
		CHECKED		1990/06/27		1990/06/27		2:1		3	
		DWG SOURCE		NEW		CHECKED		DESIGN		DRAWN	
		DWG TYPE		R		CHECKED		DRAWN		YAMAMOTO	
		DWG DATE		1990/06/27		1990/06/27		2:1		3	
		UNIT		mm		SCL		2:1		3	
		ANGLE		30'		DRAWN		YAMAMOTO		Y. HANAI	
		APPROVED		M. MAGANO		S. ONODA		YAMAMOTO		Y. HANAI	
		CHECKED		1990/06/27		1990/06/27		2:1		3	
		DWG SOURCE		NEW		CHECKED		DESIGN		DRAWN	
		DWG TYPE		R		CHECKED		DRAWN		YAMAMOTO	
		DWG DATE		1990/06/27		1990/06/27		2:1		3	
		UNIT		mm		SCL		2:1		3	
		ANGLE		30'		DRAWN		YAMAMOTO		Y. HANAI	
		APPROVED		M. MAGANO		S. ONODA		YAMAMOTO		Y. HANAI	
		CHECKED		1990/06/27		1990/06/27		2:1		3	
		DWG SOURCE		NEW		CHECKED		DESIGN		DRAWN	
		DWG TYPE		R		CHECKED		DRAWN		YAMAMOTO	
		DWG DATE		1990/06/27		1990/06/27		2:1		3	
		UNIT		mm		SCL		2:1		3	
		ANGLE		30'		DRAWN		YAMAMOTO		Y. HANAI	
		APPROVED		M. MAGANO		S. ONODA		YAMAMOTO		Y. HANAI	
		CHECKED		1990/06/27		1990/06/27		2:1		3	
		DWG SOURCE		NEW		CHECKED		DESIGN		DRAWN	
		DWG TYPE		R		CHECKED		DRAWN		YAMAMOTO	
		DWG DATE		1990/06/27		1990/06/27		2:1		3	
		UNIT		mm		SCL		2:1		3	
		ANGLE		30'		DRAWN		YAMAMOTO		Y. HANAI	
		APPROVED		M. MAGANO		S. ONODA		YAMAMOTO		Y. HANAI	
		CHECKED		1990/06/27		1990/06/27		2:1		3	
		DWG SOURCE		NEW		CHECKED		DESIGN		DRAWN	
		DWG TYPE		R		CHECKED		DRAWN		YAMAMOTO	
		DWG DATE		1990/06/27		1990/06/27		2:1		3	
		UNIT		mm		SCL		2:1		3	
		ANGLE		30'		DRAWN		YAMAMOTO		Y. HANAI	
		APPROVED		M. MAGANO		S. ONODA		YAMAMOTO		Y. HANAI	
		CHECKED		1990/06/27		1990/06/27		2:1		3	
		DWG SOURCE		NEW		CHECKED		DESIGN		DRAWN	
		DWG TYPE		R		CHECKED		DRAWN		YAMAMOTO	
		DWG DATE		1990/06/27		1990/06/27		2:1		3	
		UNIT		mm		SCL		2:1		3	
		ANGLE		30'		DRAWN		YAMAMOTO		Y. HANAI	
		APPROVED		M. MAGANO		S. ONODA		YAMAMOTO		Y. HANAI	
		CHECKED		1990/06/27		1990/06/27		2:1		3	
		DWG SOURCE		NEW		CHECKED		DESIGN		DRAWN	
		DWG TYPE		R		CHECKED		DRAWN		YAMAMOTO	
		DWG DATE		1990/06/27		1990/06/27		2:1		3	
		UNIT		mm		SCL		2:1		3	
		ANGLE		30'		DRAWN		YAMAMOTO		Y. HANAI	
		APPROVED		M. MAGANO		S. ONODA		YAMAMOTO		Y. HANAI	
		CHECKED		1990/06/27		1990/06/27		2:1		3	
		DWG SOURCE		NEW		CHECKED		DESIGN		DRAWN	
		DWG TYPE		R		CHECKED		DRAWN		YAMAMOTO	
		DWG DATE		1990/06/27		1990/06/27		2:1		3	
		UNIT		mm		SCL		2:1		3	
		ANGLE		30'		DRAWN		YAMAMOTO		Y. HANAI	
		APPROVED		M. MAGANO		S. ONODA		YAMAMOTO		Y. HANAI	
		CHECKED		1990/06/27		1990/06/27		2:1		3	
		DWG SOURCE		NEW		CHECKED		DESIGN		DRAWN	
		DWG TYPE		R		CHECKED		DRAWN		YAMAMOTO	
		DWG DATE		1990/06/27		1990/06/27		2:1		3	
		UNIT		mm		SCL		2:1		3	
		ANGLE		30'		DRAWN		YAMAMOTO		Y. HANAI	
		APPROVED		M. MAGANO		S. ONODA		YAMAMOTO		Y. HANAI	
		CHECKED		1990/06/27		1990/06/27		2:1		3	
		DWG SOURCE		NEW		CHECKED		DESIGN		DRAWN	
		DWG TYPE		R		CHECKED		DRAWN		YAMAMOTO	
		DWG DATE		1990/06/27		1990/06/27					