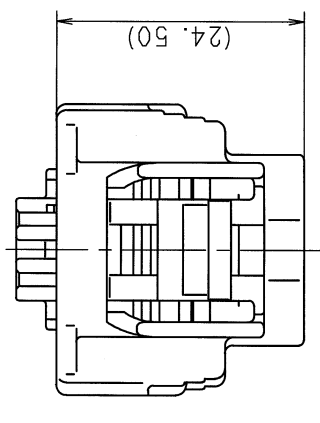
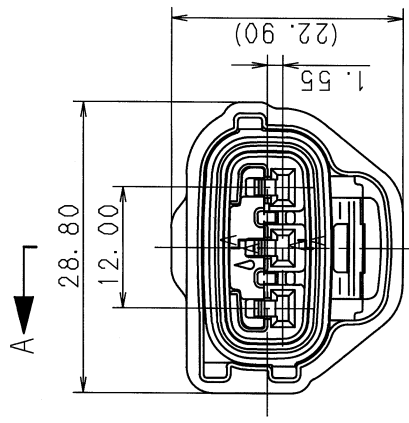
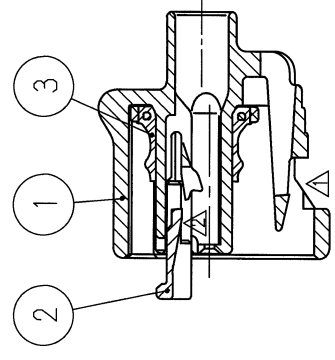


TABLE 1

| SUB ASSEMBLY PART NO. AND CH. CODE | NO. | PART NO. AND CH. CODE | MATERIAL | COLOR | QTY. |
|------------------------------------|-----|-----------------------|-----------------|-------------|------|
| 7283-1133-10 ETC. | ① | SEE TABLE 2 | PBT | SEE TABLE 2 | 1 |
| | ② | 7157-4361 | PBT | NATURAL | 1 |
| | ③ | 7137-2608-60 | SILICONE RUBBER | LIGHT GREEN | 1 |

TABLE 2

| SUB ASSEMBLY PART NO. AND CH. CODE | PART NO. AND CH. CODE | COLOR |
|------------------------------------|-----------------------|------------|
| 7283-1133-10 | 7183-1133 | NATURAL |
| 7283-1133-10 | 7183-1133-10 | DARK GRAY |
| 7283-1133-30 | 7183-1133-30 | BLACK |
| 7283-1133-40 | 7183-1133-40 | LIGHT GRAY |
| 7283-1133-50 | 7183-1133-50 | ORANGE |
| 7283-1133-80 | 7183-1133-80 | BROWN |



SEC. A-A

注記
 1. 通用端子品番 : 7116-4025 ETC.
 2. 通用ゴム栓品番 : 7158-3007-10 ETC.

NOTES
 1. APPLICABLE TERMINAL NO. : 7116-4025 ETC.
 2. APPLICABLE RUBBER STOPPER NO. : 7158-3007-10 ETC.

| | | | |
|-------------------|-----------------------------------|----------|--------|
| 01.10.22 | ELIMINATE PART NO. & CHANGED NAME | C01-Y076 | C. T |
| 98.01.07 | CHANGED MATERIAL & PART NO. | C97-N784 | A. A |
| 97.06.17 | CHANGED FORM | C97-M229 | M. T |
| 95.12.18 | CHANGED FORM & ADDED PART NO. | C95-N008 | M. T |
| 91.03.04 | NEW | C91-L173 | K. I |
| LET DATE | REVISION RECORD | NO. | CHKD |
| GENERAL TOLERANCE | | | |
| 10MAX | 50MAX | 100MAX | 2500VR |
| A ±0.15 | ±0.3 | ±0.5 | ±0.75 |
| B ±0.2 | ±0.55 | ±0.95 | ±1.4 |
| C ±0.3 | ±0.5 | ±0.8 | ±1.4 |
| SPECIFIED MASS | | | |
| | | | g |

| | | |
|------------|-------------------|------------------|
| CUSTOMER | CUSTOMER PART NO. | CUSTOMER DWG NO. |
| OFFICE | TRIAL PART NO. | |
| VENDOR | | |
| VENDOR NO. | | |
| DWG TYPE | DWG SOURCE | DWG DATE |
| R | NEW | 91.03.04 |
| APPROVED | CHECKED | DESIGN |
| WJ 217 | 山梨 | MATSUURA |
| | | ISHIJIMA |
| | | 杉山 |
| | | 89.08.02 |
| | | 01.10.25 |
| | | 01.10.23 |
| | | 89.08.02 |
| | | 01.10.22 |

| | | |
|-------------------|--|---------------|
| MATL. SPEC. | SEE TABLE 1 | TREAT. & FIN. |
| NAME | 2.3II(090II) 3P SEALED CONNECTOR HOUSING FEMALE SUB ASSEMBLY | |
| PART NO. CH. CODE | 7283-1133-10 ETC. | |
| DWG NO. | 7283-1133-10:R | |
| SET DWG NO. | YAZAKI CORPORATION | |