

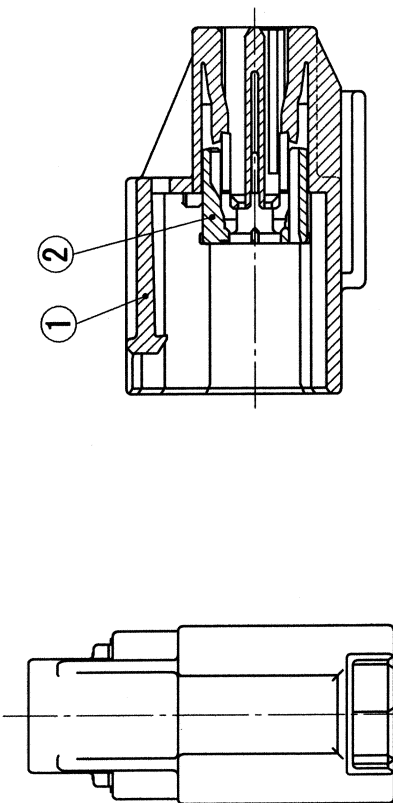
3

2

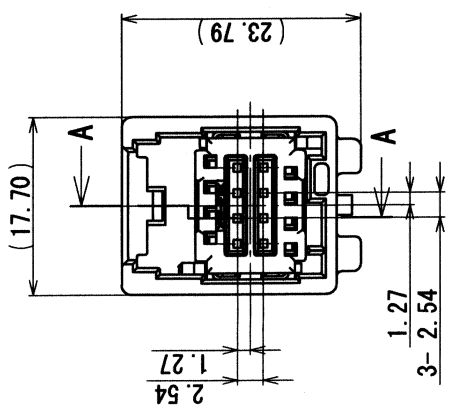
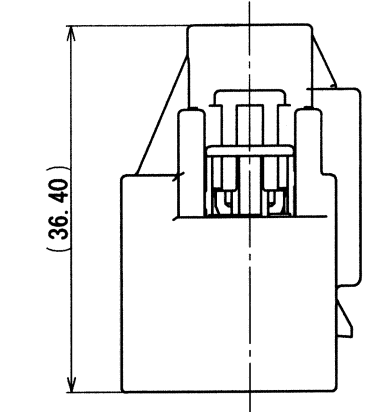
1

SUB ASSEMBLY PART NO. AND CH. CODE	NO.	PART NO. AND CH. CODE	MATERIAL	COLOR	QTY.
7282-9022-30	①	7182-9022-30	PBT-G	BLACK	1
	②	7158-6589	PBT-G	NATURAL	1

GENERAL TOLERANCE						
	10 MAX	50 MAX	100 MAX	250 MAX	R10 MAX	R20 MAX
A	±0.15	±0.2	±0.3	±0.5	±0.75	±2.5
B	±0.2	±0.3	±0.55	±0.95	±1.4	±2.5
C	±0.3	±0.5	±0.8	±1.4	±2	±2.5



SEC. A-A

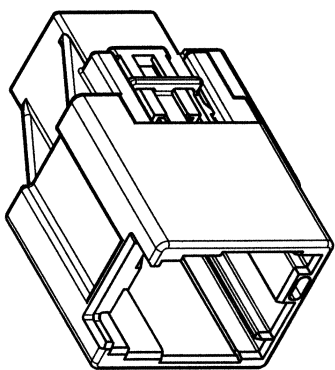


注記

1. 嵌合相手品番 : 7283-9028-30
2. 適応端子品番 : 7114-4618-02 ETC.

NOTES

1. MATING PART NO. : 7283-9028-30.
2. APPLICABLE TERMINAL NO. : 7114-4618-02 ETC.



ISSUE MARK

LET	DATE	REVISION RECORD	NO.	CHKD	T.M	OFFICE	VENDOR	CUSTOMER PART NO.	CUSTOMER DWG NO.	TRIAL PART NO.	MATL. SPEC.	SEE TABLE	TREAT. & FIN.
	04.07.15	NEW	C04-7730										
GENERAL TOLERANCE													
A	10MAX	50MAX	100MAX	250MAX	250OVR	ANGLE	ECCENT	DWG TYPE	DWG SOURCE	DWG DATE	UNIT	SCL	ANGLE
	±0.15	±0.2	±0.3	±0.5	±0.75	±30'	0.1	R	NEW	04.07.15	mm	2/1	3
B	±0.2	±0.3	±0.55	±0.95	±1.4	±30'	0.1		CHECKED				
C	±0.3	±0.5	±0.8	±1.4	±2	±30'	0.15	APPROVED	14. Wada T. Miyakawa	DESIGN	T. MIYAKAWA	J. GAVILANGA	
SPECIFIED							MASS	8		04.07.15	04.07.15	04.06.10	04.07.15
PART NO. 7282-9022-30													
CH. CODE													
DWG NO. 7282-9022-30:R													
SET DRW NO.													
NAME KAIZEN 0.64 SYSTEM UNSEALED													
CONNECTOR 8P (M) SUB ASSEMBLY													
YAZAKI CORPORATION													

3

2

1