

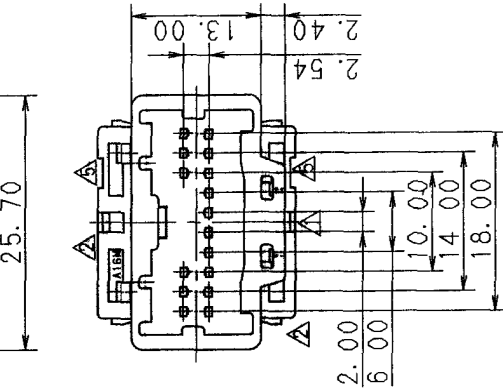
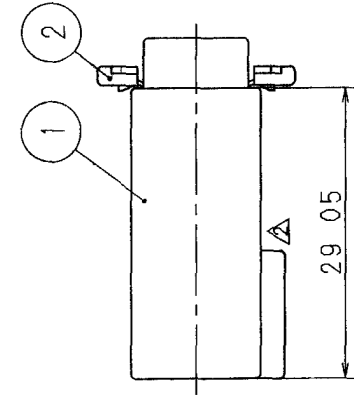
3

2

SUB ASSEMBLY PART NO AND CH CODE	PART NO AND CH CODE	MATERIAL (COLOR)	△QTY
7282-8665 △(7C82-8665)	① 7182-8665 △(7B82-8665)	PBT (NATURAL)	1
	② 7157-6771 △(7B57-6771)	△ PBT (NATURAL)	1

注記

- 1 該当部品番号は、7283-8665
- △ 2. 透明端子番は、7114-1670-02 (7B14-1670-02),
7114-1670-08,
7114-1800-02
- △ 3. () 内品番は、エアバッグ(A/B)回路及び特別管理回路に使用する時に適用すること。



NOTES

- 1. MATING PART NO. 7283-8665.
- △ 2. APPLICABLE TERMINAL NO 7114-1670-02 (7B14-1670-02),
7114-1670-08,
7114-1800-02
- △ 3 PART NUMBERS IN PARENTHESIS SHALL BE USED FOR AIR BAG (A/B) CIRCUITS AND OTHER CIRCUITS DESIGNATED FOR SPECIAL MONITORING.

△ 00 09.25	CORRECTION OF A	C00-M239	D. S
△ 98 11.07	CLERICAL ERROR	C98-M885	K. U
△ 94 11 18	ADDED A/B PART NO ETC	C94-M537	Q. S
△ 93.07.20	CH. REAR HOLDER COLOR	C93-6832	N. S
△ 91 04 8	CHANGED FORM	C91-6573	H. Y
— 90 09.17	NEW	C90-6879	H. Y
LET DATE	REVISION RECORD NO.	CHKD	
GENERAL TOLERANCE			
10MAX	50MAX	100MAX	250MAX
A ±0.15	±0.2	±0.3	±0.5
B ±0.2	±0.3	±0.55	±0.95
C ±0.3	±0.5	±0.8	±1.4
SPECIFIED MASS			
g			

CUSTOMER	CUSTOMER PART NO.	CUSTOMER DWG NO.	TRIAL PART NO.	OFFICE	VENDOR	VENDOR NO
DWG TYPE	DWG SOURCE	DWG DATE	UNIT	SCL	ANGLE	
R	NEW	90.09.17	mm	2/1	3	
APPROVED	CHECKED	CHECKED	DESIGN	DRAWN		
5	—	5	H SAITOH	ISHIJIMA		
DATE	TIME	DATE	TIME	DATE	TIME	
00.09.26		00.09.26		90.09.17	00.09.25	

MATL SPEC	SEE TABLE	TREAT & FIN.	ISSUE MARK
NAME	A TYPE CONNECTOR 16P (M) SUB ASSEMBLY		
PART NO.	△ 7282-8665	(7C82-8665)	
CH CODE			
DWG NO	7282-8665:R	SET DWG NO	
YAZAKI CORPORATION			

3

2

1