

3

2

1

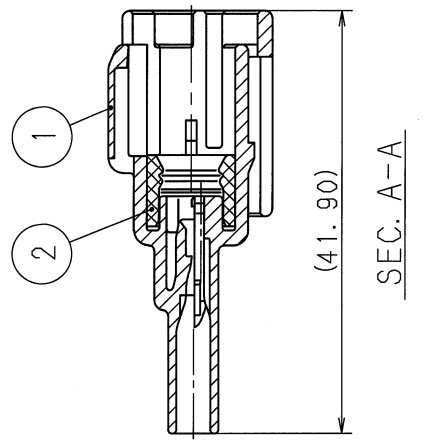
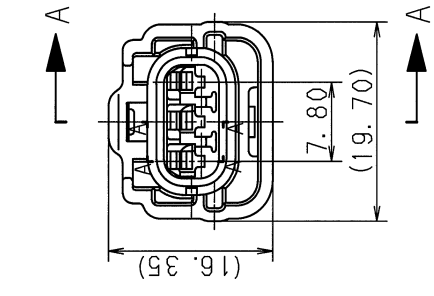
SUB ASSEMBLY PART NO. AND CH. CODE	NO.	PART NO. AND CH. CODE	MATERIAL	COLOR	QTY.
7282-7771-80 (7C82-7771-80)	①	7182-7771-80 △(7B82-7771-80)	PBT	DARK BROWN	1
	②	7137-2538-80 △(7B37-2538-80)	SILICONE RUBBER	BROWN	1
7282-7771-10	①	7182-7771-10	PBT	DARK GRAY	1
	②	7137-2538-80	SILICONE RUBBER	BROWN	1

注記

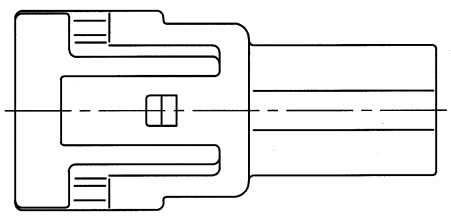
- △ 1. 嵌合相手品番 : 7183-7771-80 (7B83-7771-80), 7183-7771-10
- △ 2. 適用端子品番 : 7114-1466-02 (7B14-1466-02) ETC.
- △ 3. 適用フロントホルダ品番 : 7158-4882 (7B58-4882)
- △ 4. 適用ゴム栓品番 : 7158-3120-90 (7B58-3120-90) ETC.
- △ 5. 適用防水栓品番 : 7157-3992-90 (7B57-3992-90)
- △ 6. ( ) 内品番は、エアハツグ (A/B) 回路及び、特別管理回路に使用するとき、適用すること。

NOTES

- △ 1. MATING PART NO. : 7183-7771-80 (7B83-7771-80), 7183-7771-10
- △ 2. APPLICABLE TERMINAL NO. : 7114-1466-02 (7B14-1466-02) ETC.
- △ 3. APPLICABLE FRONT HOLDER NO. : 7158-4882 (7B58-4882)
- △ 4. APPLICABLE SEAL RUBBER NO. : 7158-3120-90 (7B58-3120-90) ETC.
- △ 5. APPLICABLE RUBBER STOPPER NO. : 7157-3992-90 (7B57-3992-90)
- △ 6. ( ) PART NO. IS USED FOR PARTS ASSOCIATED WITH A/B CIRCUITS OR OTHER SPECIFIED CIRCUIT.



SEC. A-A



LET	DATE	REVISION RECORD	NO.	CHKD	T. H	C03-X619	C03-X108	C98-L593	CHGD	MASS	g
△	03.10.06	ADDED A/B PART NO. & ADDED NOTE									
△	02.01.28	ADDED COLOR NO. & CHANGED NOTE									
	98.04.02	NEW									
GENERAL TOLERANCE											
A	±0.15	50MAX	100MAX	250MAX	2500V	ANGLE	ECCENT				
B	±0.2	±0.3	±0.5	±0.75	±30'	0.1					
C	±0.2	±0.3	±0.55	±0.95	±1.4	±30'	0.1				
	±0.3	±0.5	±0.8	±1.4	±2						
SPECIFIED											

CUSTOMER	CUSTOMER PART NO.	CUSTOMER DWG NO.	OFFICE	VENDOR	VENDOR NO.	DWG TYPE	DWG SOURCE	DWG DATE	UNIT	SCL	ANGLE
						R	NEW	98.04.02	mm	2/1	3
APPROVED	CHECKED	CHECKED	DESIGN	DRAWN							
5/ 2 15	入倉	源井	M. TSUJ I	Y. OHKUBO							
03.11.05	103.10.31	03.10.31	97.06.20	03.10.06							

MATL. SPEC.	SEE TABLE	TREAT. & FIN.	ISSUE MARK
NAME	RK-TYPE CONNECTOR		
	△ 3PM (BR, DGY) SUB ASSEMBLY		
PART NO. CH. CODE	△ 7282-7771-80 (7C82-7771-80)		
DWG NO.	7282-7771-80 : R	SET DWG NO.	
YAZAKI CORPORATION			

1

2

3

1

2

3