

3

2

1

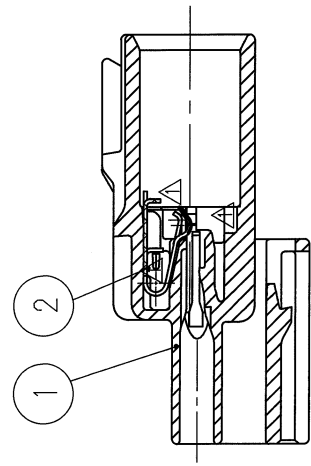
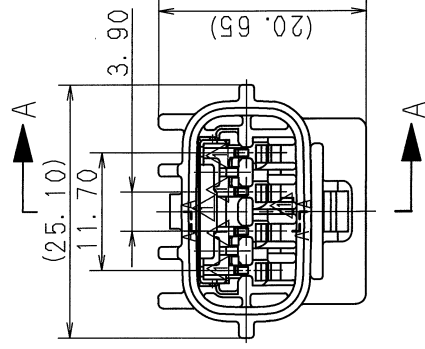
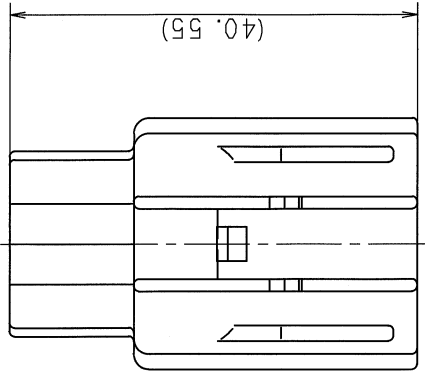
SUB ASSEMBLY PART NO. AND CH. CODE		NO.	PART NO. AND CH. CODE	MATERIAL	COLOR	QTY.
7282-7395-70 (7C82-7395-70)		①	7182-7395-70 (7B82-7395-70)	PBT	YELLOW	1
△ 7282-7395-70		②	7158-7391-02 (7B58-7391-02)	C5210 (t=0.35) TIN PLATING	---	1

NOTES

- △ 1) APPLICABLE TERMINAL NO. : 7B14-1466-08
: 7114-1466-02 (7B14-1466-02)
: 7114-1469-02 (7B14-1469-02)
- △ 2) APPLICABLE SEAL RUBBER NO. : 7158-3121-80 (7B58-3121-80)
: 7158-3120-90 (7B58-3120-90)
- △ 3) APPLICABLE RUBBER STOPPER NO. : 7157-3992-90 (7B57-3992-90)
- △ 4) MATING PART NO. : 7283-7399-70 (7C83-7399-70)
- 5) APPLICABLE FRONT HOLDER NO. : 7158-5560 (7B58-5560)
- 6) PART NUMBERS IN PARENTHESIS SHALL BE USED FOR AIR BAG (A/B)
CIRCUITS AND OTHER CIRCUITS DESIGNATED FOR SPECIAL MONITORING.

注記

- △ 1) 通用端子品番 : 7B14-1466-08
: 7114-1466-02 (7B14-1466-02)
: 7114-1469-02 (7B14-1469-02)
- △ 2) 通用ゴム栓品番 : 7158-3121-80 (7B58-3121-80)
: 7158-3120-90 (7B58-3120-90)
- △ 3) 通用防水栓品番 : 7157-3992-90 (7B57-3992-90)
- △ 4) 嵌合相手品番 : 7283-7399-70 (7C83-7399-70)
- 5) 通用フロントホルダ品番 : 7158-5560 (7B58-5560)
- 6) () 内品番は、エアバッグ (A/B) 回路及び精別管理回路に使用する時に適用すること。



SEC. A-A

△ 00.10.27	CHANGED	C00-M350	M. K	CUSTOMER	MATL. SPEC.	SEE TABLE	TREAT. & FIN.
△ 00.03.14	CHANGED FORM ETC.	C00-L344	Y. S	CUSTOMER PART NO.	NAME AIR BAG CONNECTOR RK-TYPE 4P		
99.12.13	NEW	C99-M888	M. K	OFFICE	SUB ASSEMBLY MALE		
LET DATE	REVISION RECORD	NO.	CHKD	VENDOR	ISSUE MARK		
GENERAL TOLERANCE				VENDOR NO.	PART NO. 7282-7395-70 (7C82-7395-70), △		
A	10MAX	50MAX	100MAX	DWG TYPE	DWG SOURCE	DWG DATE	UNIT
B	±0.15	±0.3	±0.5	R	NEW	99.12.13	mm
C	±0.2	±0.3	±0.55	APPROVED	CHECKED	DESIGN	DRAWN
	±0.3	±0.5	±0.8	ST	---	KASHIYAMA	ISHIJIMA
				00.11.13	99.10.29	00.10.27	
SPECIFIED				00.11.13	DWG NO. 7282-7395-70:R		
				SET DWG NO.			
				YAZAKI CORPORATION			

3

2

1