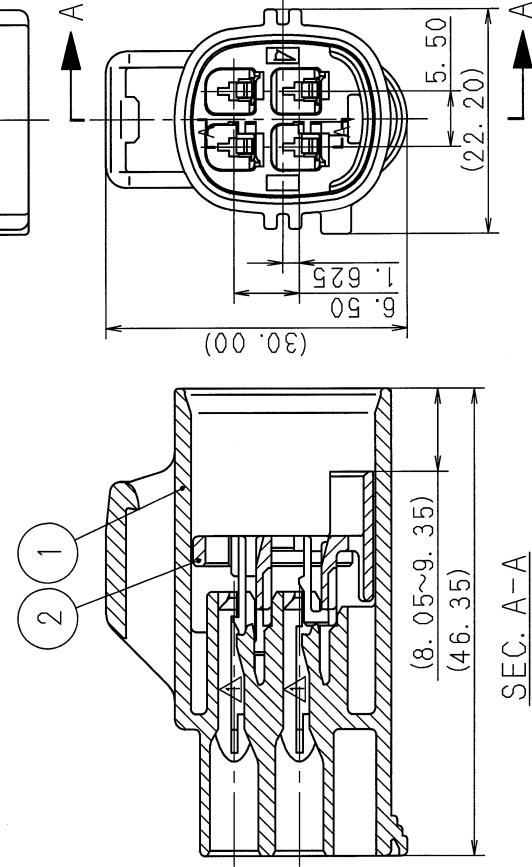


1 2 3

QUANTITY NO.	PART NO. AND CH. CODE	MATERIAL	COLOR
1	① 7182-5889-30	HPA	BLACK
1	① 7182-5889-90	HPA	BLUE
1	② 7158-4171	HPA	NATURAL

7282-5889-30	7282-5889-90
△	△
SUB ASSEMBLY PART NO. AND CH. CODE	



- 注記
- △ 1. 嵌合相手品番 : 7283-5889-30 ETC.
  - 2. 適用端子品番 : 7114-4102-02 ETC.
  - 3. 適用加工品番 : 7158-3030-50 ETC.

NOTES

- △ 1. MATING PART NO. : 7283-5889-30 ETC.
- 2. APPLICABLE TERMINAL PART NO. : 7114-4102-02 ETC.
- 3. APPLICABLE WIRE SEAL NO. : 7158-3030-50 ETC.

SEC. A-A

△ 02.07.12	ADDED PART NO.	C02-X730	Y. I	CUSTOMER	MATL. SPEC.	SEE TABLE	TREAT. & FIN.	ISSUE MARK
△ 98.02.25	CHANGED FORM	C98-L333	T. T	CUSTOMER PART NO.	NAME	1.5 SYSTEM SEALED CONNECTOR		
△ 97.06.09	NEW	C97-M044	H. K	OFFICE	4P (M) SUB ASSEMBLY (TYPE-B)			
LET	DATE	REVISION RECORD NO.	CHKD	VENDOR NO.				
GENERAL TOLERANCE				DWG TYPE	DWG SOURCE	DWG DATE	UNIT	SCL
A	±0.15	±0.2	±0.3	R	NEW	97.06.09	m	2/1
B	±0.2	±0.3	±0.55	APPROVED	CHECKED	CHECKED	DESIGN	DRAWN
C	±0.3	±0.5	±1.4	Y. TOMITA	Y. TOMITA	OHKUBO		
SPECIFIED				DATE	02.04.09	02.07.09	97.05.19	07.12
				MASS	g			
				PART NO. △7282-5889-30 ETC.				
				CH. CODE				
				DWG NO. 7282-5889-30:R				
				SET DWG NO.				
				YAZAKI CORPORATION				



2

1

B

A

B

A