

3

2

1

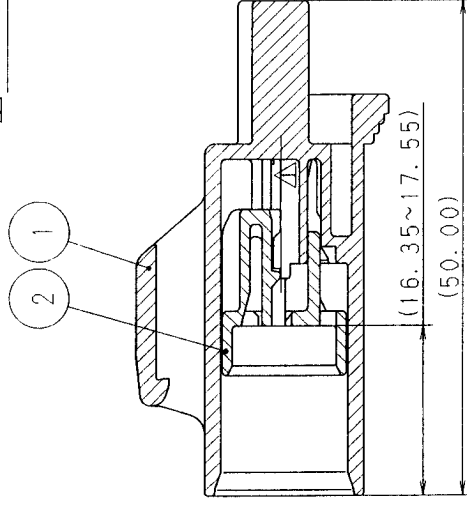
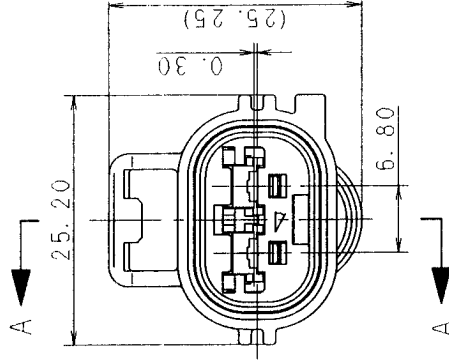
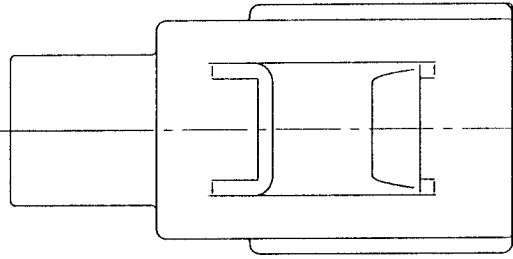
SUB ASSEMBLY PART NO. AND CH. CODE	PART NO. AND CH. CODE	MATERIAL	COLOR	QTY.

注記

- 1. 適用端子品番 : 7114-4150-02 ETC.
- 2. 適合相手品番 : 7283-5575-10 ETC.
- 3. 適用工具品番 : 7158-3111-60 ETC.
- 4. 適用防水品番 : 7158-3114-90

NOTES

- 1. APPLICABLE TERMINAL PART NO. : 7114-4150-02 ETC.
- 2. MATING PART NO. : 7283-5575-10 ETC.
- 3. APPLICABLE WIRE SEAL PART NO. : 7158-3111-60 ETC.
- 4. APPLICABLE PLUG PART NO. : 7158-3114-90



SEC. A-A

99.11.22	ADDED NOTES	C99-M750	Y. I	CUSTOMER PART NO.	CUSTOMER DWG NO.	MATL. SPEC.	SEE TABLE	TREAT. & FIN.	
98.05.06	CHANGED FORM ETC.	C98-L676	H. T	OFFICE	TRIAL PART NO.	NAME	2.8 SYSTEM SEALED CONNECTOR		
97.03.31	NEW	C97-L576	H. K	VENDOR			2P (M) SUB ASSEMBLY		
LET	DATE	REVISION RECORD NO.	CHKD	VENDOR NO.				ISSUE MARK	
GENERAL TOLERANCE				DWG TYPE	DWG SOURCE	DWG DATE	UNIT	SCL	ANGLE
A	±0.15	50MAX	100MAX	R	NEW	97.03.31	mm	2/1	3
B	±0.2	±0.3	±0.5	APPROVED	CHECKED	CHECKED	DESIGN	DRAWN	
C	±0.3	±0.5	±0.95	酒井	平岡	永野	繁	Y. UCHIDA	T. YAMANE
	±0.3	±0.5	±1.4	99.12.01	99.11.30	97.03.12	99.11.22	97.03.12	99.11.22
SPECIFIED				MASS	9				
				PART NO. 7282-5575-10		CH. CODE		SET DWG NO.	
				DWG NO. 7282-5575-10:R		YAZAKI CORPORATION			

B

A

B

A

3

2

1