

1

2

3

4

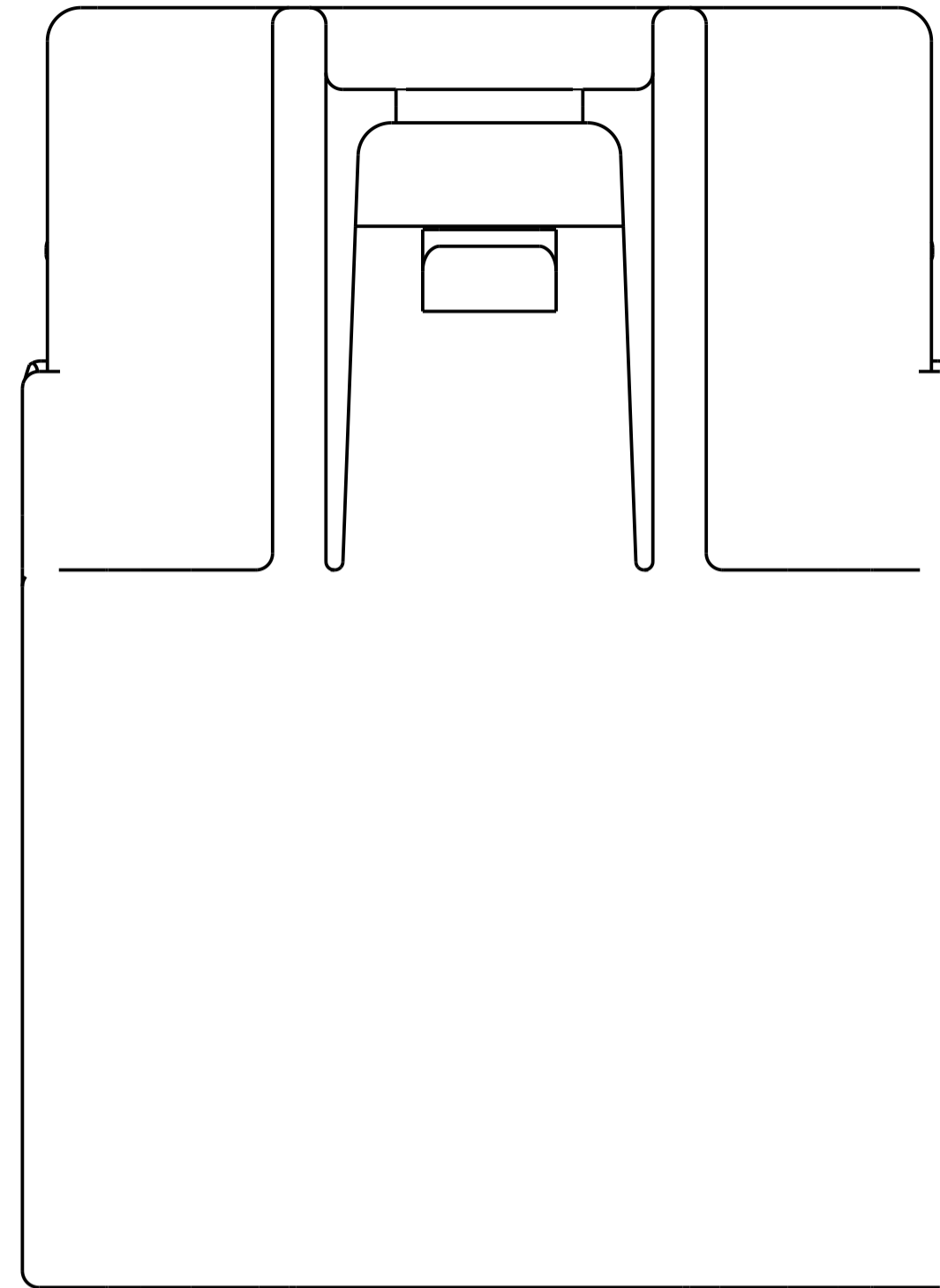
5

6

7

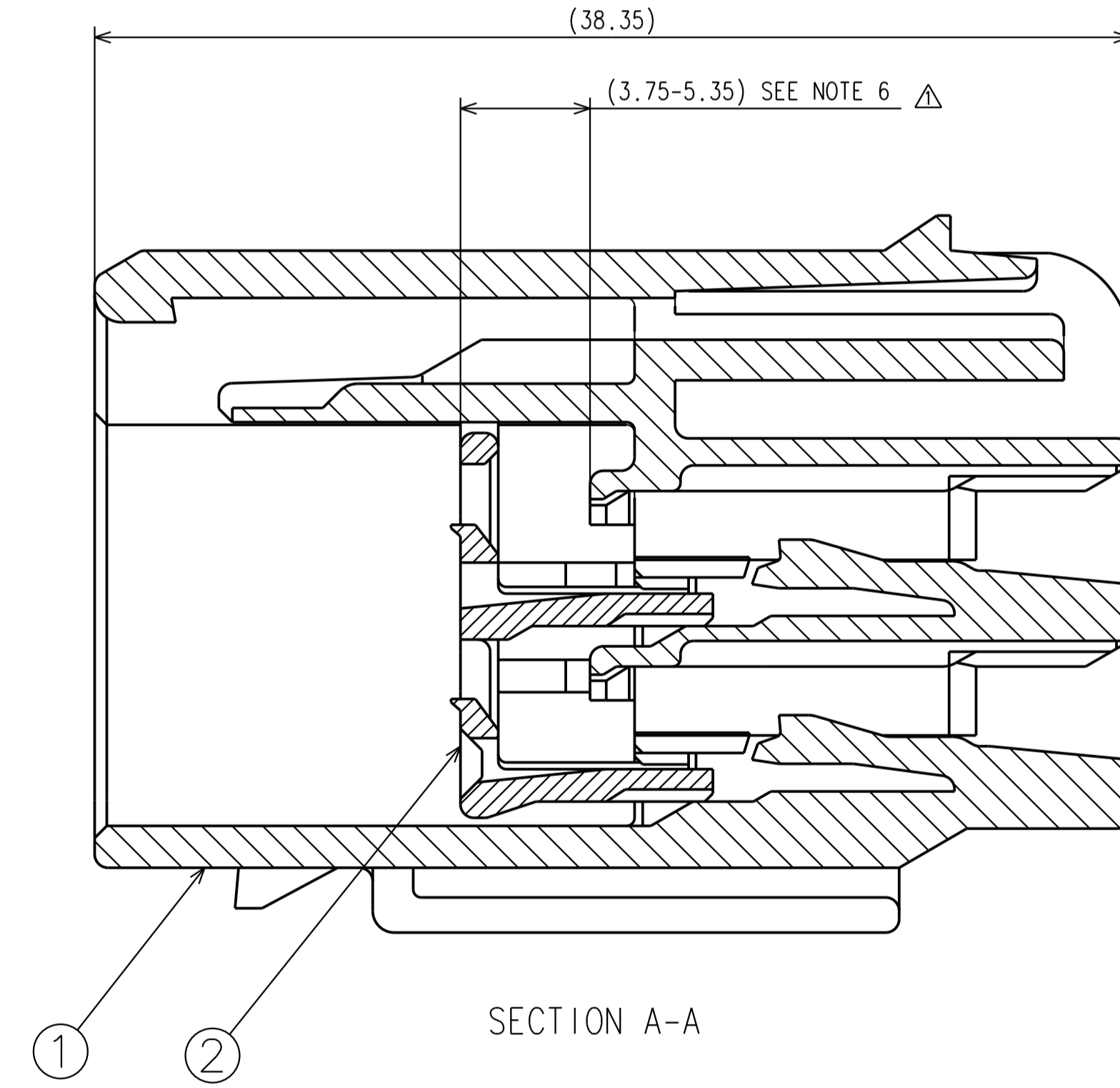
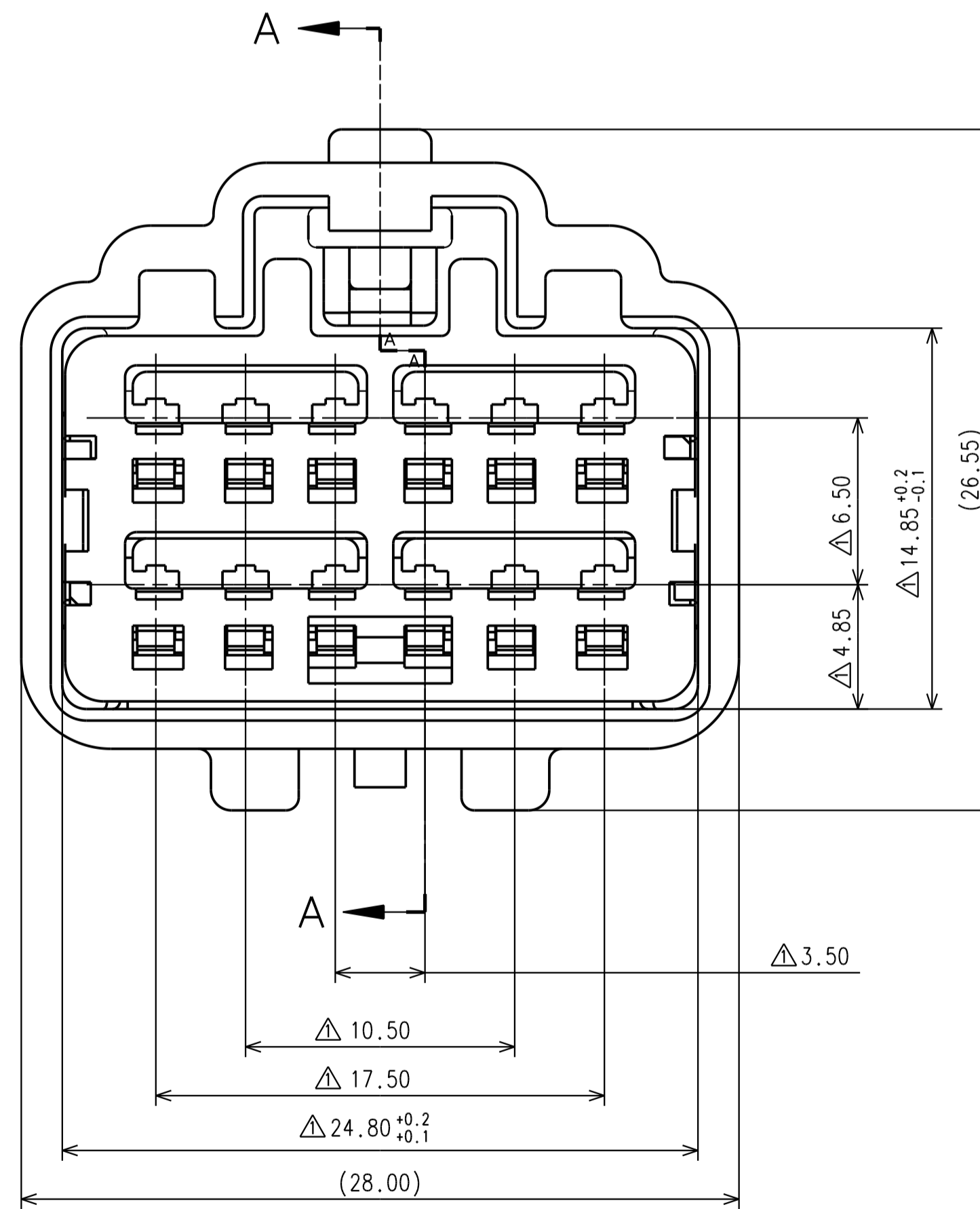
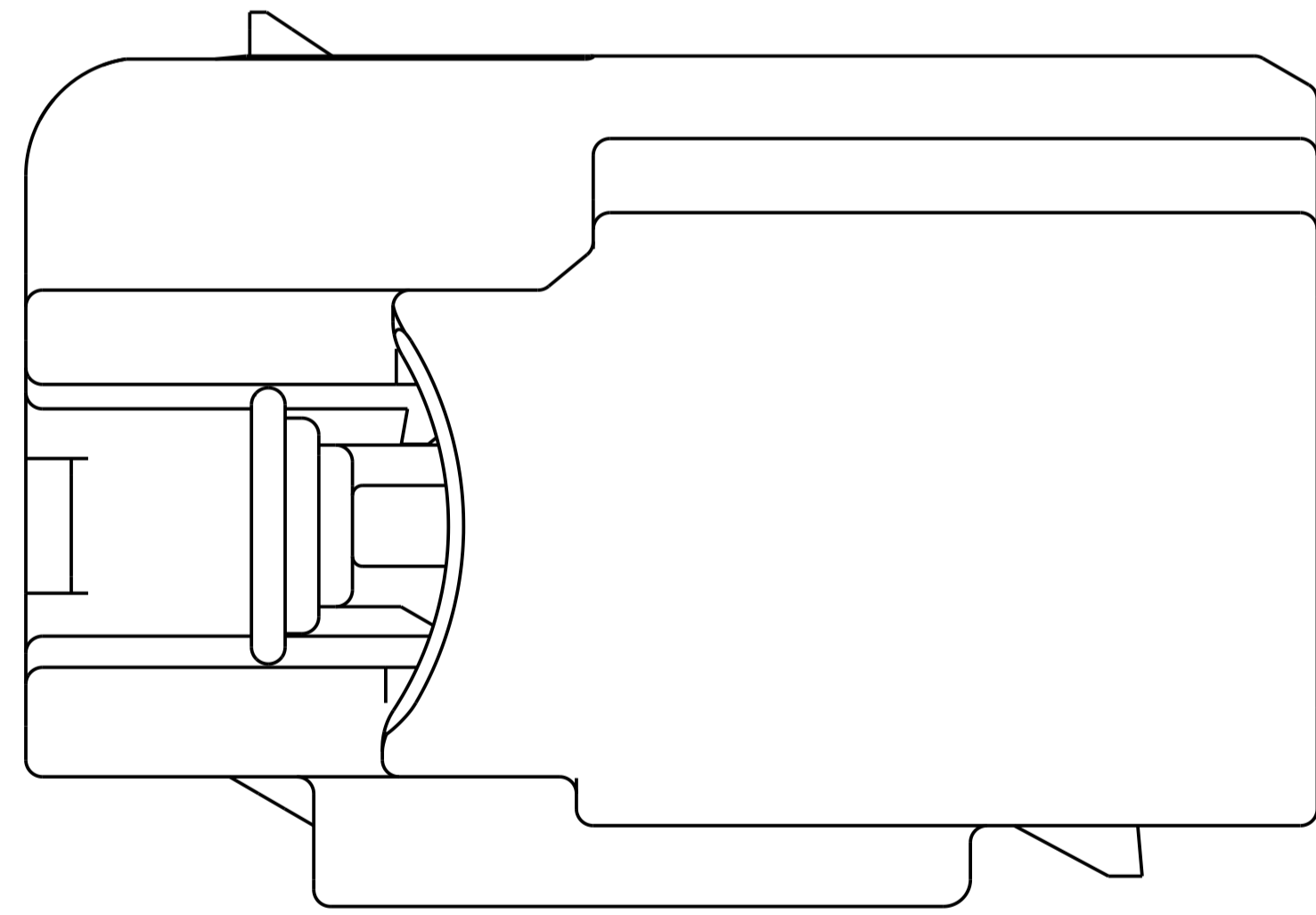
TABLE 1	SUB ASSEMBLY PART NUMBER	NO.	PART NUMBER	PART NAME	MATERIAL	COLOR	QUANTITY
	7282-3442-40 ETC.	①	SEE TABLE 2	12P 1.5 YESC KAIZEN UNSEALED MALE HOUSING	△ PBT-GF	SEE TABLE 2	1
		②	7158-6196	12P 1.5 YESC KAIZEN UNSEALED MALE TPA	PBT	NATURAL	1

TABLE 2	SUB ASSEMBLY PART NUMBER	HOUSING PART NUMBER	KEYWAY	COLOR	YAZAKI INLINE MATING PART NUMBER
△	7282-3442-40	7182-3442-40	A	LIGHT GRAY	7283-3442-40
	7282-3442-60	7182-3442-60	A	GREEN	7283-3442-60
△	7282-3442-70	7182-3442-70	A	YELLOW	7283-3442-70



NOTES:

- △ 1. PARTS MUST BE PURCHASED FROM YAZAKI.
- △ 2. PARTS MUST BE FREE OF FLASH AND IMPERFECTIONS THAT AFFECT FUNCTION.
- 3. APPLICABLE TERMINAL NUMBER: SEE 7114-4100-02:R DRAWING, 1.5 YESC
- 4. MATING PART NUMBER: SEE TABLE 2
- △ 5. PART DESIGNED TO SATISFY USCAR-2, REVISION 3, APRIL 2001, CLASS 2.
- △ 6. THIS DIMENSION SHOWS THE PRE-SET POSITION OF THE TPA.
- △ 7. PART TO COMPLY WITH YPES-31-038 REQUIREMENTS.



ISSUE MARK

CUSTOMER PART NO.	CUSTOMER DWG NO.	MATL. SPEC.	SEE TABLE 1	TREAT. & FIN.
OFFICE	YNA	TRIAL PART NO.	NAME 12P 1.5 YESC KAIZEN UNSEALED MALE SUB ASS'Y	
VENDOR		VENDOR NO.	PART NO. 7282-3442-40 ETC.	
DWG TYPE	R	DWG SOURCE	7282-3442-40-M △	DWG DATE
APPROVED	CHECKED	CHECKED	DESIGN	DRAWN
			R. WONG	SCOTT SHAW
			06.22.02	06-21-2011
YAZAKI CORPORATION				

GENERAL TOLERANCE							
	10MAX	50MAX	100MAX	250MAX	2500VR	ANGLE	ECCENT
A	±0.15	±0.2	±0.3	±0.5	±0.75	±30'	0.1
B	±0.2	±0.3	±0.55	±0.95	±1.4	±30'	0.1
©	±0.3	±0.5	±0.8	±1.4	±2	±30'	0.15
SPECIFIED						WEIGHT	g

LET	DATE	REVISION RECORD	NO.	CHKD
△	06-16-2011	ADD COLOR, NOTE, MATERIAL	C11-A537	SMS
△	04-15-2005	ADD HOUSING COLOR	C05-A443	MMR
-	05-10-2004	NEW	C04-A690	KMD