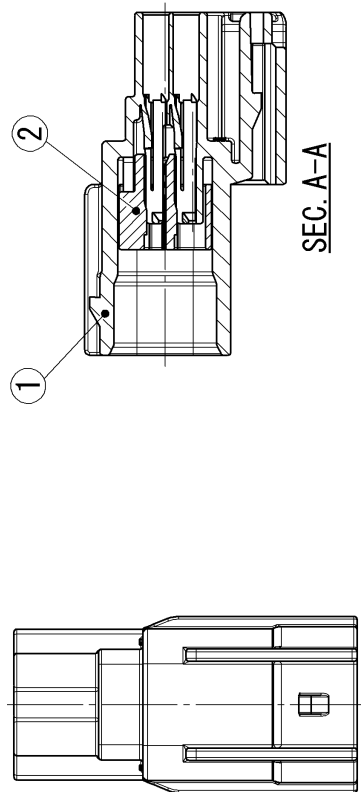


GENERAL TOLERANCE											
	10 MAX	50 MAX	100 MAX	250 MAX	250 OVR	R5 MAX	R10 MAX	R20 MAX	R20 OVR	ANGLE	ECCENT
A	±0.15	±0.2	±0.3	±0.5	±0.75	±0.2	±0.3	±0.5	±2.5	±3°	0.1
B	±0.2	±0.3	±0.55	±0.95	±1.4	±0.2	±0.3	±0.5	±2.5	±3°	0.1
C	±0.3	±0.5	±0.8	±1.4	±2						0.15



SEC. A-A

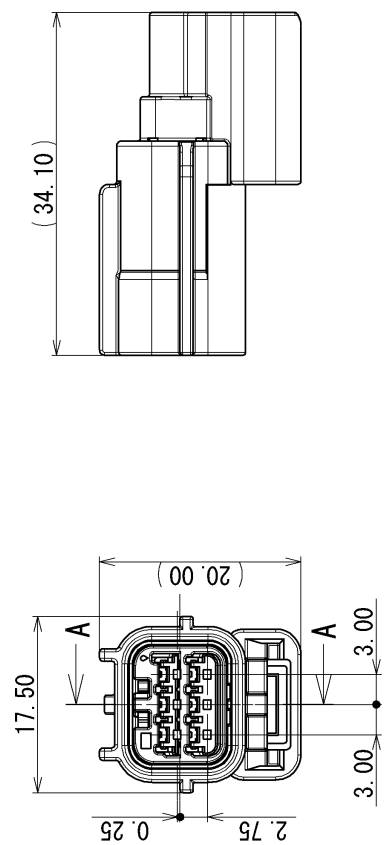


TABLE 1

SUB ASSEMBLY PART NO. AND CH. CODE	NO.	PART NO. AND CH. CODE	MATERIAL	COLOR	QTY.
△ 7282-2764-30 ETC.	①	△ SEE TABLE 2	PBT	△ SEE TABLE 2	1
	②	7158-6623	PBT-G	NATURAL	1

TABLE 2	SUB ASSEMBLY PART NO. AND CH. CODE	PART NO. AND CH. CODE	COLOR
△	7282-2764	7182-2764	NATURAL
	7282-2764-30	7182-2764-30	BLACK
△	7282-2764-40	7182-2764-40	LIGHT GRAY

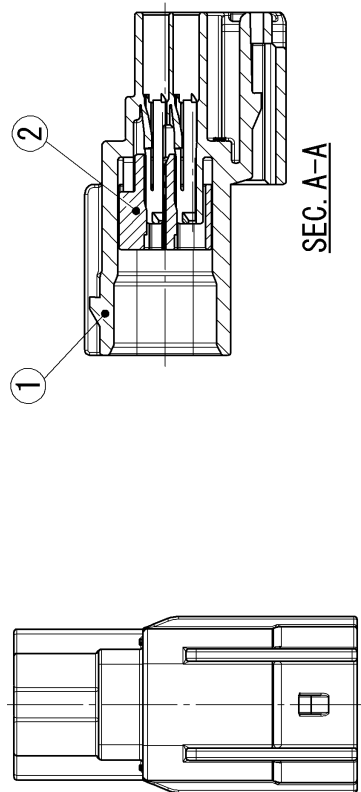
注記

- △ 1. かん合相手品番 : 7283-2764-30 ETC.
- 2. 適用端子品番 : 7114-4415-02
: 7114-4416-02
: 7114-4417-02
- 3. 適用ゴム栓品番 : 7158-3165-90
: 7158-3166-60
- 4. 適用防水栓品番 : 7158-3167-80
: 7158-3168-80
: 7158-3169-40

NOTES

- △ 1. MATING PART NO. : 7283-2764-30 ETC.
- 2. APPLICABLE TERMINAL NO. : 7114-4415-02
: 7114-4416-02
: 7114-4417-02
- 3. APPLICABLE SEAL RUBBER NO. : 7158-3165-90
: 7158-3166-60
: 7158-3167-80
: 7158-3168-80
: 7158-3169-40
- 4. APPLICABLE UNUSED CAVITY PLUG

GENERAL TOLERANCE											
	10 MAX	50 MAX	100 MAX	250 MAX	250 OVR	R5 MAX	R10 MAX	R20 MAX	R20 OVR	ANGLE	ECCENT
A	±0.15	±0.2	±0.3	±0.5	±0.75	±0.2	±0.3	±0.5	±2.5	±3°	0.1
B	±0.2	±0.3	±0.55	±0.95	±1.4	±0.2	±0.3	±0.5	±2.5	±3°	0.1
C	±0.3	±0.5	±0.8	±1.4	±2						0.15



SEC. A-A

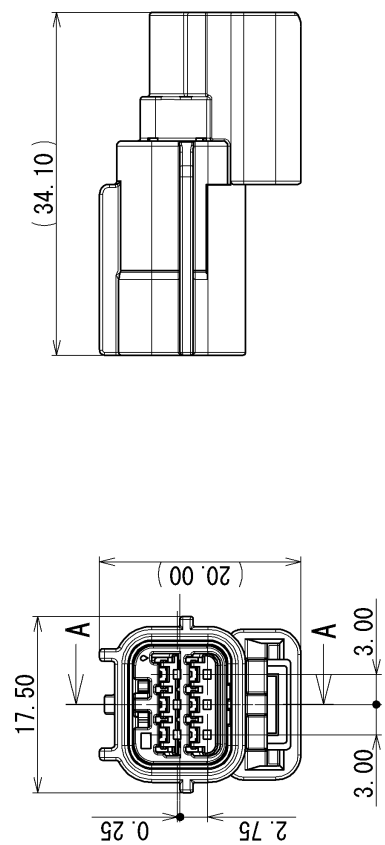


TABLE 1

SUB ASSEMBLY PART NO. AND CH. CODE	NO.	PART NO. AND CH. CODE	MATERIAL	COLOR	QTY.
△ 7282-2764-30 ETC.	①	△ SEE TABLE 2	PBT	△ SEE TABLE 2	1
	②	7158-6623	PBT-G	NATURAL	1

TABLE 2	SUB ASSEMBLY PART NO. AND CH. CODE	PART NO. AND CH. CODE	COLOR
△	7282-2764	7182-2764	NATURAL
	7282-2764-30	7182-2764-30	BLACK
△	7282-2764-40	7182-2764-40	LIGHT GRAY

注記

- △ 1. かん合相手品番 : 7283-2764-30 ETC.
- 2. 適用端子品番 : 7114-4415-02
: 7114-4416-02
: 7114-4417-02
- 3. 適用ゴム栓品番 : 7158-3165-90
: 7158-3166-60
- 4. 適用防水栓品番 : 7158-3167-80
: 7158-3168-80
: 7158-3169-40

NOTES

- △ 1. MATING PART NO. : 7283-2764-30 ETC.
- 2. APPLICABLE TERMINAL NO. : 7114-4415-02
: 7114-4416-02
: 7114-4417-02
- 3. APPLICABLE SEAL RUBBER NO. : 7158-3165-90
: 7158-3166-60
: 7158-3167-80
: 7158-3168-80
: 7158-3169-40
- 4. APPLICABLE UNUSED CAVITY PLUG

LET	DATE	REVISION RECORD	NO.	CHKD	VENDOR	OFFICE	TRIAL PART NO.	NAME	MATL. SPEC.	SEE TABLE	TREAT. & FIN.	ISSUE MARK																																																												
△	12/08/31	ADDED PART NO.	C12-Z787	E I	CUSTOMER			△ HS 025 6P SEALED HOUSING																																																																
△	10/11/15	CHANGED PART NAME	C10-ZA95	G M	CUSTOMER PART NO.			SUB ASSEMBLY MALE																																																																
△	05/03/14	ADDED PART NO. ETC.	C05-7400	K N																																																																				
△	04/07/08	NEW	C04-Z729	K N																																																																				
GENERAL TOLERANCE																																																																								
A	±0.15	50MAX	±0.3	100MAX	±0.5	250MAX	±0.75	250OVR	±0.75	ANGLE	±30°	ECCENT	0.1																																																											
B	±0.2	±0.3	±0.55	±0.95	±1.4	±2				APPROVED	CHECKED	DESIGN	K. SAWA IRI																																																											
C	±0.3	±0.5	±0.8	±1.4	±2	±2				H. KANDA	K. SAWA IRI	E. ITALIA																																																												
SPECIFIED																																																																								
<table border="0"> <tr> <td>DWG DATE</td> <td>04/07/08</td> <td>DWG TYPE</td> <td>R</td> <td>DWG SOURCE</td> <td>NEW</td> <td>UNIT</td> <td>mm</td> <td>SCL</td> <td>2:1</td> <td>ANGLE</td> <td>3</td> </tr> <tr> <td>APPROVED</td> <td></td> <td>CHECKED</td> <td></td> <td>CHECKED</td> <td></td> <td>DESIGN</td> <td></td> <td></td> <td></td> <td></td> <td></td> </tr> <tr> <td>DESIGNED</td> <td></td> <td>DRAWN</td> <td></td> <td></td> <td></td> <td></td> <td></td> <td></td> <td></td> <td></td> <td></td> </tr> <tr> <td>DATE</td> <td>12/08/31</td> <td>APPROVED</td> <td>H. KANDA</td> <td>DATE</td> <td>04/06/17</td> <td>DESIGNED</td> <td>K. NIHO</td> <td>DATE</td> <td>12/08/31</td> <td>DESIGNED</td> <td>E. ITALIA</td> </tr> <tr> <td>DATE</td> <td>12/08/31</td> <td>APPROVED</td> <td></td> <td>DATE</td> <td>04/06/17</td> <td>DESIGNED</td> <td></td> <td>DATE</td> <td>12/08/31</td> <td>DESIGNED</td> <td></td> </tr> </table>													DWG DATE	04/07/08	DWG TYPE	R	DWG SOURCE	NEW	UNIT	mm	SCL	2:1	ANGLE	3	APPROVED		CHECKED		CHECKED		DESIGN						DESIGNED		DRAWN										DATE	12/08/31	APPROVED	H. KANDA	DATE	04/06/17	DESIGNED	K. NIHO	DATE	12/08/31	DESIGNED	E. ITALIA	DATE	12/08/31	APPROVED		DATE	04/06/17	DESIGNED		DATE	12/08/31	DESIGNED	
DWG DATE	04/07/08	DWG TYPE	R	DWG SOURCE	NEW	UNIT	mm	SCL	2:1	ANGLE	3																																																													
APPROVED		CHECKED		CHECKED		DESIGN																																																																		
DESIGNED		DRAWN																																																																						
DATE	12/08/31	APPROVED	H. KANDA	DATE	04/06/17	DESIGNED	K. NIHO	DATE	12/08/31	DESIGNED	E. ITALIA																																																													
DATE	12/08/31	APPROVED		DATE	04/06/17	DESIGNED		DATE	12/08/31	DESIGNED																																																														
<table border="0"> <tr> <td>PART NO.</td> <td>7282-2764-30 ETC.</td> <td>DWG NO.</td> <td>7282-2764-30:R</td> </tr> <tr> <td>CH. CODE</td> <td></td> <td></td> <td></td> </tr> <tr> <td colspan="4">YAZAKI CORPORATION</td> </tr> </table>													PART NO.	7282-2764-30 ETC.	DWG NO.	7282-2764-30:R	CH. CODE				YAZAKI CORPORATION																																																			
PART NO.	7282-2764-30 ETC.	DWG NO.	7282-2764-30:R																																																																					
CH. CODE																																																																								
YAZAKI CORPORATION																																																																								