

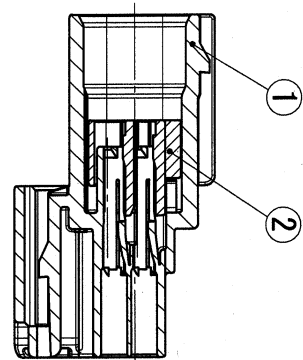
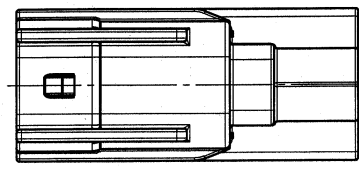
GENERAL TOLERANCE										
10 MAX	50 MAX	100 MAX	250 MAX	250 OVR	R5 MAX	R10 MAX	R20 MAX	R20 OVR	ANGLE	ECCENT
A	±0.15	±0.2	±0.3	±0.5	±0.75	±0.2	±0.3	±2.5	±3°	0.1
B	±0.2	±0.3	±0.55	±0.95	±1.4	±0.2	±0.5	±2.5	±3°	0.1
⊕	±0.3	±0.5	±0.8	±1.4	±2	±0.2	±0.5	±2.5	±3°	0.15

TABLE 1

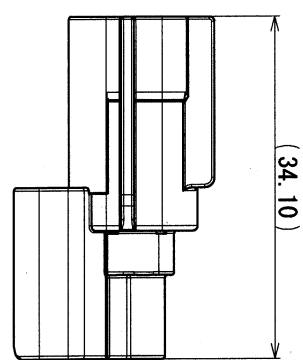
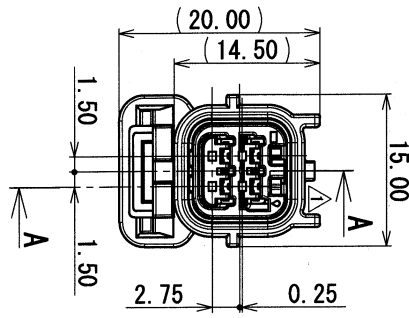
SUB ASSEMBLY PART NO. AND CH. CODE	NO.	PART NO. AND CH. CODE	MATERIAL	COLOR	QTY.
△ 7282-2763-30 ETC.	①	△ SEE TABLE 2	PBT	△ SEE TABLE 2	1
	②	7158-6621	PBT-6	NATURAL	1

TABLE 2

SUB ASSEMBLY PART NO. AND CH. CODE	PART NO. AND CH. CODE	COLOR
△ 7282-2763	7182-2763	NATURAL
△ 7282-2763-30, [A]	7182-2763-30	BLACK
△ 7282-2763-60	7182-2763-60	GREEN



SEC. A-A



- 注記
- △ 1. 嵌合相手品番 : 7283-2763-30 ETC.
 - 2. 適用端子品番 : 7114-4415-02 ETC.
 - 3. 適用1.6検品番 : 7158-3165-90 ETC.
 - 4. 適用防水検品番 : 7158-3169-40

NOTES

- △ 1. MATING PART NO. : 7283-2763-30 ETC.
- 2. APPLICABLE TERMINAL NO. : 7114-4415-02 ETC.
- 3. APPLICABLE SEAL RUBBER NO. : 7158-3165-90 ETC.
- 4. APPLICABLE UNUSED CAVITY PLUG NO. : 7158-3169-40

△ 05/02/28	ADDED PART NO. ETC.	C05-Z389	K N	CUSTOMER					
△ 04/10/15	CHANGED FORM & CH. CODE, [A]	C04-ZC33	K N	CUSTOMER PART NO.					
04/04/20	NEW	C04-P575	K N	OFFICE					
LET	REVISION RECORD	NO.	CHKD	VENDOR					
GENERAL TOLERANCE									
A	±0.15	±0.2	±0.3	±0.5	±0.75	±30'	O. 1	ECENT	
B	±0.2	±0.3	±0.55	±0.95	±1.4	±30'	O. 1	ECENT	
⊕	±0.3	±0.5	±0.8	±1.4	±2	±30'	O. 15	ECENT	
SPECIFIED						MASS	g		
10MAX				50MAX	100MAX	250MAX	250OVR	ANGLE	ECCENT
DMG TYPE				DMG SOURCE	DMG DATE	UNIT	SCL	ANGLE	
R				NEW	04/04/20	mm	2:1	3	
APPROVED				CHECKED	CHECKED	DESIGN	DRAWN		
K. Okano				K. Nishio	K. Nishio	K. Nishio	E. PANTONI		
06.03.02				05/03/01	05/03/01	04/04/20	05/02/28		
MATERIAL SPEC.				SEE TABLE 1	TREAT. & FIN.				
NAME				HS 025 4P SEALED CONNECTOR					
SUB ASSEMBLY MALE									
PART NO. AND CH. CODE				△ 7282-2763-30 ETC.					
DMG NO.				7282-2763-30:R					
YAZAKI CORPORATION									
ISSUE MARK									

1

2

3