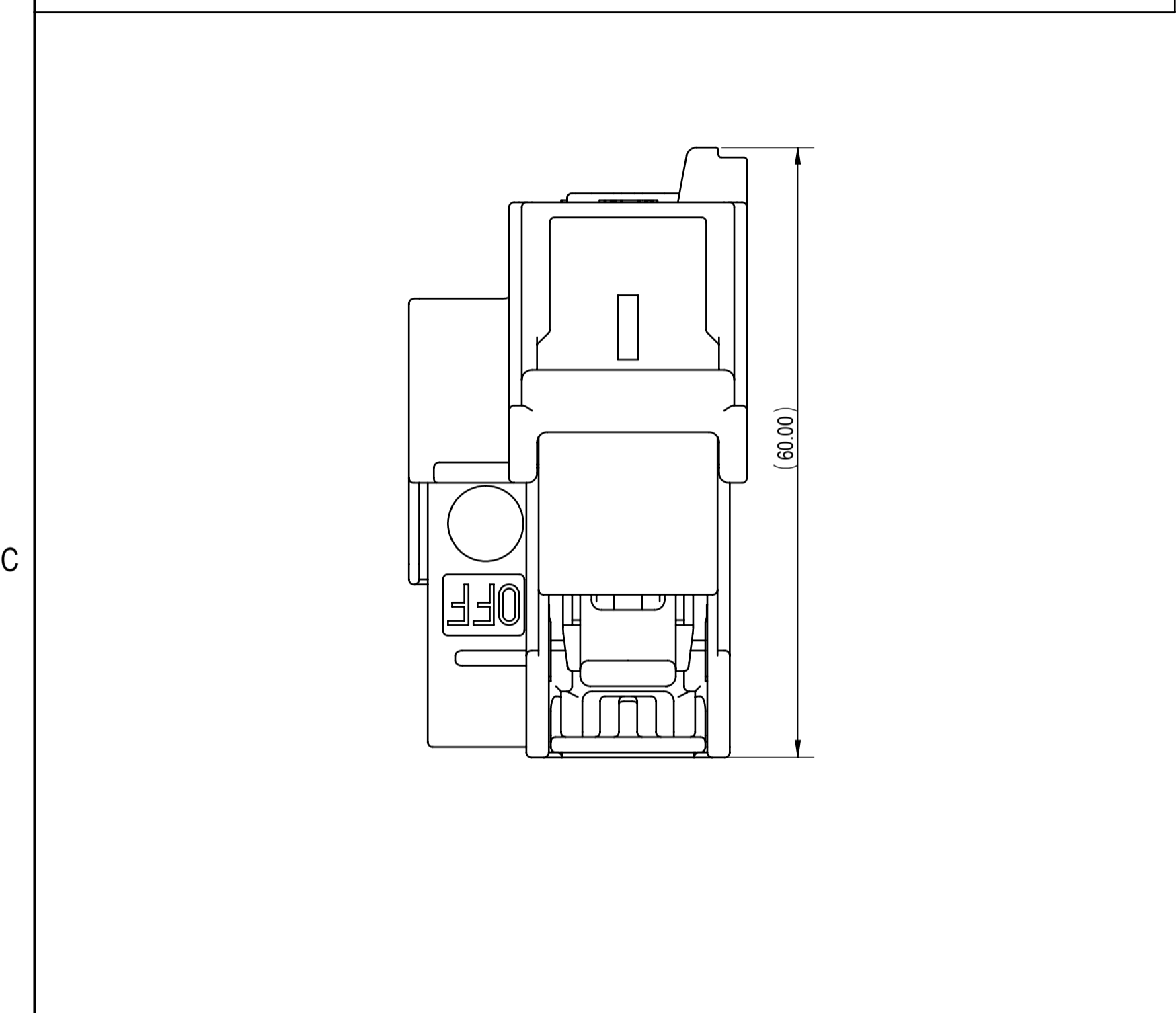
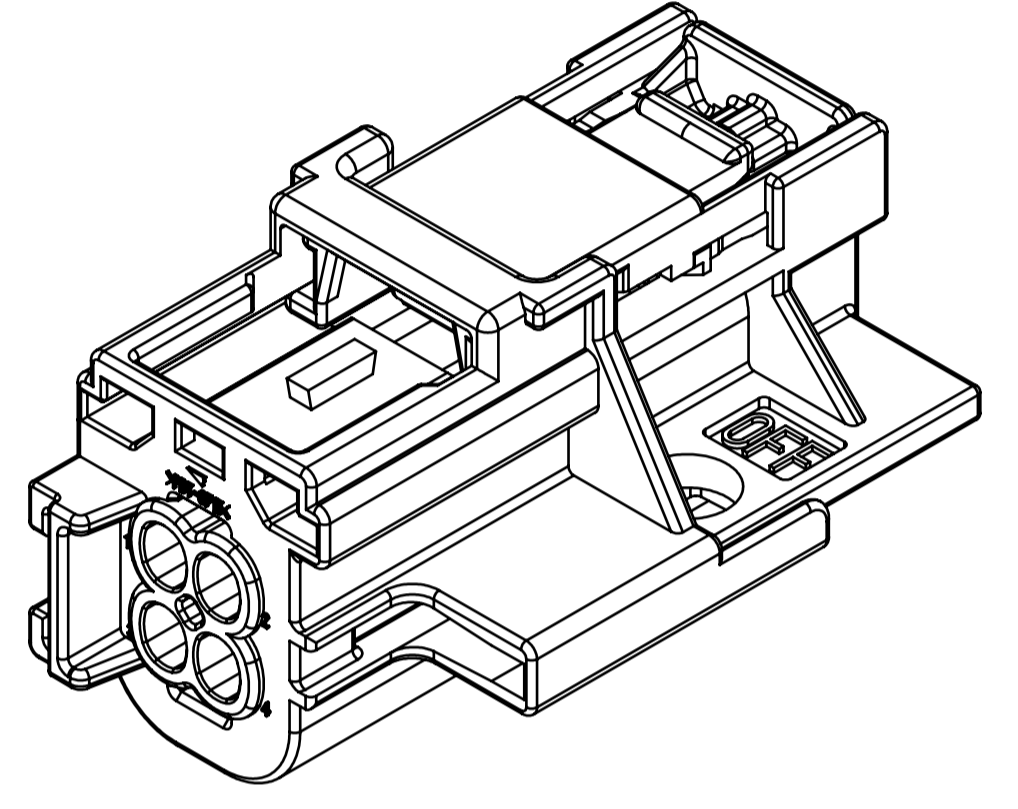


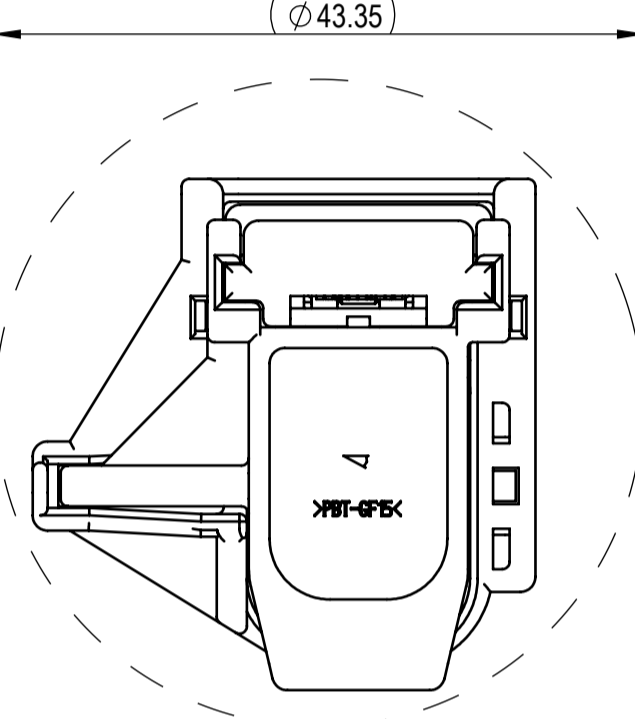
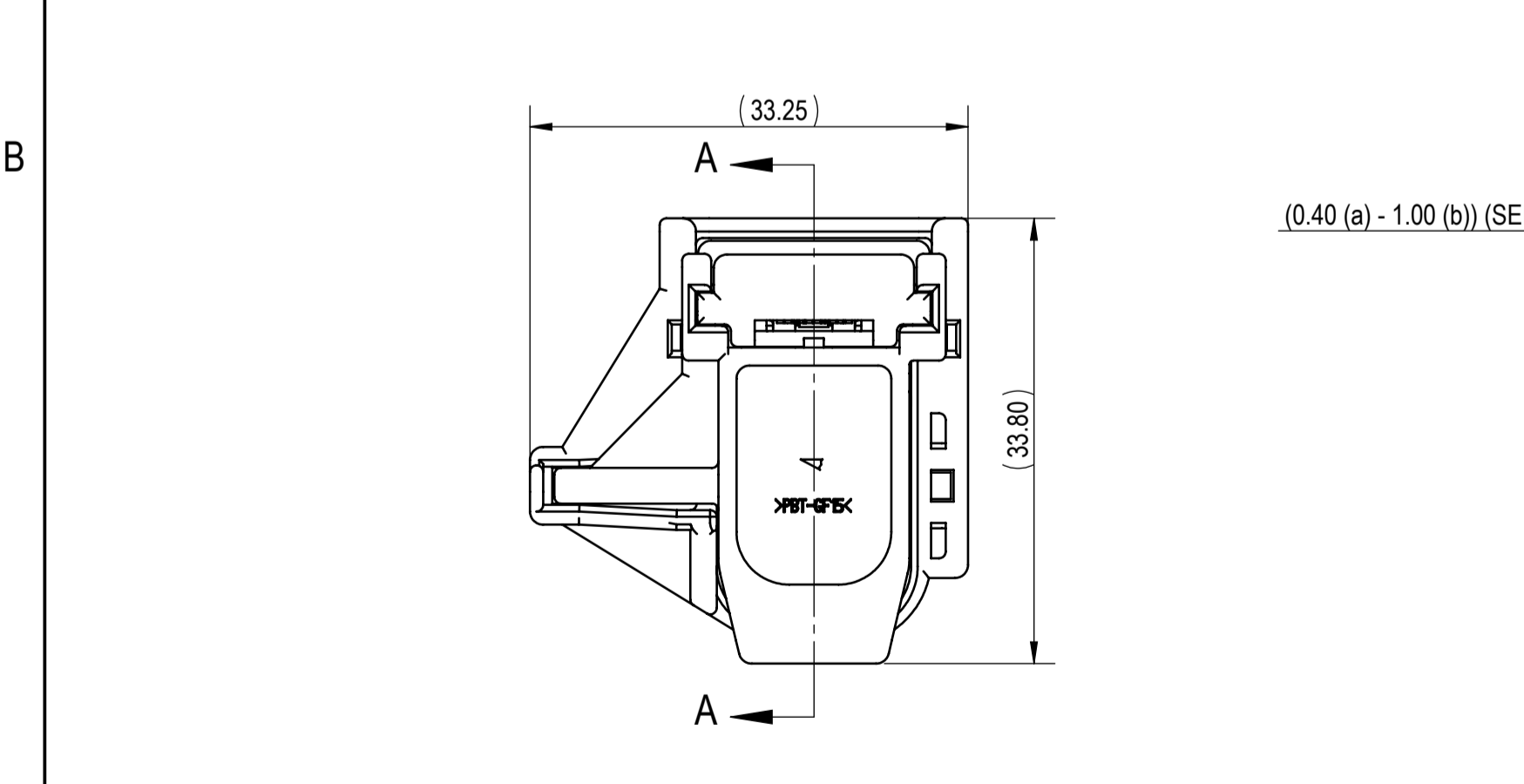
EXPLODED VIEW
(1/1)



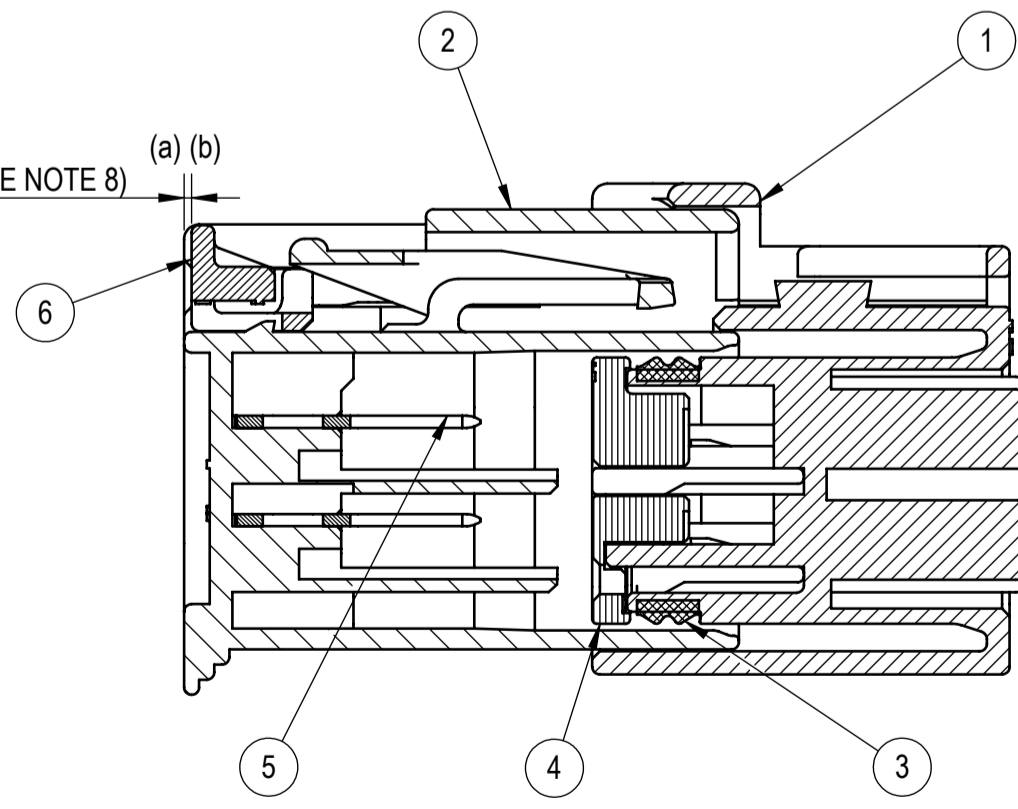
FRONT ISOMETRIC VIEW
(2/1)



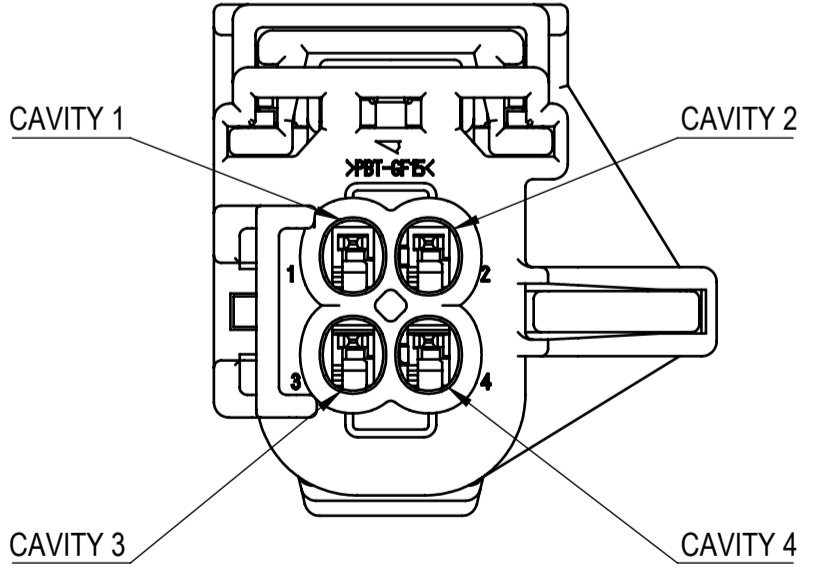
REAR ISOMETRIC VIEW
(2/1)



RECOMMENDED PASS-THROUGH
HOLE DIMENSION
(1mm CLEARANCE ALL AROUND)
(2/1)



SECTION A-A



- NOTES:
- PARTS MUST BE PURCHASED FROM YAZAKI.
 - PARTS MUST BE FREE OF FLASH AND IMPERFECTIONS THAT AFFECT FUNCTION.
 - APPLICABLE TERMINAL: SEE 7116-4102-02:R DRAWING (1.5 YESC SEALED).
MAX WIRE OD: 2.40mm
MIN WIRE OD: 1.20mm
 - APPLICABLE WIRE SEAL: SEE 7158-3374-90:R DRAWING
 - APPLICABLE CAVITY PLUG: SEE 7158-3037-70:R DRAWING.
 - PART SATISFIES TEST GMW3191, MARCH 2019 (T3/V1/S3/MF2).
 - PART TO COMPLY WITH YPES-31-038 REQUIREMENTS.
 - THIS DIMENSION SHOWS THE PRE-SET POSITION OF THE CPA.
 - THIS DRAWING IS TO BE USED FOR INTERNAL YAZAKI PSW SUBMISSION.
 - CLIP SLOT: 11mm CLIP SLOT. (BASED ON USCAR 11mm CLIP SLOT, EWCAP-005-11, REV C).
 - HANDLING MANUAL NUMBER: YPES-15-1792E

ASSEMBLY PART NUMBER	NO.	PART NUMBER	PART NAME	MATERIAL	COLOR	QUANTITY	MASS (g)
7225-3564-60	①	7125-3566-60	4P YESC 1.5mm SEALED FEMALE SERVICE DISCONNECT HOUSING	PBT-GF15	GREEN	1	(23.60)
	②	7172-1856	4P YESC 1.5mm SEALED FEMALE DISCONNECT INTERFACE SEAL CAP	PBT-GF15	NATURAL	1	
	③	7137-3368-50	4P YESC 1.5mm SEALED FEMALE SERVICE INTERFACE SEAL	SILICONE	RED	1	
	④	7125-3563-60	4P YESC 1.5mm SEALED MALE SERVICE DISCONNECT HOUSING	PBT-GF15	GREEN	1	
	⑤	7125-9614-02	1.5mm SERVICE DISCONNECT SHORT TERMINAL	BRASS	N/A	2	
7225-3565-60	①	7125-3566-60	4P YESC 1.5mm SEALED FEMALE SERVICE DISCONNECT HOUSING	PBT-GF15	GREEN	1	(24.10)
	②	7172-1856	4P YESC 1.5mm SEALED FEMALE DISCONNECT INTERFACE SEAL CAP	PBT-GF15	NATURAL	1	
	③	7137-3368-50	4P YESC 1.5mm SEALED FEMALE SERVICE INTERFACE SEAL	SILICONE	RED	1	
	④	7125-3563-60	4P YESC 1.5mm SEALED MALE SERVICE DISCONNECT HOUSING	PBT-GF15	GREEN	1	
	⑤	7125-9614-02	1.5mm SERVICE DISCONNECT SHORT TERMINAL	BRASS	N/A	2	
	⑥	7172-1492-50	SERVICE DISCONNECT CPA	PBT-GF15	RED	1	

LET	DATE	REVISION RECORD	NO.	CHKD
-	10-01-2020	NEW	C20-A713	A.P.

GENERAL TOLERANCE											
A	±0.15	±0.20	±0.30	±0.50	±0.75	±0.20	±0.30	±0.50	±2.50	±3°	0.1
B	±0.20	±0.30	±0.55	±0.95	±1.40	±0.20	±0.30	±0.50	±2.50	±3°	0.1
C	±0.30	±0.50	±0.80	±1.40	±2.00	±0.20	±0.30	±0.50	±2.50	±3°	0.15
SPECIFIED											MASS (SEE TABLE)

CUSTOMER		CUSTOMER DWG NO.		MATL SPEC.	SEE TABLE	TREAT. & FIN.	N/A
CUSTOMER PART NO.		CUSTOMER DWG NO.		NAME			
OFFICE YNA		TRIAL PART NO.		4P 1.5mm SEALED SERVICE DISCONNECT ASSEMBLY			
VENDOR		VENDOR NO.		PART NO. 7225-3565-60, ETC.			
DWG TYPE R		DWG SOURCE 7225-3565-60:M		DWG DATE 10-01-2020		UNIT mm	
APPROVED		CHECKED		CHECKED		DESIGN DRAWN	
COURTNEY DODGE		ADILENE PEREZ		03-02-2020		10-06-2020	
YAZAKI CORPORATION							