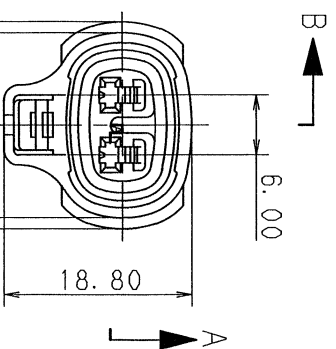


TABLE 1

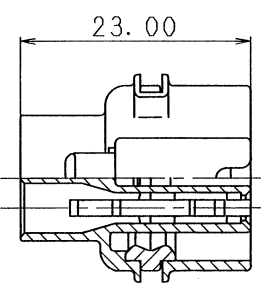
SUB ASSEMBLY PART NO. AND CH. CODE	NO.	PART NO. AND CH. CODE	MATERIAL	COLOR	QTY.
7223-9327 ETC.	①	SEE TABLE 2	PBT	SEE TABLE 2	1
	②	7137-1375	NBR	BLUE	1

TABLE 2

SUB ASSEMBLY PART NO. AND CH. CODE	PART NO. AND CH. CODE	COLOR
7223-9327	7123-9327	NATURAL
7223-9327-10	7123-9327-10	DARK GRAY
7223-9327-30	7123-9327-30	BLACK
7223-9327-40	7123-9327-40	LIGHT GRAY
7223-9327-90	7123-9327-90	BLUE



SEC. B-B



SEC. A-A

NO.	DATE	REVISION RECORD	NO.	CHKD	CUSTOMER PART NO.	CUSTOMER DWG NO.	TRIAL PART NO.	DWG. TYPE	DWG. SOURCE	DWG. DATE	UNIT	SCL	ANGLE	PART NO.	CH. CODE	DWG NO.	SET DWG NO.
△	01.06.15	ADDED NOTES & CHANGED NAME	C01-X576	C.T										7223-9327 ETC.			
△	90.02.16	ADDED PART NO.	C90-6181	K.S													
△	90.02.03	ADDED PART NO.	C90-L084	H.Y													
△	88.07.12	NEW	8MC-3020	S.Y													
GENERAL TOLERANCE																	
10MAX 50MAX 100MAX 250MAX 500VR ANGLE ECCENT																	
A	±0.15	±0.2	±0.3	±0.5	±0.75	±30'	0.1										
B	±0.2	±0.3	±0.55	±0.95	±1.4	±30'	0.1										
○	±0.3	±0.5	±0.8	±1.4	±2	±30'	0.15										
SPECIFIED																	
MATERIAL SPEC. SEE TABLE 1																	
TREAT. & FIN.																	
NAME △ 2.3 (090) 2P SEALED CONNECTOR																	
SUB ASSEMBLY FEMALE (WASHER)																	
PART NO. 7223-9327 ETC.																	
CH. CODE																	
DWG NO. 7223-9327:R																	
SET DWG NO.																	
YAZAKI CORPORATION																	

- 注記
1. 適用端子品番 : 7116-1420 ETC.
 2. 適用ゴム品番 : 7157-3648 ETC.
 3. 嵌合相手品番 : 7122-9327

- NOTES
1. APPLICABLE TERMINAL NO. : 7116-1420 ETC.
 2. APPLICABLE RUBBER NO. : 7157-3648 ETC.
 3. MATING PART NO. : 7122-9327

ISSUE MARK

