

3

2

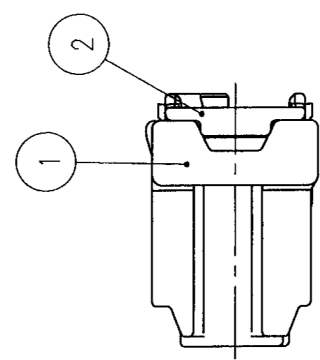
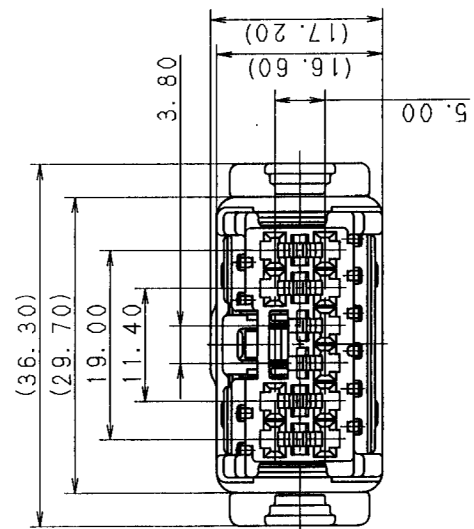
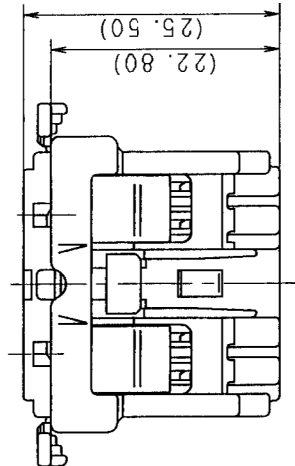
SUB ASSEMBLY PART NO. AND CH. CODE	PART NO. AND CH. CODE	MATERIAL	COLOR	QTY.
7223-6717 (7C23-6717)	① 7123-6717 (7B23-6717)	PBT	NATURAL	1
	② 7157-6137-30 (7B57-6137-30)	PP	BLACK	1

注 記

- △ 1. 嵌合相手品番: 7222-6717 (7C22-6717)
- △ 2. 適用端子品番: 7116-1820-02 ETC.
- △ 3. ()内品番は、エアバッグ (A/B) 回路及び特別管理回路に使用する時に適用すること。

NOTES

- △ 1. MATING PART NO.: 7222-6717 (7C22-6717)
- △ 2. APPLICABLE TERMINAL NO.: 7116-1820-02 ETC.
- △ 3. PART NUMBERS IN PARENTHESIS SHALL BE USED FOR AIR BAG (A/B) CIRCUITS AND OTHER CIRCUITS DESIGNATED FOR SPECIAL MONITORING.



A

B

98.10.28	ADDED	A/B PART NO.	C98-M824	K.U	CUSTOMER PART NO.	CUSTOMER DWG NO.	MATL. SPEC.	SEE TABLE	TREAT. & FIN.	ISSUE MARK
95.04.05	CHANGED	NOTES	C95-L701	M.K			NAME	NS TYPE 10P		
92.07.01		NEW	C92-6639	M.K	OFFICE	TRIAL PART NO.				
LET DATE	REVISION RECORD	NO.	CHKD	VENDOR	VENDOR NO.					
GENERAL TOLERANCE										
A	±0.15	±0.2	±0.3	±0.5	±0.75	±30'	10MAX	50MAX	100MAX	250MAX
B	±0.2	±0.3	±0.55	±0.95	±1.4	±30'	APPROVED	CHECKED	DWG DATE	UNIT
C	±0.3	±0.5	±0.8	±1.4	±2	±30'	98.11.05	98.11.04	98.11.03	mm
SPECIFIED MASS 9										
APPROVED: 98.11.05 18.11.04 98.11.03 92.03.31 98.10.28										
DRAWN: M. TSUJI YOSHIDA										
DESIGN: 榎山										
CHECKED: 榎山										
DWG NO. 7223-6717:R										
PART NO. 7223-6717 (7C23-6717)										
CH. CODE										
SUB ASSEMBLY FEMALE										
YAZAKI CORPORATION										

3

2

1

A

B