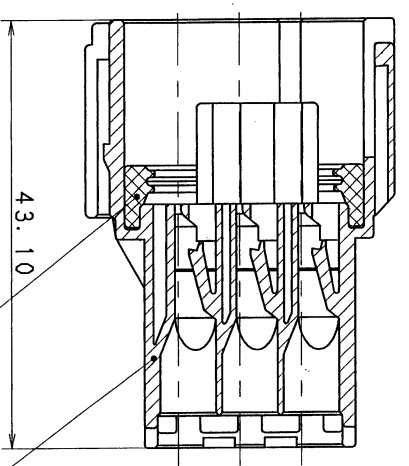
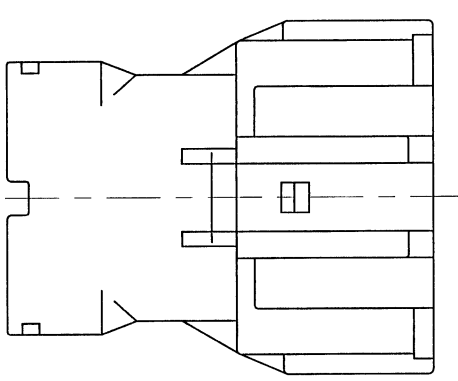
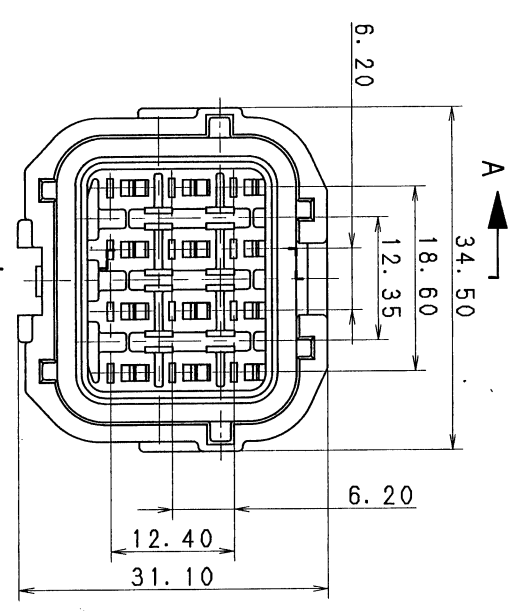


TABLE 1		YAZAKI PART NO.	MATERIAL	COLOR	QTY.
YAZAKI SUB ASS'Y PART NO.	NO.	YAZAKI PART NO.	PBT	SEE TABLE 2	1
7222-7923-40 ETC.	①	SEE TABLE 2	SILICONE RUBBER	RED-IRON	1
	②	7137-1556-80			

TABLE 2		YAZAKI SUB ASS'Y PART NO.	YAZAKI PART NO.	COLOR
YAZAKI SUB ASS'Y PART NO.	NO.	YAZAKI PART NO.		
7222-7923	①	7122-7923	NATURAL	
7222-7923-30	②	7122-7923-30	BLACK	
7222-7923-40		7122-7923-40	GRAY	



△ 注記
 1. 嵌合相手品番 : 7123-7923-40 ETC.
 △ NOTE
 1. MATING PART NO. : 7123-7923-40 ETC.

CUSTOMER		CUSTOMER PART NO.		CUSTOMER DWG NO.	
96.10.02		ADDED PART NO.		C96-M277	
93.12.20		CHANGED FORM & RENEW		C93-L829	
LET DATE		REVISION RECORD		NO. CHKD	
GENERAL TOLERANCE					
10MAX	50MAX	100MAX	250MAX	250DVR	ANGLE
±0.15	±0.2	±0.3	±0.5	±0.75	±30'
±0.2	±0.3	±0.55	±0.95	±1.4	±30'
±0.3	±0.5	±0.8	±1.4	±2	±30'
SPECIFIED		MASS		0.15	
9		1		2	

MATL. SPEC.	SEE TABLE 1	TREAT. & FIN.	
NAME	SWP-TYPE CONNECTOR		
	HOUSING 12P M SUB ASS'Y		
PART NO.	7222-7923-40 ETC.		
DWG NO.	7222-7923-30 : R		
	YAZAKI CORPORATION		

