

| SUB ASSEMBLY PART NO. AND CH. CODE | NO. | PART NO. AND CH. CODE | PART NAME | MATERIAL | △ COLOR | QTY. |
|---------------------------------------|-----|--------------------------|-------------------------|-----------------|-------------|------|
| 7222-7464-40 ETC. | ① | △ SEE TABLE 2 | SWP-TYPE HOUSING 6P M | PBT | SEE TABLE 2 | 1 |
| | ② | 7137-1553-80 | SWP-TYPE LIP PACKING 6P | SILICONE RUBBER | RED-IRON | 1 |

△ TABLE 1

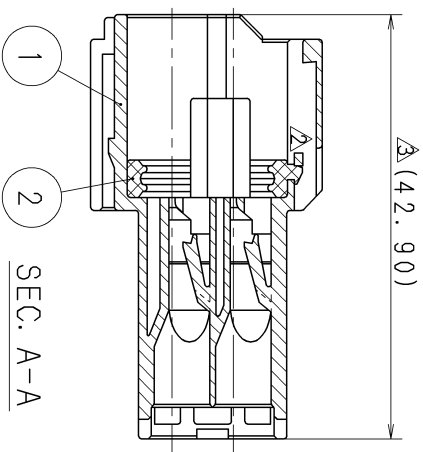
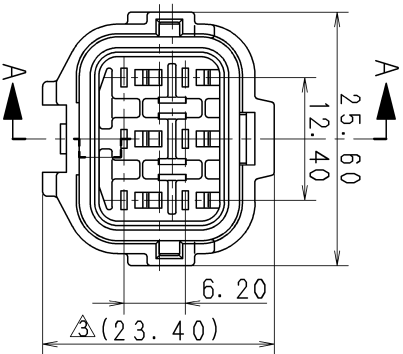
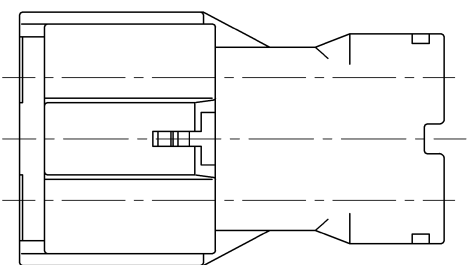
| △ TABLE 2 | | PART NO. AND CH. CODE | PART NO. AND CH. CODE | COLOR |
|-----------------------|--------------|--------------------------|--------------------------|-------|
| SUB ASSEMBLY PART NO. | 7222-7464-30 | 7122-7464-30 | 7122-7464-30 | BLACK |
| AND CH. CODE | 7222-7464-40 | 7122-7464-40 | 7122-7464-40 | GRAY |

△ 注記

- 1. 汎合相手品番：7123-7464-40 ETC.
- 2. 適用端子品番：7114-1471 ETC.
- 3. 適用リブ材品番：7157-7816-80

△ NOTES

- 1. MATING PART NO. : 7123-7464-40 ETC.
- 2. APPLICABLE TERMINAL PART NO. : 7114-1471 ETC.
- 3. APPLICABLE REAR HOLDER PART NO. : 7157-7816-80



| | | | | | | | | | | | |
|-----------------------------------|--|--|--|------------------|--|------------------------------|--|---------------|--|-------------|--|
| CUSTOMER | | CUSTOMER PART NO. | | CUSTOMER DWG NO. | | MATERIAL SPEC. | | TREAT. & FIN. | | ISSUE MARK | |
| △ 10.09.30 CHANGED PART NAME ETC. | | C10-Z542 | | T. W | | △ SEE TABLE 1 | | | | | |
| △ 93.12.20 CHANGED FORM & RENEW | | C93-L829 | | K. S | | NAME △ SWP-TYPE HOUSING 6P M | | | | | |
| LET DATE | | REVISION RECORD NO. | | CHKD | | SUB ASS'Y | | | | | |
| △ GENERAL TOLERANCE | | 10MAX 50MAX 100MAX 250MAX 250OVR | | ANGLE ECCENT | | PART NO. 7222-7464-40 ETC. | | | | | |
| A ±0.15 ±0.2 ±0.3 ±0.5 ±0.75 ±30' | | ±0.3 ±0.5 ±0.75 ±30' | | 0.1 | | DWG NO. 7222-7464-30 | | | | | |
| B ±0.2 ±0.3 ±0.55 ±0.95 ±1.4 ±30' | | ±0.3 ±0.5 ±0.95 ±1.4 ±30' | | 0.1 | | 7222-7464-30:R | | | | SET DWG NO. | |
| C ±0.3 ±0.5 ±0.8 ±1.4 ±2 | | ±0.3 ±0.5 ±0.8 ±1.4 ±2 | | 0.15 | | YAZAKI CORPORATION | | | | | |
| SPECIFIED | | MASS | | | | | | | | | |

1 2 3