

3

2

1

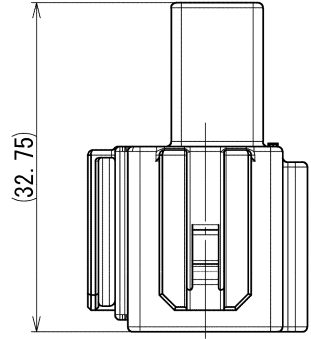
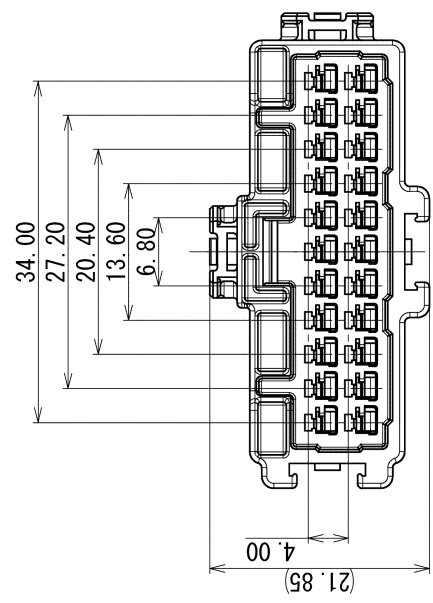
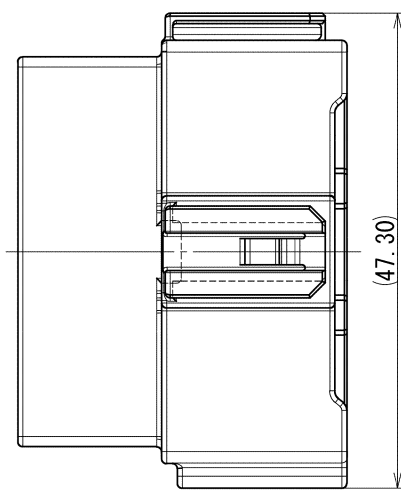
PART NO. AND CH. CODE	MATERIAL	COLOR
△ 7188-0149	PBT	NATURAL
△ 7188-0149-90		BLUE
△ 7188-0149-30		BLACK
△ 7188-0149-60		GREEN

注記

- △ 1. かん合相手品番 : 7189-0149 ETC.
- 2. 適用端子品番 : 7114-7386-02 ETC.

NOTES

- △ 1. MATING PART NO. : 7189-0149 ETC.
- 2. APPLICABLE TERMINAL PART NO. : 7114-7386-02 ETC.



B

A

△ 2015/12/11	ADDED COLOR PART NO.	C15-Z581	A. Q	CUSTOMER		MATL. SPEC.	△ SEE TABLE	TREAT.	
△ 2015/04/07	ADDED COLOR PART NO.	C15-Z136	A. P	CUSTOMER PART NO.	CUSTOMER DWG NO.	NAME	060 22P HLC HOUSING MALE		
△ 2014/09/16	ADDED COLOR NO., ETC.	C14-Z544	A. Q	OFFICE	TRIAL PART NO.				
△ 2013/02/20	NEW	C13-Z094	E. O	VENDOR					ISSUE MARK
LET	DATE	REVISION RECORD	NO.	CHKD					
GENERAL TOLERANCE									
10MAX	50MAX	100MAX	250MAX	2500VR	ANGLE	ECCENT			
A	±0.15	±0.2	±0.3	±0.5	±0.75	±30'			
B	±0.2	±0.3	±0.55	±0.95	±1.4	±30'			
③	±0.3	±0.5	±0.8	±1.4	±2	±30'			
SPECIFIED MASS									
T. MATSUNAGA					H. KANDA	A. QUIROL			
2015/12/11					2012/04/24	2015/12/11			
DWG TYPE R					DWG SOURCE NEW	DWG DATE 2013/02/20	UNIT mm	SCL 2:1	ANGLE 3
APPROVED					CHECKED	CHECKED	DESIGN	DRAWN	
PART NO. △ 7188-0149 ETC.					DWG NO. 7188-0149:R				
CH. CODE					SET DWG NO.				
YAZAKI CORPORATION									

3

2

1

A