

3

2

1

△2 PART NO. AND CH. CODE	MATERIAL	COLOR
7186-8850, [A]	PBT	NATURAL
△2 7186-8850-60, [A]		GREEN
△3 7186-8850-90, [A]		BLUE
△4 7186-8850-30, [A]		BLACK

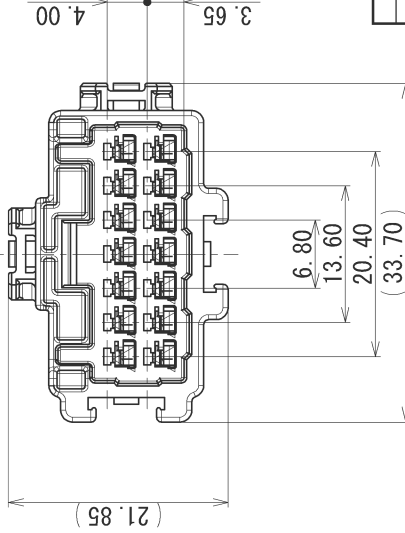
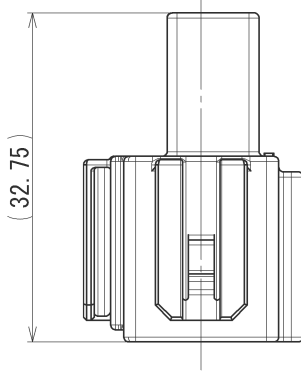
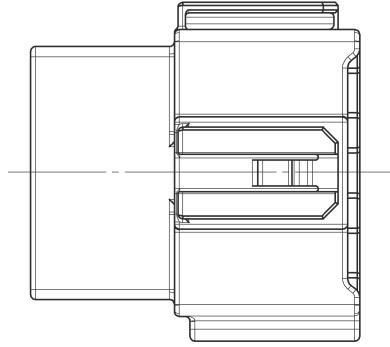
注記

- △2 1. かん合相手品番 : 7187-8855 ETC.
- 2. 適用端子品番 : 7114-7386-02 ETC.

NOTES

- △2 1. MATING PART NO. : 7187-8855 ETC.
- 2. APPLICABLE TERMINAL PART NO. : 7114-7386-02 ETC.

B



A

GENERAL TOLERANCE											
	10 MAX	50 MAX	100 MAX	250 MAX	250 OVR	R5 MAX	R10 MAX	R20 MAX	R20 OVR	ANGLE	ECCENT
A	±0.15	±0.2	±0.3	±0.5	±0.75	±0.2	±0.3	±0.5	±2.5	±3°	0.1
B	±0.2	±0.3	±0.55	±0.95	±1.4	±0.2	±0.3	±0.5	±2.5	±3°	0.1
C	±0.3	±0.5	±0.8	±1.4	±2	±0.2	±0.3	±0.5	±2.5	±3°	0.15

△4	2016/08/31	ADDED	COLOR	PART NO.	C16-P336	Y. H
△3	2014/11/17	ADDED	COLOR	PART NO.	C14-Z667	J. R
△2	2014/09/16	ADDED	COLOR	NO. ETC.	C14-Z544	A. Q
△1	2012/01/11	CHANGED	FORM. [A]	NEW	C12-Z052	J. C
	2011/11/22	REVISION	RECORD	NO.	C11-Z853	J. B
LET	DATE					CHKD

GENERAL TOLERANCE									
	10MAX	50MAX	100MAX	250MAX	250OVR	ANGLE	ECCENT		
A	±0.15	±0.2	±0.3	±0.5	±0.75	±30'	0.1		
B	±0.2	±0.3	±0.55	±0.95	±1.4	±30'	0.1		
C	±0.3	±0.5	±0.8	±1.4	±2	±30'	0.15		

MATERIAL SPEC.	△2 SEE TABLE	TREAT.	& FIN.
NAME	060 14P HLC HOUSING MALE		
CUSTOMER	CUSTOMER DWG NO.		
OFFICE	TRIAL PART NO.		
VENDOR	VENDOR NO.		
DWG TYPE	R	DWG SOURCE	NEW
APPROVED	T. MATSUNAGA	CHECKED	
DESIGN	K. MATSUMURA	DRAWN	Y. HANAI
DATE	2016/08/31	DATE	2016/08/31
UNIT	mm	SCL	2:1
ANGLE	3		

PART NO. CH. CODE	△7186-8850 ETC.	
DWG NO.	7186-8850:R	
YAZAKI CORPORATION		

3

2

1