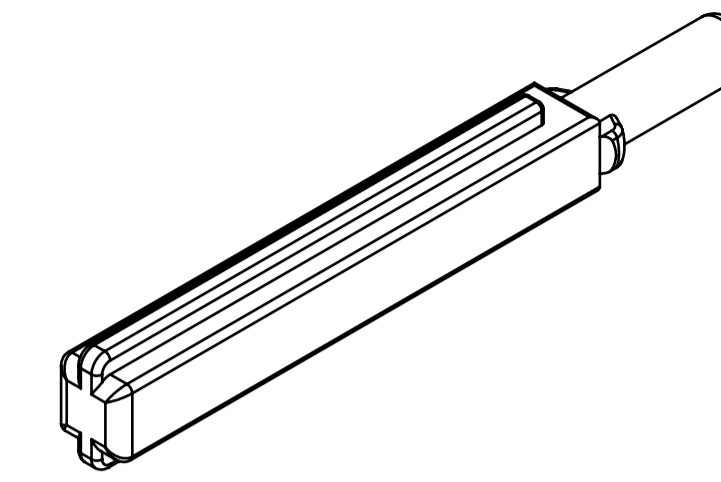
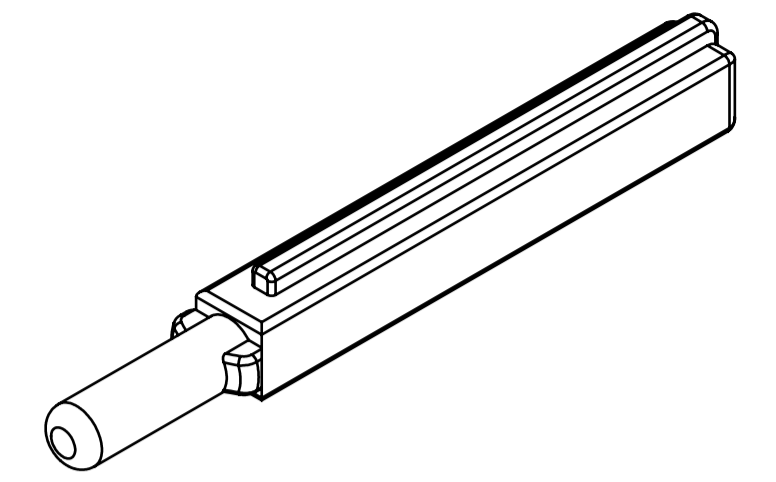


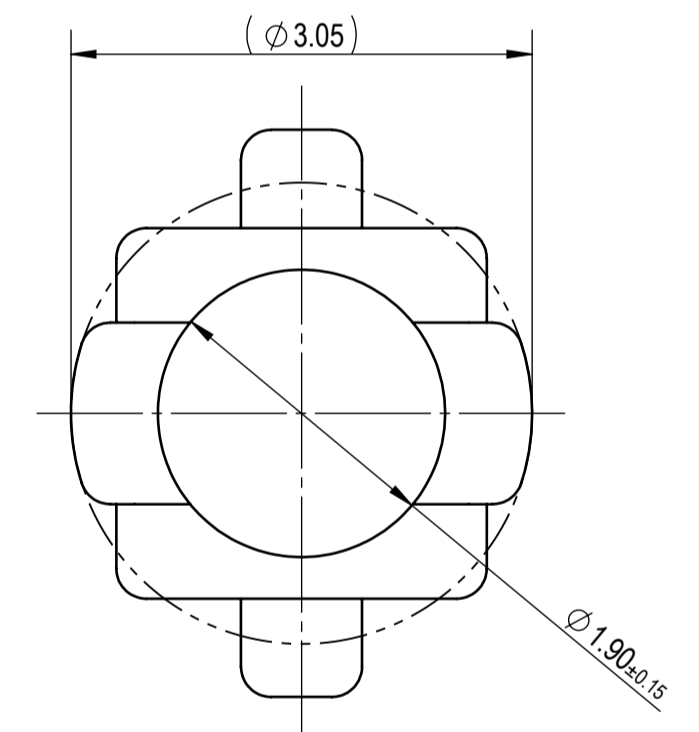
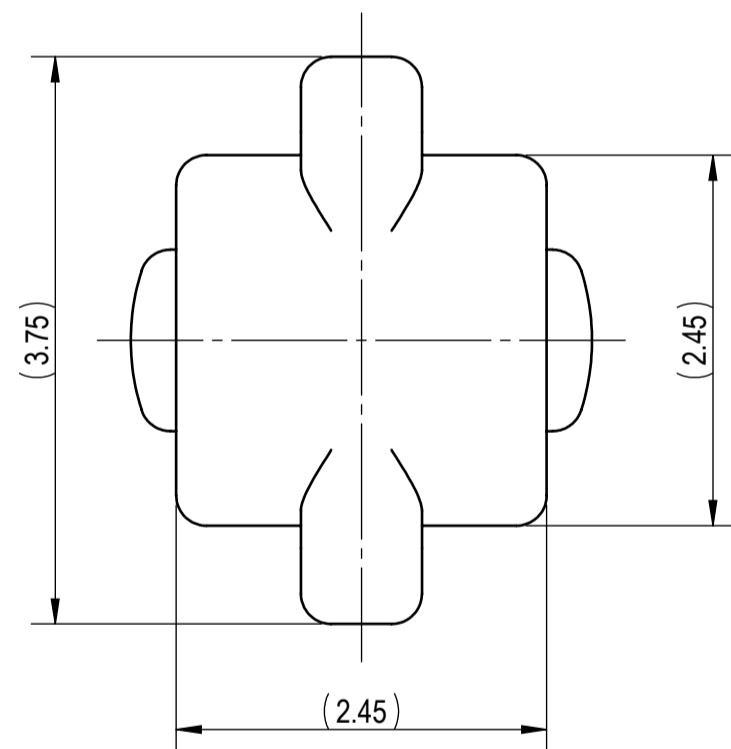
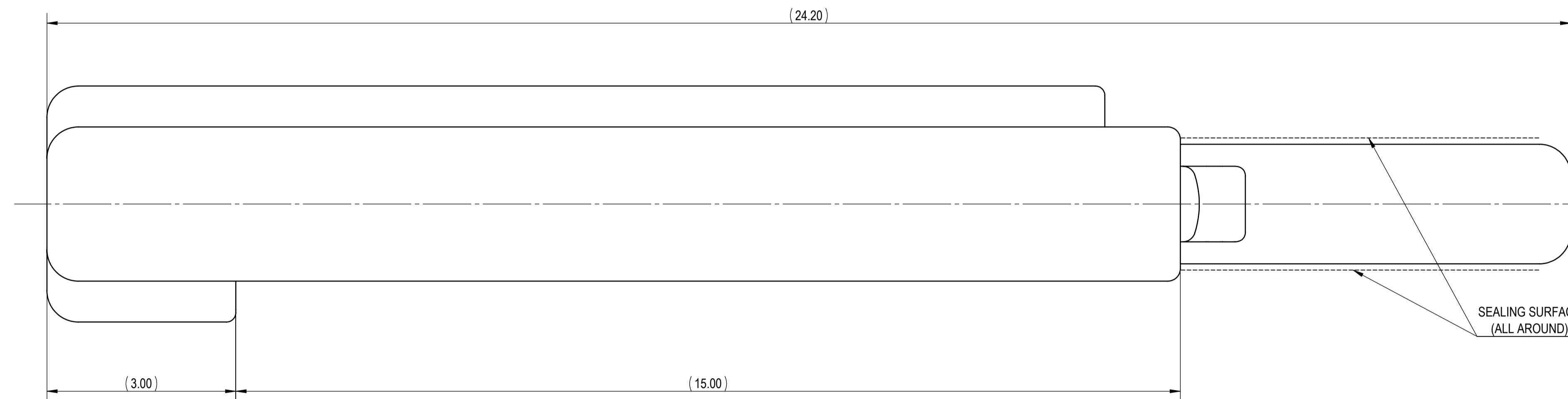
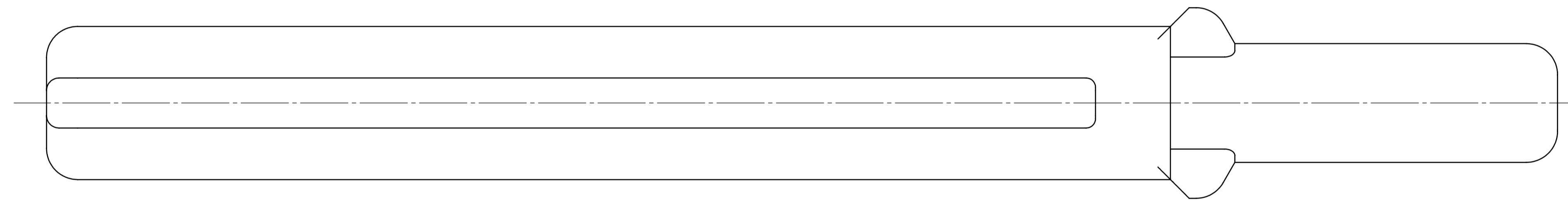
PART NUMBER	PART NAME	MATERIAL	COLOR	QUANTITY
7173-4535	1.5mm MALE MAT SEAL CAVITY PLUG	PBT-GF15	NATURAL	1



FRONT ISOMETRIC VIEW
(5/1)



REAR ISOMETRIC VIEW
(5/1)



SEALING SURFACE
(ALL AROUND)

NOTES:

- PARTS MUST BE PURCHASED FROM YAZAKI.
- PARTS MUST BE FREE OF FLASH AND IMPERFECTIONS THAT AFFECT FUNCTION.
- MATING PART NUMBER: 7288-8199-30, ETC.
- PART SATISFIES USCAR-2, REVISION 6, FEBRUARY 2013, (T3/V2/S2).
- PART TO COMPLY WITH YPES-31-038 REQUIREMENTS.
- THIS DRAWING IS TO BE USED FOR INTERNAL YAZAKI PSW SUBMISSION.
- HANDLING MANUAL NUMBER: YPES-15-1716E

ISSUE MARK

CUSTOMER		CUSTOMER DWG. NO.		MATERIAL SPEC.		TREAT. & FIN.	
CUSTOMER PART NO.				SEE TABLE		N/A	
OFFICE		TRIAL PART NO.		NAME			
YNA				1.5mm MALE MAT SEAL CAVITY PLUG			
VENDOR							
VENDOR NO.							
DWG. TYPE		DWG. SOURCE		DWG. DATE		UNIT	
R		7173-4535.M		02-08-2019		mm	
APPROVED		CHECKED		CHECKED		SCL	
COURTNEY DODGE		SAUL AMPARAN		DESIGN		DRAWN	
04-23-2018		02-13-2019		201		3	
PART NO.		7173-4535		PART NO.			
CH. CODE				7173-4535:R			
DWG NO.		7173-4535:R		YAZAKI CORPORATION			

GENERAL TOLERANCE											
	10MAX	50MAX	100MAX	250MAX	250OVR	R5 MAX	R10 MAX	R20 MAX	R20 OVR	ANGLE	ECCENT
A	±0.15	±0.20	±0.30	±0.50	±0.75					±3°	0.1
B	±0.20	±0.30	±0.55	±0.95	±1.40	±0.20	±0.30	±0.50	±2.50	±3°	0.15
©	±0.30	±0.50	±0.80	±1.40	±2.00					±3°	0.15
SPECIFIED											
MASS (0.18) g											

LET	DATE	NEW	C19-A106	S.A.
		REVISION RECORD	NO.	CHKD