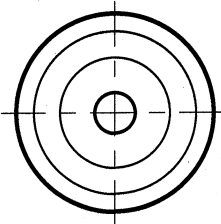
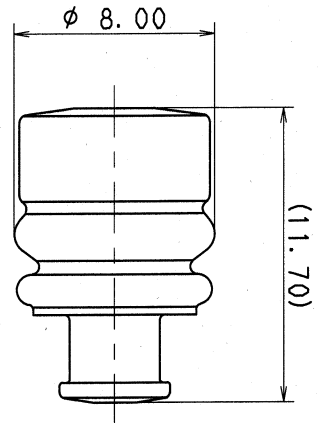
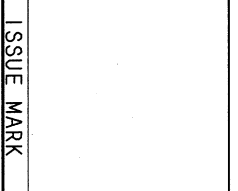


RUBBER PART GENERAL TOLERANCE			
PART DIM.	1	2	③
0 TO 3	± 0.2	± 0.3	± 0.4
3 TO 6	± 0.2	± 0.4	± 0.5
6 TO 10	± 0.3	± 0.5	± 0.6
10 TO 18	± 0.3	± 0.6	± 0.8
18 TO 30	± 0.4	± 0.8	± 1.0
30 TO 50	± 0.5	± 1.0	± 1.5
50 TO 80	± 0.6	± 1.2	± 2.0
80 TO 120	± 0.7	± 1.4	± 2.5
120 TO 180	± 0.8	± 1.6	± 3.0
180 TO 250	± 1.0	± 2.0	± 4.0
250 TO 315	± 1.2	± 2.5	± 5.0
315 TO 400	± 1.5	± 3.0	± 6.0
400 TO 500	± 1.8	± 3.5	± 7.0
500 OVER	± 0.4 %	± 0.8 %	± 1.5 %



注  
1) 適用電線サイズ: CAVS 1.25  
: AVSS 1.25~2  
: AVS 0.5~1.25  
: HFSS 2

NOTE  
1) APPLICABLE WIRE SIZE: CAVS 1.25  
: AVSS 1.25~2  
: AVS 0.5~1.25  
: HFSS 2



05/01/27	CHANGED NOTE	ETC.	C05-Z155	H. T	CUSTOMER	CUSTOMER PART NO.	CUSTOMER DWG NO.	MATL. SILICONE RUBBER	TREAT.
95/08/24	NEW		C95-M259	K. O	OFFICE	TRIAL PART NO.		SPEC. (DARK GRAY)	& FIN.
LET DATE	REVISION RECORD		NO.	CHKD	VENDOR NO.			NAME	4.8 (187) RUBBER STOPPER
	GENERAL TOLERANCE				DWG. TYPE	DWG. SOURCE	DWG. DATE	UNIT	SCL
A	±0.15	±0.2	±0.3	±0.5	±0.75	±30'	0.1	0.1	3
B	±0.2	±0.3	±0.55	±0.95	±1.4	±30'	0.1	0.1	3
C	±0.3	±0.5	±0.8	±1.4	±2	±30'	0.15	0.15	3
SPECIFIED									
10MAX 50MAX 100MAX 250MAX 250QVR ANGLE ECCENT									
APPROVED									
CHECKED									
DESIGN									
DRAWN									
MAEDA									
A. PACABIS									
Kompu Gakuza									
94/09/27 05/01/27									
YAZAKI CORPORATION									

