

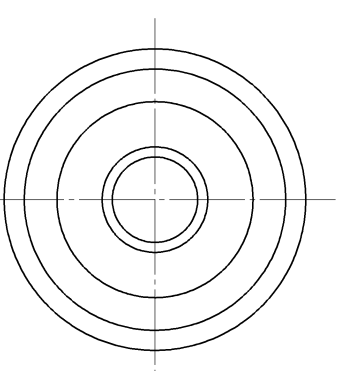
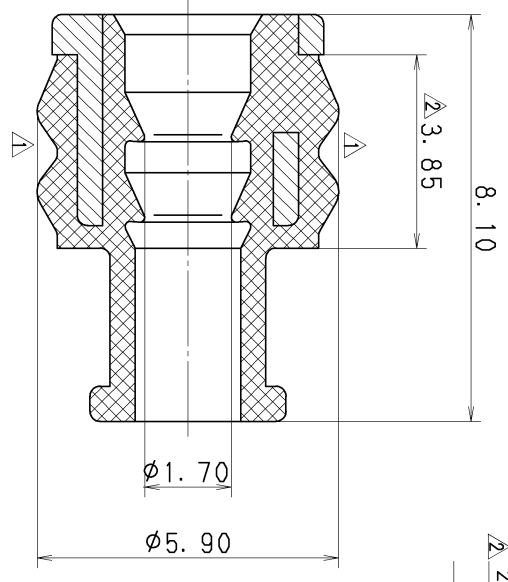
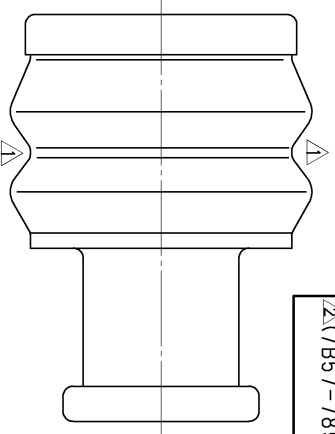
△ SUB ASSEMBLY PART NO. AND CH. CODE	NO.	PART NO.	PART NAME	MATERIAL	COLOR
7157-7899-90	①	7157-7898-80	REAR STOPPER	G-PET	BROWN
△(7B57-7899-90)	②		SEAL RUBBER	SELF-LUBRICATING SILICONE RUBBER	BLUE

注記

- △ 1. 適用電線サイズ  
AVS1. 25, AV1. 25, AEX(AVX) 1. 25, AVSS2, AV0. 85
- △ 2. エアパック回路及び特別管理回路に使用する場合は ( ) 内の品番が、適用されます。

△ NOTES

- 1. APPLICABLE WIRE SIZE:  
AVS1. 25, AV1. 25, AEX(AVX) 1. 25, AVSS2, AV0. 85
- △ 2. IN THE CASE OF AIR BAG CIRCUITS AND SPECIAL CONTROL CIRCUITS USE PART NO. ( ).



△ SEC. A-A

ISSUE MARK

△ 09.02.16	ADDED NOTES, ETC.	C09-Z136	T. W	CUSTOMER	PART NO.	CUSTOMER	DWG NO.	MATL. SPEC.	SEE TABLE	TREAT. & FIN.		
△ 90.02.06	CHANGED FORM	C90-L108	S. Y	OFFICE		STDLIB NO.		NAME	SWP-TYPE CONNECTOR			
87.07.20	NEW	7MC-0372	S. Y	VENDOR				SEAL RUBBER 1P ASSY (1.25)				
LET	DATE	REVISION RECORD	NO.	CHKD	VENDOR NO.	DWG TYPE	DWG SOURCE	DWG DATE	UNIT	SCL	ANGLE	
△ GENERAL TOLERANCE												
A	±0.15	±0.2	±0.3	±0.5	±0.75	±30'	±30'	0.1				
B	±0.2	±0.3	±0.55	±0.95	±1.4	±30'	±30'	0.1				
C	±0.3	±0.5	±0.8	±1.4	±2	±30'	±30'	0.15				
SPECIFIED												
				WEIGHT				9				
				CUSTOMER PART NO.		CUSTOMER DWG NO.		PART NO.		7157-7899-90 (7B57-7899-90) △		
				APPROVED		CHECKED		DESIGN		DRAWN		
				N. SUGIYAMA		T. WATANABE		YAMADA		S. CALDEA		
				09.02.16		09.02.16		87.07.20		09.02.16		
				1		2		3		YAZAKI CORPORATION		