

1

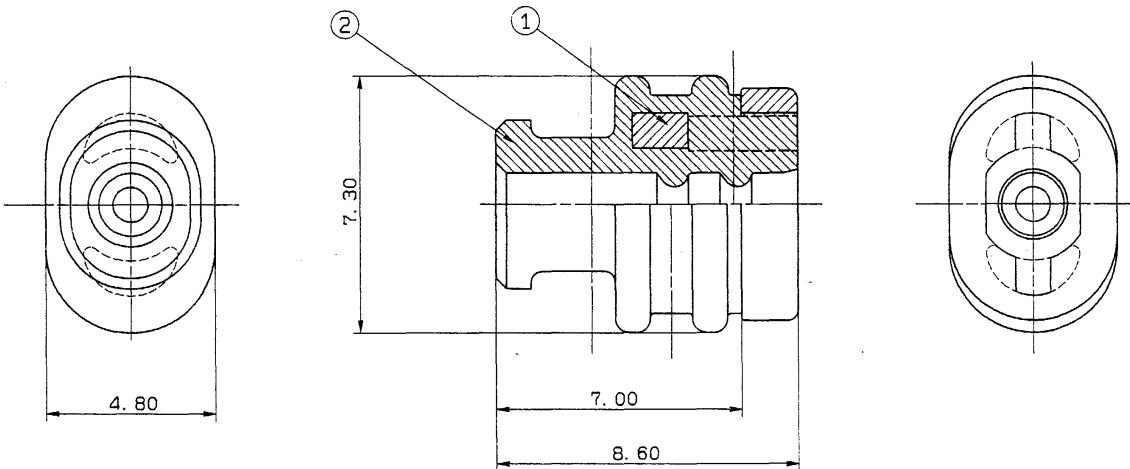
2

3

4

5

NO.	PARTS NO.	PARTS NAME	MATERIAL
①	7157-7932	DMS CONNECTOR REAR STOPPER	PBT (BROWN)
②		DMS CONNECTOR RUBBER STOPPER	SILICONE RUBBER (BLACK)



NOTES

- 1) APPLICABLE HOUSING NO. : 7223-7865-30
7223-7866-30
- 2) APPLICABLE TERMINAL NO. : 7116-1520, -1520-08
7116-1521, -1521-08
- 3) APPLICABLE WIRE SIZE : AVSSX 0.5f ~ 0.75f
(COVERED CONDUCTOR DIAMETER : ϕ 1.6 ~ ϕ 1.8)

注記

- 1) 適用ハウジング品番 : 7223-7865-30
7223-7866-30
- 2) 適用ターミナル品番 : 7116-1520, -1520-08
7116-1521, -1521-08
- 3) 適用電線サイズ : AVSSX 0.5f ~ 0.75f
(被覆電線外径 : ϕ 1.6 ~ ϕ 1.8)



LET	DATE	REVISION RECORD	NO.	CHKD
	90.02.26	NEW	C90-6204	S. I

GENERAL TOLERANCE							
	10MAX	50MAX	100MAX	250MAX	2500VR	ANGLE	ECCENT
A	± 0.15	± 0.2	± 0.3	± 0.5	± 0.75	$\pm 30'$	0.1
B	± 0.2	± 0.3	± 0.55	± 0.95	± 1.4	$\pm 30'$	0.1
C	± 0.3	± 0.5	± 0.8	± 1.4	± 2	$\pm 30'$	0.15

CUSTOMER		MATERIAL SPEC.		TREAT. & FIN.	
CUSTOMER PART NO.		CUSTOMER DWG NO.		SEE TABLE	
OFFICE		STDLIB NO.		NAME	
VENDOR		VENDOR NO.		DMS CONNECTOR	
DWG TYPE		DWG SOURCE	DWG DATE	UNIT	SCL
R	NEW	90.02.26	m	10/1	3
APPROVED		CHECKED	CHECKED	DESIGN	DRAWN
河野		三	相	ISHIZUKA	ISHIGAMI
SPECIFIED		WEIGHT		PART NO.	
		g		7157-3891	
		90.02.27		DWG NO. 7157-3891:R	
		90.02.27		TRIAL PART NO.	
		90.02.26		YAZAKI CORPORATION	
		90.02.26			

1

2

3

4

5