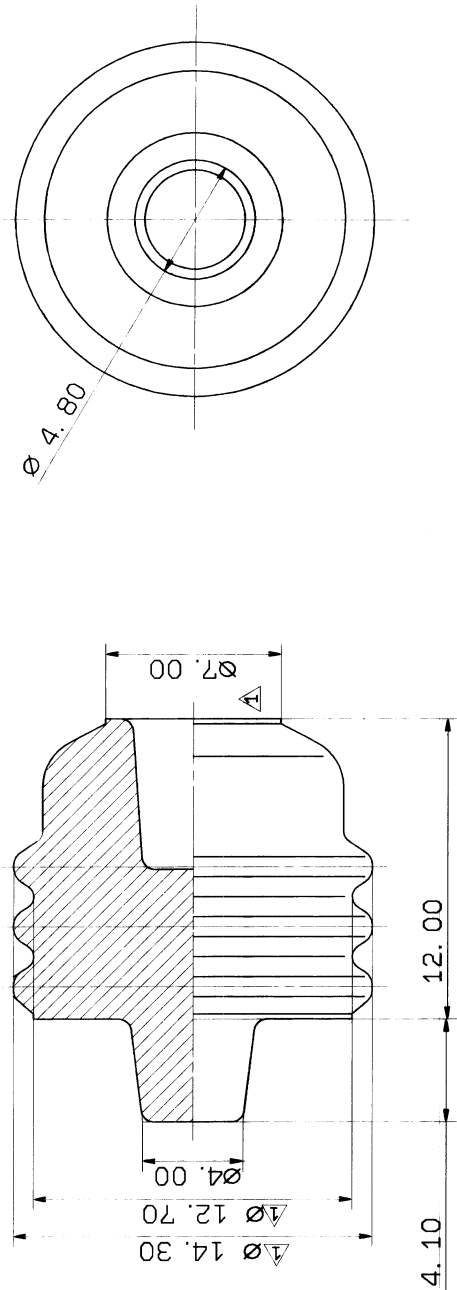


1 2 3



MATERIAL: SELF-LUBRICATING SILICONE RUBBER (BLACK)		TREATMENT: & FIN.	
NAME: Y TYPE CONNECTOR CAVITY PLUG			
CUSTOMER PART NO.		CUSTOMER DWG NO.	
OFFICE		STDLIB NO.	
VENDOR		VENDOR NO.	
DWG TYPE	DWG SOURCE	DWG DATE	UNIT
R	NEW	90.03.13	mm
APPROVED	CHECKED	DESIGN	DRAWN
辻井 裕美	辻井 裕美	SHINJI	真一
92.05.19	92.05.19	90.03.13	92.05.19
GENERAL TOLERANCE		SCL	
10MAX	50MAX	100MAX	2500V/R
±0.15	±0.2	±0.3	±0.5
±0.2	±0.3	±0.55	±0.95
±0.3	±0.5	±0.8	±1.4
±0.3	±0.5	±0.8	±1.4
ECCENT		ANGLE	
0.1	±30'	±0.75	
0.1	±30'	±1.4	
0.15	±30'	±2	
WEIGHT		9	
SPECIFIED		1	
PART NO.		7157-3583	
DWG NO.		7157-3583:R	
TRIAL PART NO.		7F9057-6178	
YAZAKI CORPORATION			
ISSUE MARK		3	