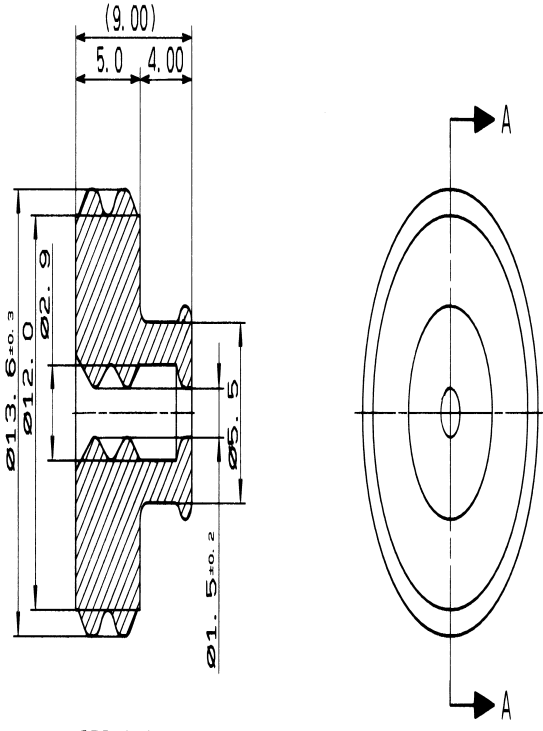


1 2 3



SEC. A-A

1. 適用型番: 7114-3251
7116-3251
2. 適用仕入れ: $\phi 2.5 \sim \phi 3.5$

- NOTES
1. APPLICABLE TERMINAL NO.
: 7114-3251, 7116-3251
2. OUTER DIMENSION OF APPLICABLE WIRE
: $\phi 2.5 \sim \phi 3.5$

ISSUE MARK

		CUSTOMER		MATERIAL: SELF-LUBRICATED SILICONE RUBBER (COLOR: LIGHT BLUE)		TREATMENT: FIN.	
		CUSTOMER PART NO.		CUSTOMER DWG NO.			
91.04.15		NEW		C91-L316 T.M		NAME Y TYPE CONNECTOR	
LET	DATE	REVISION RECORD	NO.	CHKD	OFFICE	STD LIB NO.	
GENERAL TOLERANCE				VENDOR			
				VENDOR NO.			
	10MAX	50MAX	100MAX	250MAX	250OVR	ANGLE	ECCENT
A	± 0.15	± 0.2	± 0.3	± 0.5	± 0.75	$\pm 30^\circ$	0.1
B	± 0.2	± 0.3	± 0.55	± 0.95	± 1.4	$\pm 30^\circ$	0.1
ϕ	± 0.3	± 0.5	± 0.8	± 1.4	± 2	$\pm 30^\circ$	0.15
SPECIFIED				WEIGHT			
		河津		A.ES		KUSUNOKI T. MAKITA	
		91.04.16		91.04.15		87.12.25 91.04.11	
		R		NEW		91.04.11 mm 5/1 3	
		APPROVED		CHECKED		DESIGN DRAWN	
		DWG NO. 7157-3582-90		TRIAL PART NO.		7157-3582-90:R	
YAZAKI CORPORATION							

1 2 3