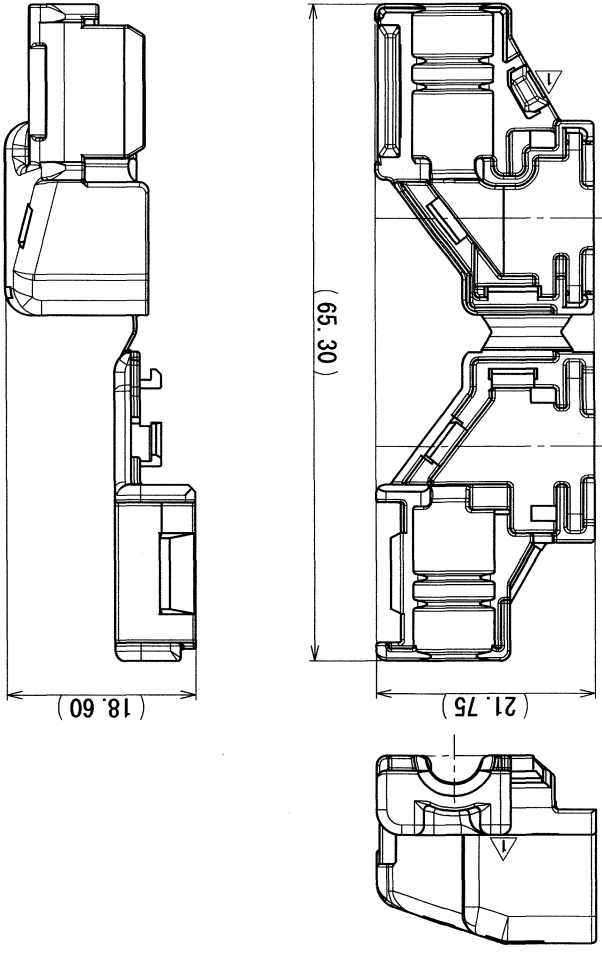


2007/06/20	2007/04/20	CHANGED FORM	C07-2562	M.N	CUSTOMER PART NO.	CUSTOMER
2007/04/20	NEW	NEW	C07-2324	M.N	OFFICE	
LET	DATE	REVISION RECORD	NO.	CHKD	VENDOR	VENDOR NO.
GENERAL TOLERANCE						
10MAX	50MAX	100MAX	250MAX	250OVR	ANGLE	ECCENT
±0.15	±0.2	±0.3	±0.5	±0.75	±30'	±0.1
A	±0.15	±0.2	±0.3	±0.5	±0.75	±30'
B	±0.2	±0.3	±0.55	±0.95	±1.4	±30'
C	±0.3	±0.5	±0.8	±1.4	±2	±30'
SPECIFIED						
C07.06.21						
M.NAGANO						
C.REPOLLO						
2007/06/20						
2006/07/31						
2007/06/20						
YAZAKI CORPORATION						

GENERAL TOLERANCE										
10 MAX	50 MAX	100 MAX	250 MAX	250 OVR	R5 MAX	R10 MAX	R20 MAX	R20 OVR	ANGLE	ECCENT
±0.15	±0.2	±0.3	±0.5	±0.75	±0.2	±0.3	±0.5	±2.5	±3°	±0.1
A	±0.15	±0.2	±0.3	±0.5	±0.75	±0.2	±0.3	±0.5	±3°	±0.1
B	±0.2	±0.3	±0.55	±0.95	±1.4	±0.2	±0.3	±0.5	±3°	±0.1
C	±0.3	±0.5	±0.8	±1.4	±2	±0.2	±0.3	±0.5	±3°	±0.15
TREAT. & FIN										
M.T.L. PBT (LIGHT GRAY)										
SPEC.										
NAME										
2.3 II 2P HIGH VIBRATION RESISTANCE										
SEALD CONNECTOR COVER FEMALE										
PART NO. 7134-8832-40										
CH. CODE 3										
DMG NO. 7134-8832-40:R										
SET DMG NO.										



- 注記
- 適用口径：φ5
  - 適用物品番：7287-1495-40 ETC.
- NOTES
- APPLICABLE CORRUGATED TUBE DIAMETER : φ5
  - APPLICABLE CONNECTOR NO. : 7287-1495-40 ETC.

1  
2  
3

1  
2  
3