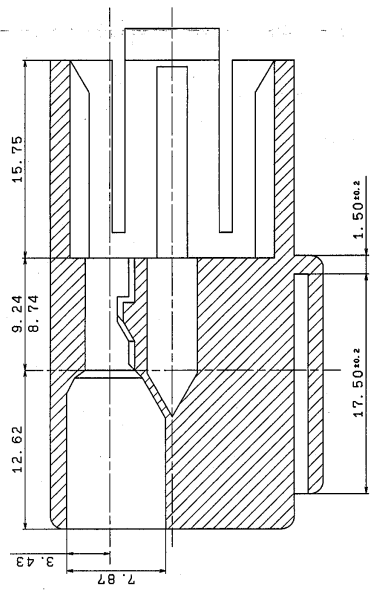
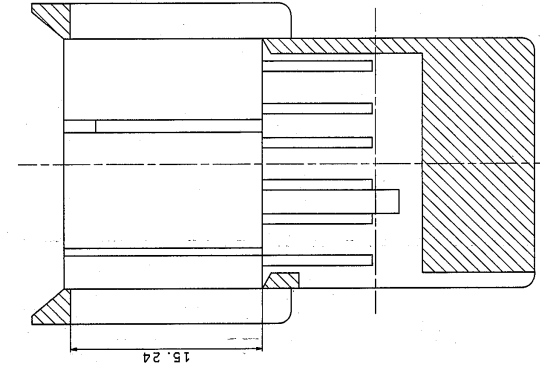


YAZAKI NO.	7128-3068	COLOR	BROWN
------------	-----------	-------	-------

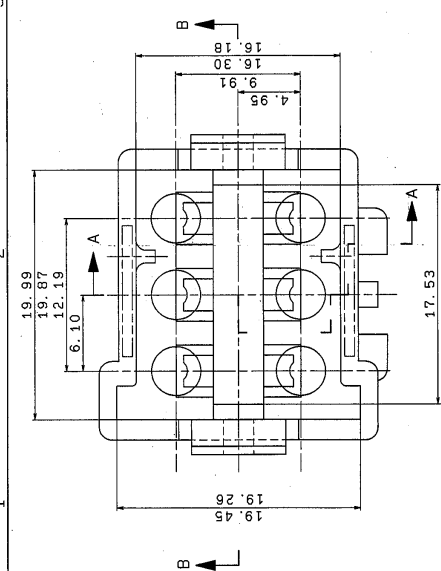
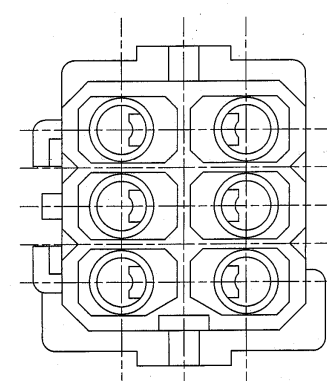
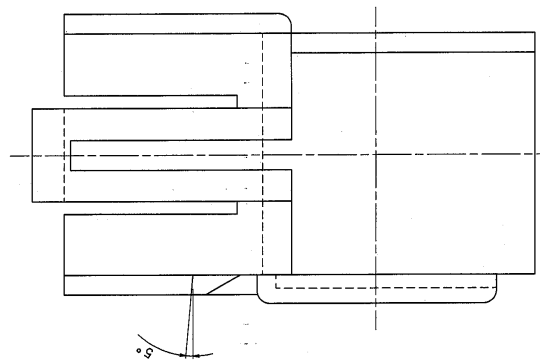
1 2 3 4 5 6 7



SEC. A-A



SEC. B-B



NOTE
1. MATERIAL
NORYL-PX-0844

注記
1. 材質
NORYL-PX-0844

CUSTOMER	YAZAKI CORPORATION
CUSTOMER PART NO.	7128-3068
OFFICE	YAZAKI
VENDOR	YAZAKI
TRIAL PART NO.	
CUSTOMER DWS NO.	
MATL. SPEC.	NORYL-PX-0844
SEE NOTE	
TREAT. & FIN.	
NAME	6 WAY CONNECTOR
DATE	73.12.14
DRW. NO.	73.12.14
DESIGN	S. TANABE
CHECKED	
APPROVED	
DWG. DATE	72.09.20
UNIT	MM
SCALE	1/1
SET DWS NO.	7128-3068
SET DWS NO.	7128-3068
ISSUE MARK	

GENERAL TOLERANCE	FORM	MAX. PERMISSIBLE	MIN. PERMISSIBLE	APPROXIMATE	REMARKS
A	±0.15	±0.2	±0.1	±0.15	
B	±0.2	±0.3	±0.15	±0.2	
C	±0.3	±0.5	±0.15	±0.3	
D	±0.5	±0.8	±0.2	±0.5	
E	±0.8	±1.2	±0.4	±0.8	
F	±1.2	±2.0	±0.6	±1.2	
G	±2.0	±3.0	±1.0	±2.0	
H	±3.0	±5.0	±1.5	±3.0	
I	±5.0	±8.0	±2.0	±5.0	
J	±8.0	±12.0	±3.0	±8.0	
K	±12.0	±20.0	±4.0	±12.0	
L	±20.0	±30.0	±6.0	±20.0	
M	±30.0	±50.0	±9.0	±30.0	
N	±50.0	±80.0	±12.0	±50.0	
O	±80.0	±120.0	±18.0	±80.0	
P	±120.0	±200.0	±24.0	±120.0	
Q	±200.0	±300.0	±36.0	±200.0	
R	±300.0	±500.0	±54.0	±300.0	
S	±500.0	±800.0	±84.0	±500.0	
T	±800.0	±1200.0	±120.0	±800.0	
U	±1200.0	±2000.0	±180.0	±1200.0	
V	±2000.0	±3000.0	±240.0	±2000.0	
W	±3000.0	±5000.0	±360.0	±3000.0	
X	±5000.0	±8000.0	±540.0	±5000.0	
Y	±8000.0	±12000.0	±840.0	±8000.0	
Z	±12000.0	±20000.0	±1200.0	±12000.0	

LET	DATE	REVISION	RECORD	NO.	CHKD
		NEW			M.M.

1 2 3 4 5 6 7