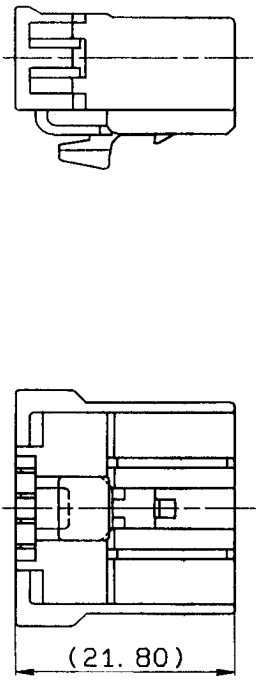
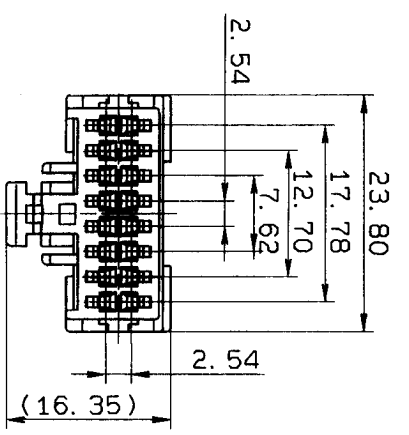


PART NO.	7123-7169	COLOR	NATURAL
	7123-7169-30		BLACK



91.04.15		NEW	C91-L319	T.M	OFFICE	CUSTOMER	
LET DATE		REVISION RECORD	NO.	CHKD	VENDOR	CUSTOMER PART NO.	CUSTOMER DWG NO.
GENERAL TOLERANCE							
10MAX	50MAX	100MAX	250MAX	2500VR	ANGLE	ECCENT	
A ±0.15	±0.2	±0.3	±0.5	±0.75	±30°	0.1	
B ±0.2	±0.3	±0.55	±0.95	±1.4	±30°	0.1	
① ±0.3	±0.5	±0.8	±1.4	±2	±30°	0.15	
SPECIFIED		WEIGHT		9		1	
				91.04.25		91.04.23	
				91.04.23		91.04.23	
				87.02.17		91.04.15	
				T. WATANABE		T. MAKITA	
				R		NEW	
				APPROVED		CHECKED	
				CHECKED		CHECKED	
				DESIGN		DRAWN	
				DWG TYPE		DWG SOURCE	
				DWG DATE		UNIT	
				SCL		ANGLE	
				PART NO.		7123-7169 ETC.	
				DWG NO.		7123-7169:R	
				TRIAL PART NO.			
				YAZAKI CORPORATION			
				MATERIAL		PBT	
				SPEC.			
				NAME		SP 16P HOUSING 2	
				TREAT.		& FIN.	
				ISSUE MARK			

1

2

3

1

2

3

A

B

A

B