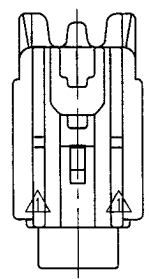


1 2 3

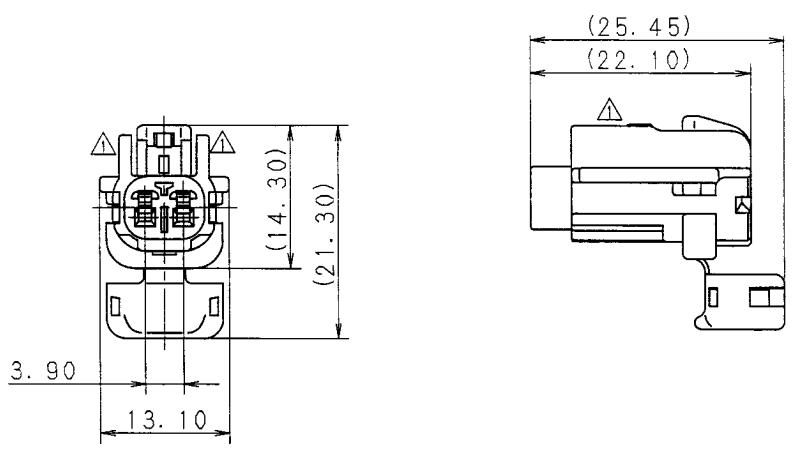
注記

- △ 1. 嵌合相手品番 : 7222-6524-40 (7C22-6524-40)
- △ 2. 適用端子品番 : 7116-1767-02 (7B16-1767-02) ETC.
- △ 3. 適用ゴム検品番 : 7157-3976-60, 7157-3977-50 (7B57-3977-50)
- △ 4. () 内品番は、エアバッグ (A/B) 回路及び特別管理回路に使用する時に適用すること。



NOTES

- △ 1. MATING PART NO. : 7222-6524-40 (7C22-6524-40)
- △ 2. APPLICABLE TERMINAL NO. : 7116-1767-02 (7B16-1767-02) ETC.
- △ 3. APPLICABLE SEAL RUBBER NO. : 7157-3976-60, 7157-3977-50 (7B57-3977-50)
- △ 4. PART NUMBERS IN PARENTHESIS SHALL BE USED FOR AIR BAG (A/B) CIRCUITS AND OTHER CIRCUITS DESIGNATED FOR SPECIAL MONITORING.



ISSUE MARK

△ 98.10.27		ADDED A/B PART NO.	C98-M820	K. U	CUSTOMER	MATERIAL SPEC. PBT (LIGHT GRAY)		TREAT. & FIN.
△ 96.10.22		CHANGED FROM, △	C96-M387	H. A	CUSTOMER PART NO.	NAME RV-TYPE CONNECTOR		
93.05.10		NEW	C93-L528	H. F	CUSTOMER DWG NO.	2PF (GY) HOUSING		
LET	DATE	REVISION RECORD	NO.	CHKD	OFFICE	TRIAL PART NO.		
GENERAL TOLERANCE					VENDOR	VENDOR NO.		
	10MAX	50MAX	100MAX	250MAX	250QVR	ANGLE	ECCENT	DWG TYPE
A	±0.15	±0.2	±0.3	±0.5	±0.75	±30'	0.1	R
B	±0.2	±0.3	±0.55	±0.95	±1.4	±30'	0.1	APPROVED
◎	±0.3	±0.5	±0.8	±1.4	±2	±30'	0.15	CHECKED
SPECIFIED				MASS	9	98.11.11	98.11.05	92.11.18
						K. ABE		YOSHIDA
						7123-6524-40 : R		SET DWG NO.
						YAZAKI CORPORATION		

1 2 3