

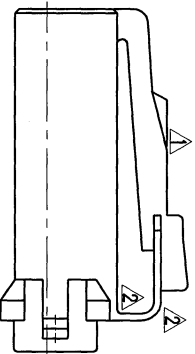
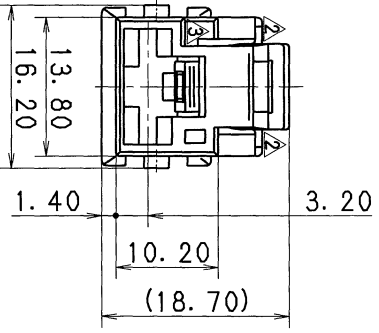
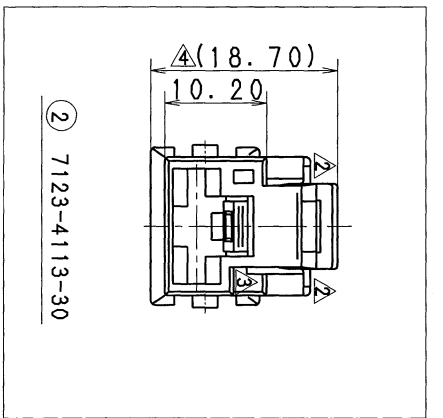
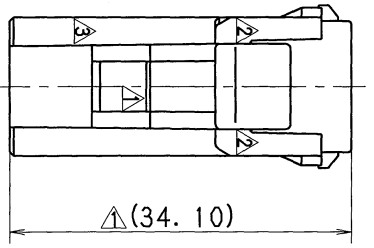
NO.	PART NO. AND CH. CODE	MATERIAL (COLOR)	APPLICABLE REAR HOLDER NO.	MATING PART NO.
①	7123-4110	PA66 (NATURAL)	7157-6411-70	7122-4110
②	7123-4113-30	PA66 (BLACK)	7157-6411-40	7122-4113-30

△ 注記

1. 適用端子品番 : 7116-3250 ETC.

△ NOTE

1. APPLICABLE TERMINAL NO. : 7116-3250 ETC.



① 7123-4110

△	11.08.28	DELETED DIMENSION ETC.	C11-Z603	R. E
△	03.07.22	CORRECTION OF A CLERICAL ERROR OF THE SHAPE	C03-X447	O. S
△	01.06.11	CHANGED FORM	C01-X589	H. Y
△	92.11.25	CHANGED FORM & RENEW NEW	C92-M051	M. M
LET	88.07.12	REVISION RECORD	8MC-3038	S. Y
	DATE		NO.	CHKD

GENERAL TOLERANCE

	10MAX	50MAX	100MAX	250MAX	500OVR	ANGLE	ECCENT
A	±0.15	±0.2	±0.3	±0.5	±0.75	±30'	0.1
B	±0.2	±0.3	±0.55	±0.95	±1.4	±30'	0.1
C	±0.3	±0.5	±0.8	±1.4	±2	±30'	0.15

SPECIFIED

MASS

9

CUSTOMER	CUSTOMER PART NO.	CUSTOMER DWG NO.
OFFICE	TRIAL PART NO.	VENDOR
DATE	APPROVED	CHECKED
11.08.28	K. URANO	INABA
DATE	CHECKED	DESIGN
11.08.28		R. EVANGELISTA

MATL. SPEC.	SEE TABLE	TREAT. & FIN.	ISSUE MARK
NAME	L TYPE HOUSING 1PF		
PART NO.	7123-4110 ETC. <th>PART NO.</th> <td>7123-4110:R</td>	PART NO.	7123-4110:R
CH. CODE		CH. CODE	
DWG NO.	7123-4110:R	DWG NO.	7123-4110:R
SET DWG NO.		SET DWG NO.	
	YAZAKI CORPORATION		

1 2 3